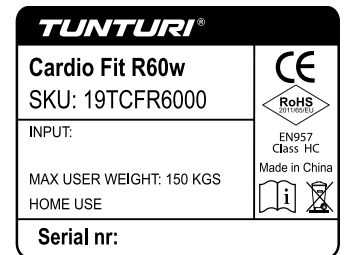


# TUNTURI®

## Cardio Fit R60w

GB	User manual	13 - 19
DE	Benutzerhandbuch	21 - 27
FR	Manuel de l'utilisateur	28 - 35
NL	Gebruikershandleiding	36 - 43
IT	Manuale d'uso	44 - 51
ES	Manual del usuario	52 - 58
SV	Bruksanvisning	59 - 65
SU	Käyttöohje	66 - 72



**Attention, Achtung, Attention, Attentie, Attenzione, Atención, Giv akt, Huomio**

- Please read this Owner's manual before assembling this product.
- Bitte lesen Sie dieses Handbuch durch, bevor Sie mit der Montage dieses Produkts beginnen.
- Veuillez lire ce manuel avant de commencer le montage de ce produit.
- Leest u deze handleiding voordat u dit apparaat installeert.
- Leggere questo manuale prima di assemblare questo prodotto.
- Lea este manual antes de montar este producto
- Läs bruksanvisningen innan du monterar denna produkt
- Lue tämä käsikirja ennen kokoamista tuotetta

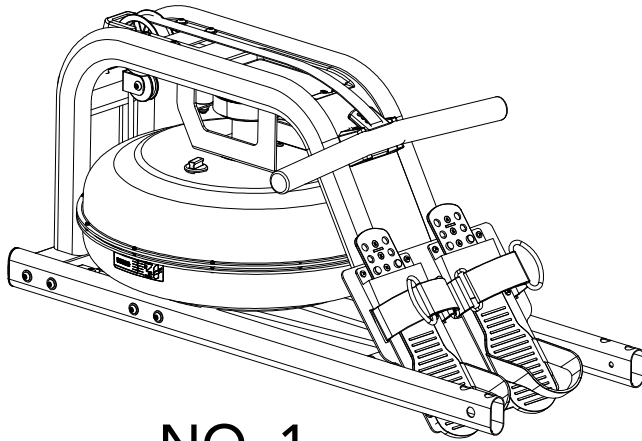




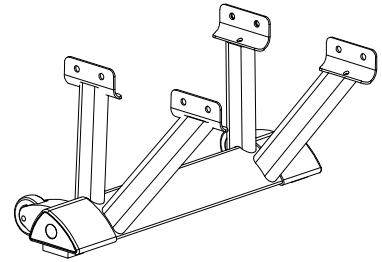
A



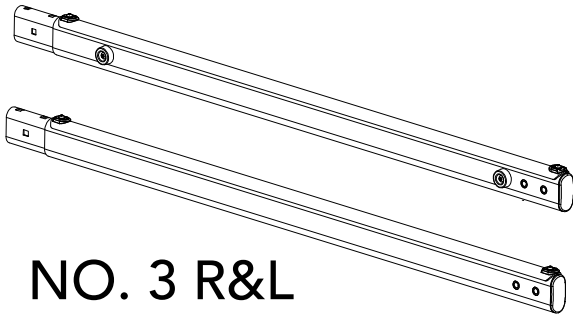
**B**



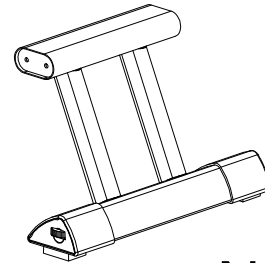
NO. 1



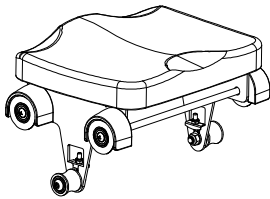
NO. 2



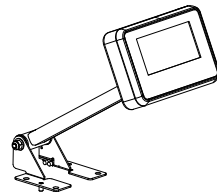
NO. 3 R&L



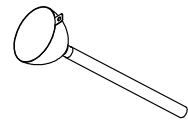
NO. 4



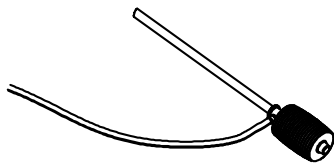
NO. 36



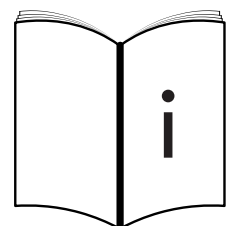
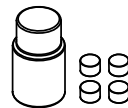
NO. 46




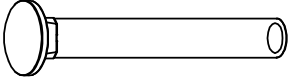
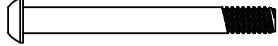
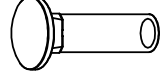


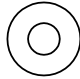
NO. 90



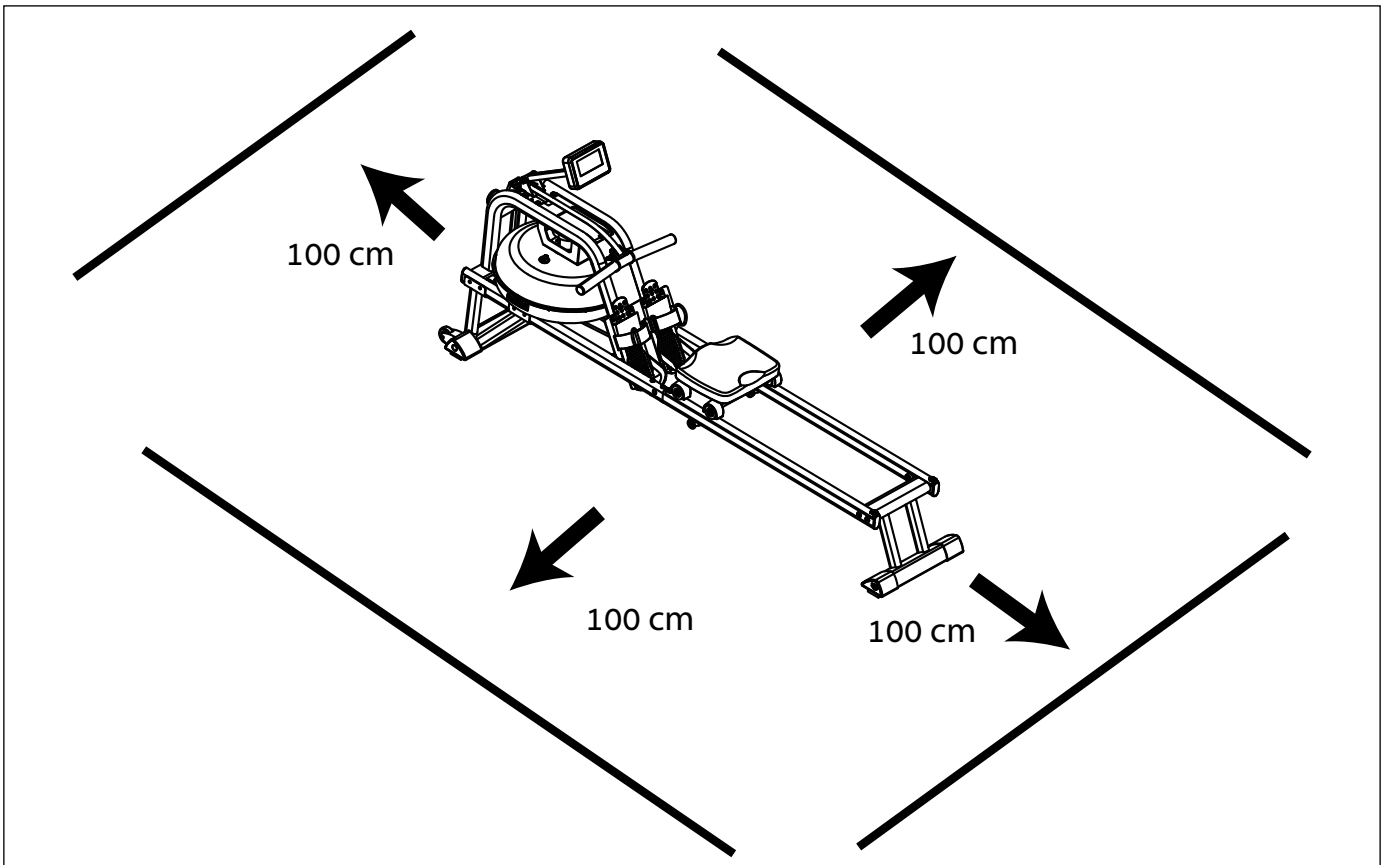
NO. 89



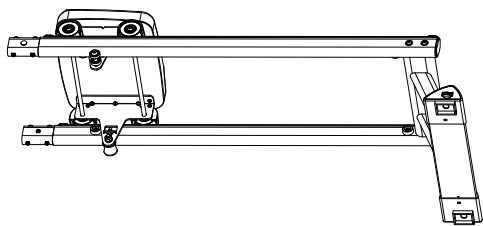
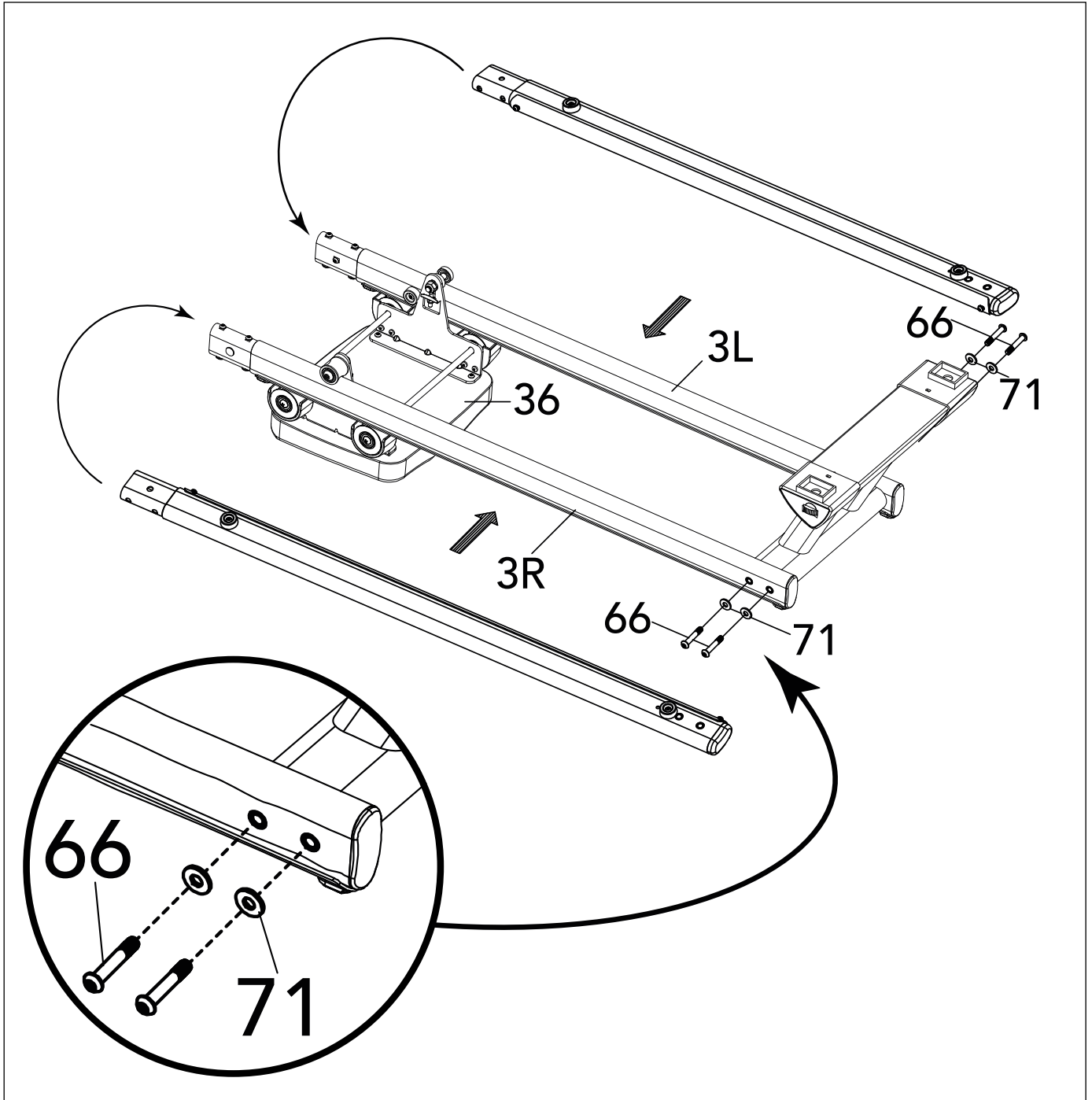
C


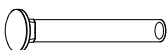
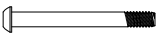
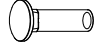



 <p>#60 M8x15 12x</p>	 <p>#77 M8x57 4x</p>
 <p>#66 M8x45 4x</p>	 <p>#78 M8x27 2x</p>
 <p>#67 M6x15 6x</p>	 <p>#91 S 5 1x</p>
 <p>#71 Ø20xØ8,5x1.5 16x</p>	

D-0

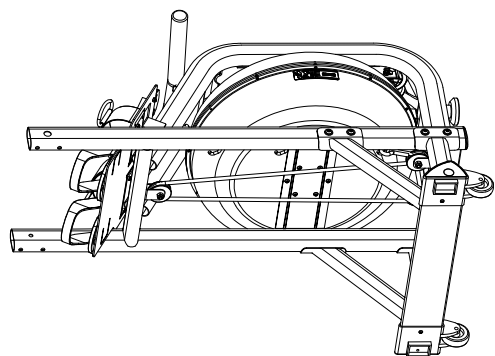
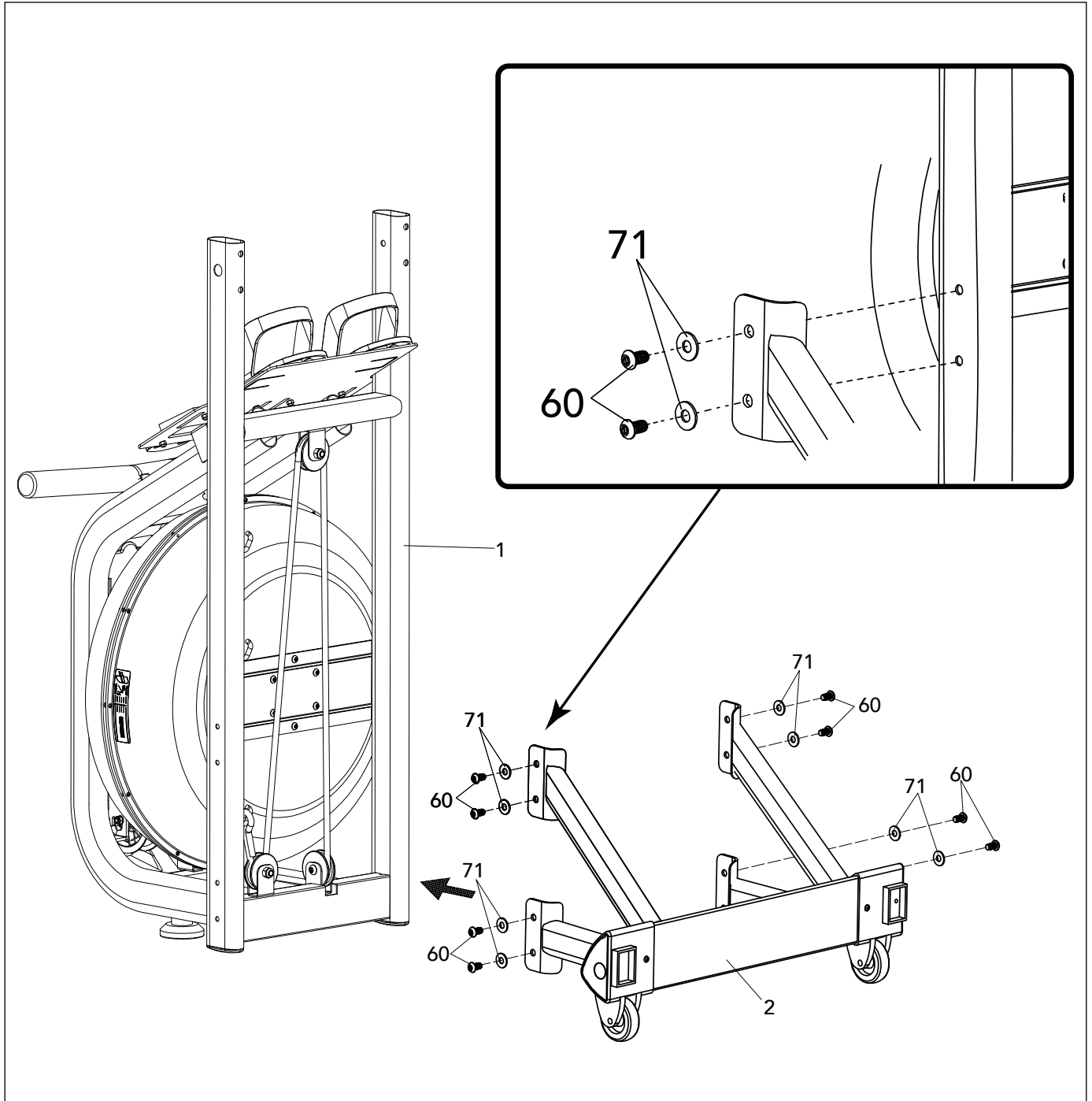



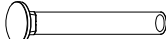





# D-1



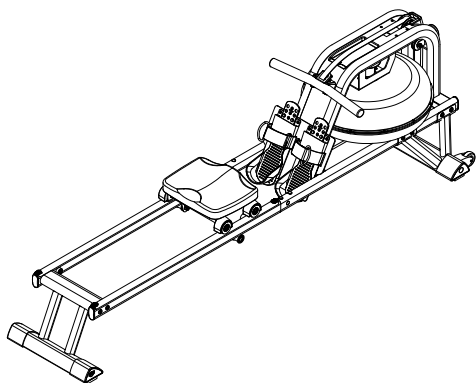
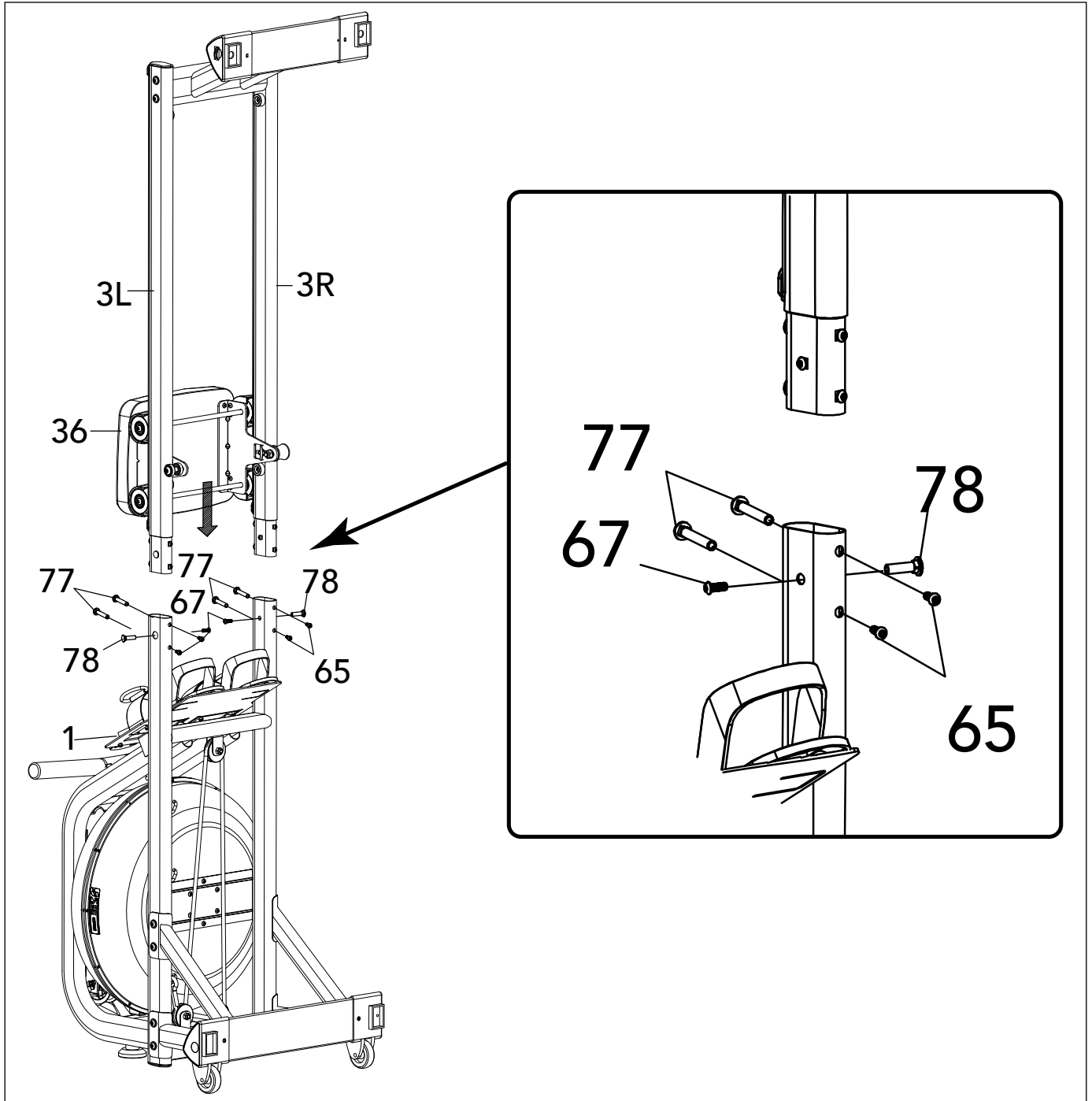
 #60 M8x15 12x	 #77 M8x57 4x
 #66 M8x45 4x	<b>4x</b>  #78 M8x27 2x
 #67 M6x15 6x	 #91 S 5 1x
 #71 Ø20xØ8,5x1.5 16x	<b>4x</b>


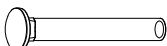





D-2



 #60 M8x15 12x	<b>8x</b>	 #77 M8x57 4x
 #66 M8x45 0x		 #78 M8x27 2x
 #67 M6x15 6x		 #91 S 5 1x
 #71 Ø20xØ8,5x1,5 12x	<b>8x</b>	

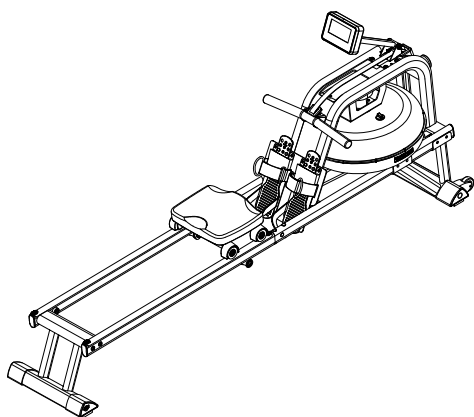
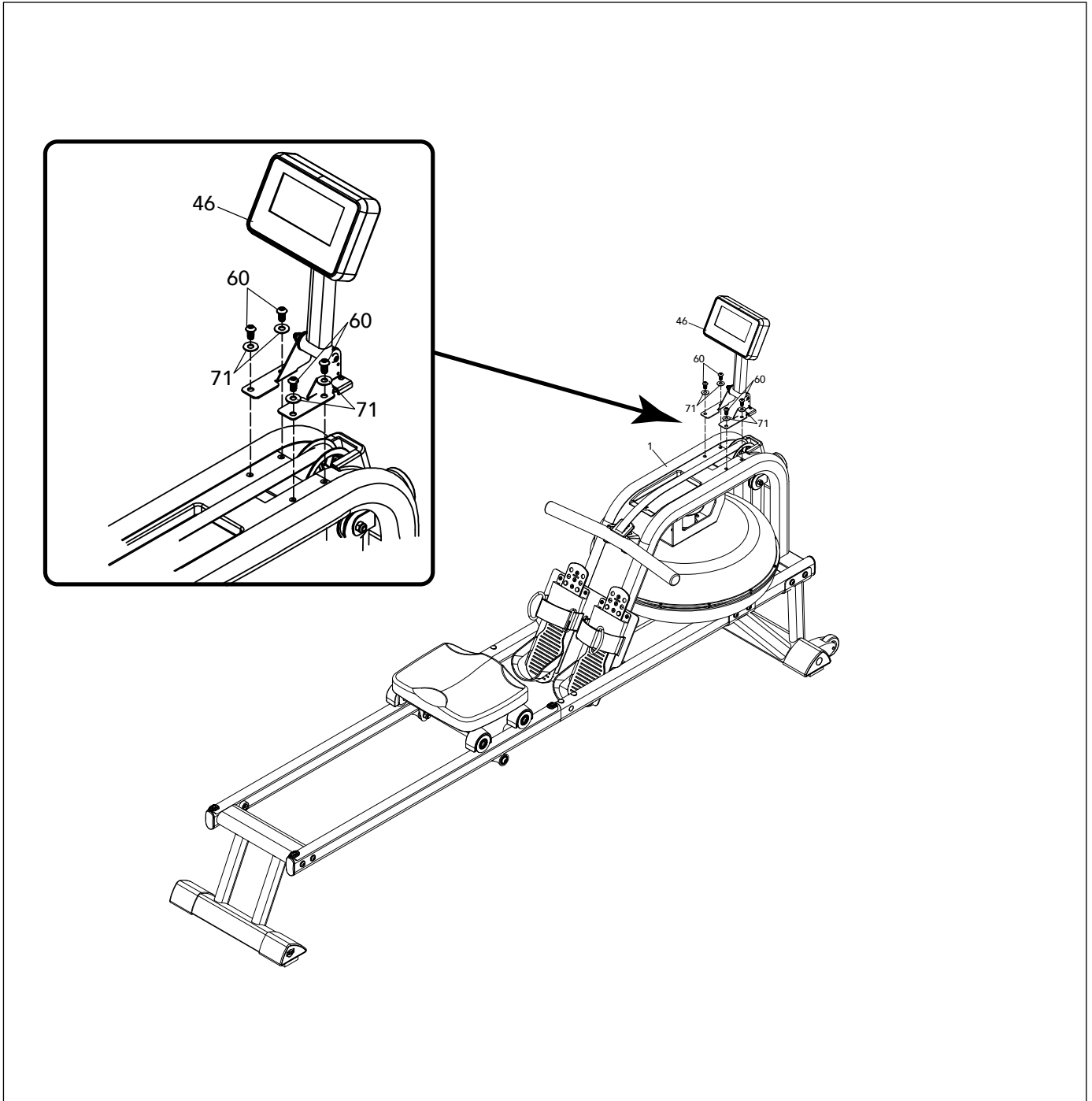
# D-3




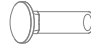





 #60 M8x15 4x	 #77 M8x57 4x	<b>4x</b>
 #66 M8x45 0x	 #78 M8x27 2x	<b>2x</b>
 #67 M6x15 6x	 #91 S 5 1x	<b>6x</b>
 #71 Ø20xØ8,5x1,5 4x		

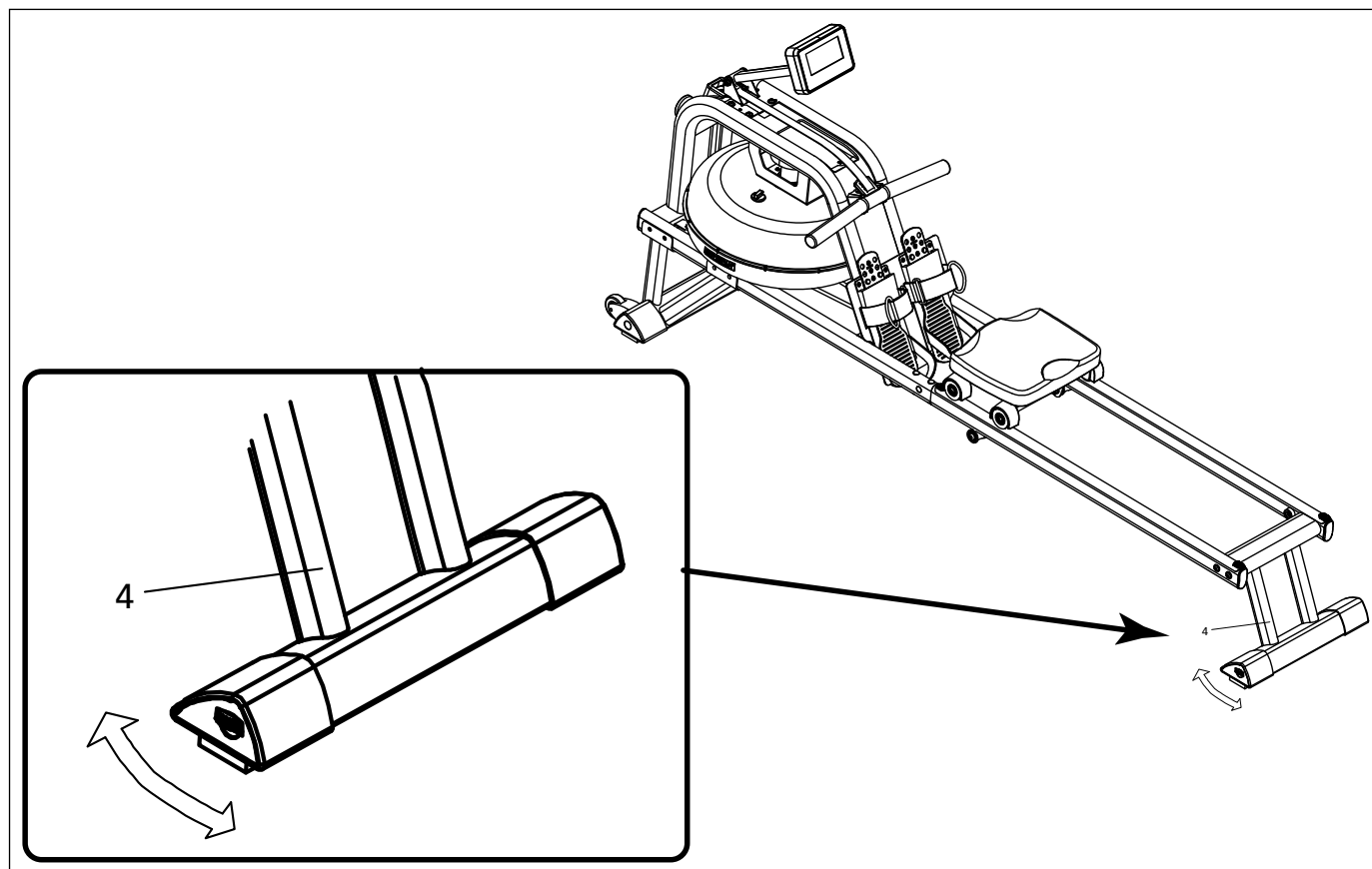


# D-4

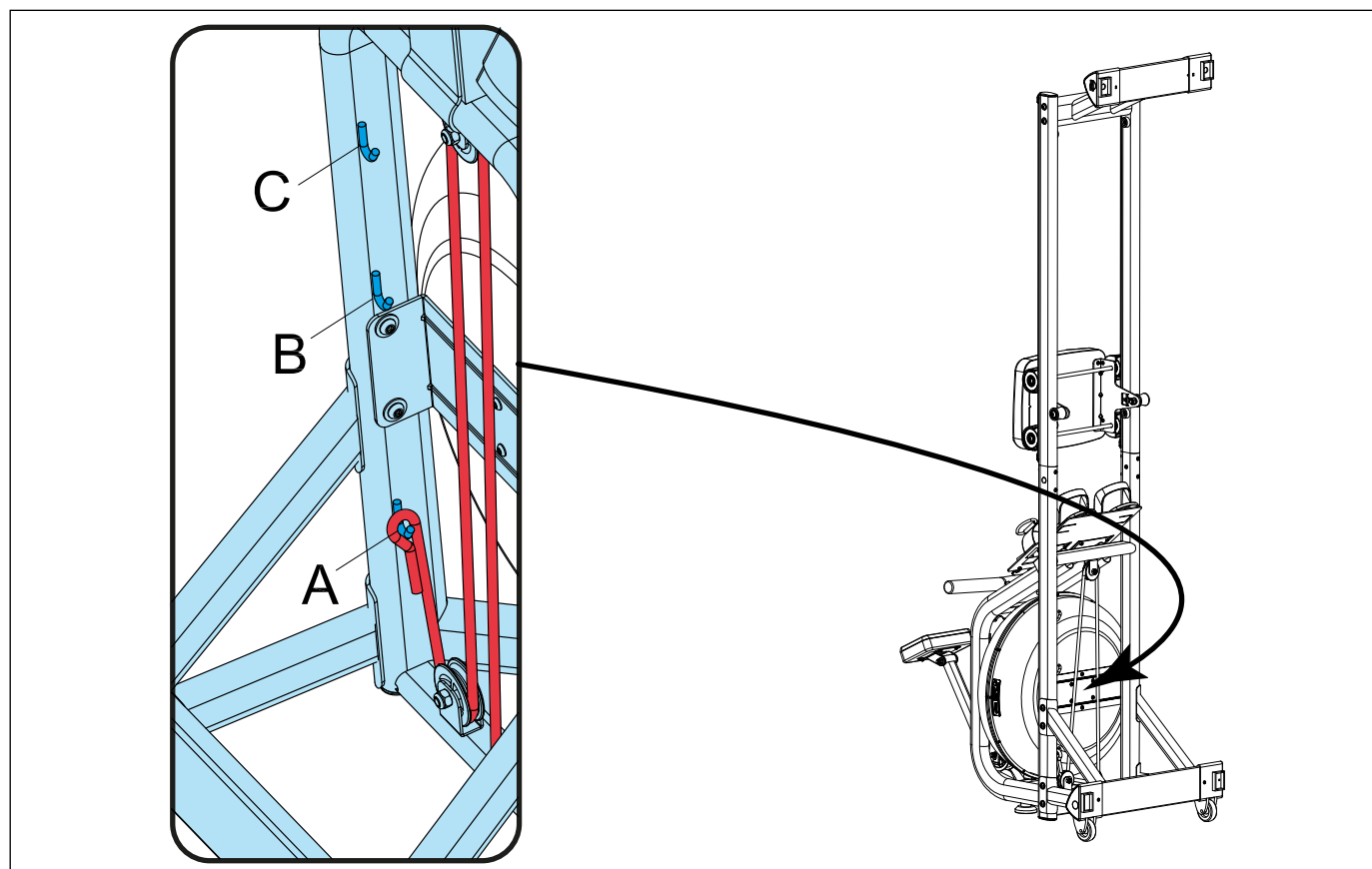


 #60 M8x15 4x	<b>4x</b>	 #77 M8x57 0x
 #66 M8x45 0x		 #78 M8x27 0x
 #67 M6x15 0x		 #91 S 5 1x
 #71 Ø20xØ8,5x1,5 4x	<b>4x</b>	

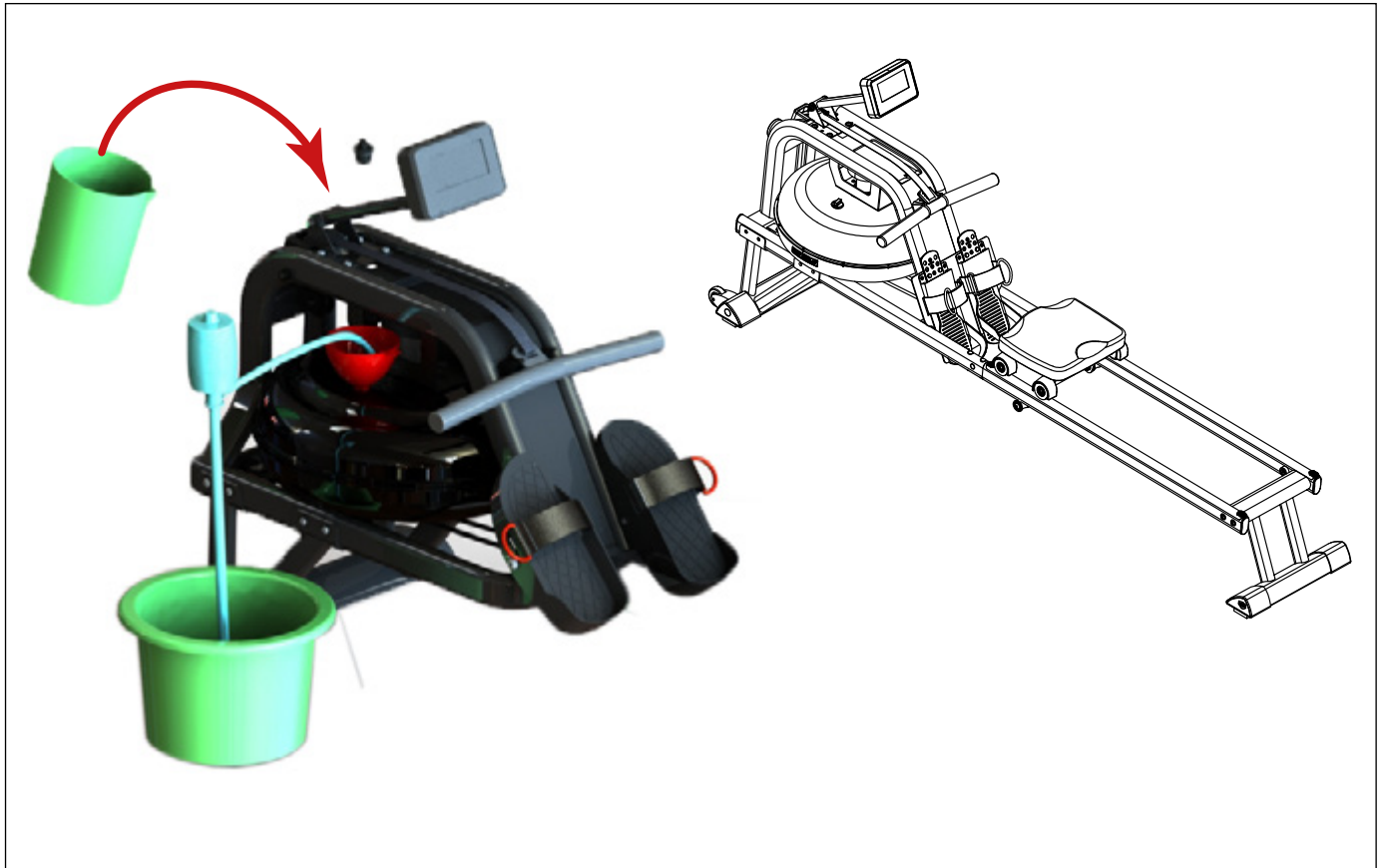
# E-1



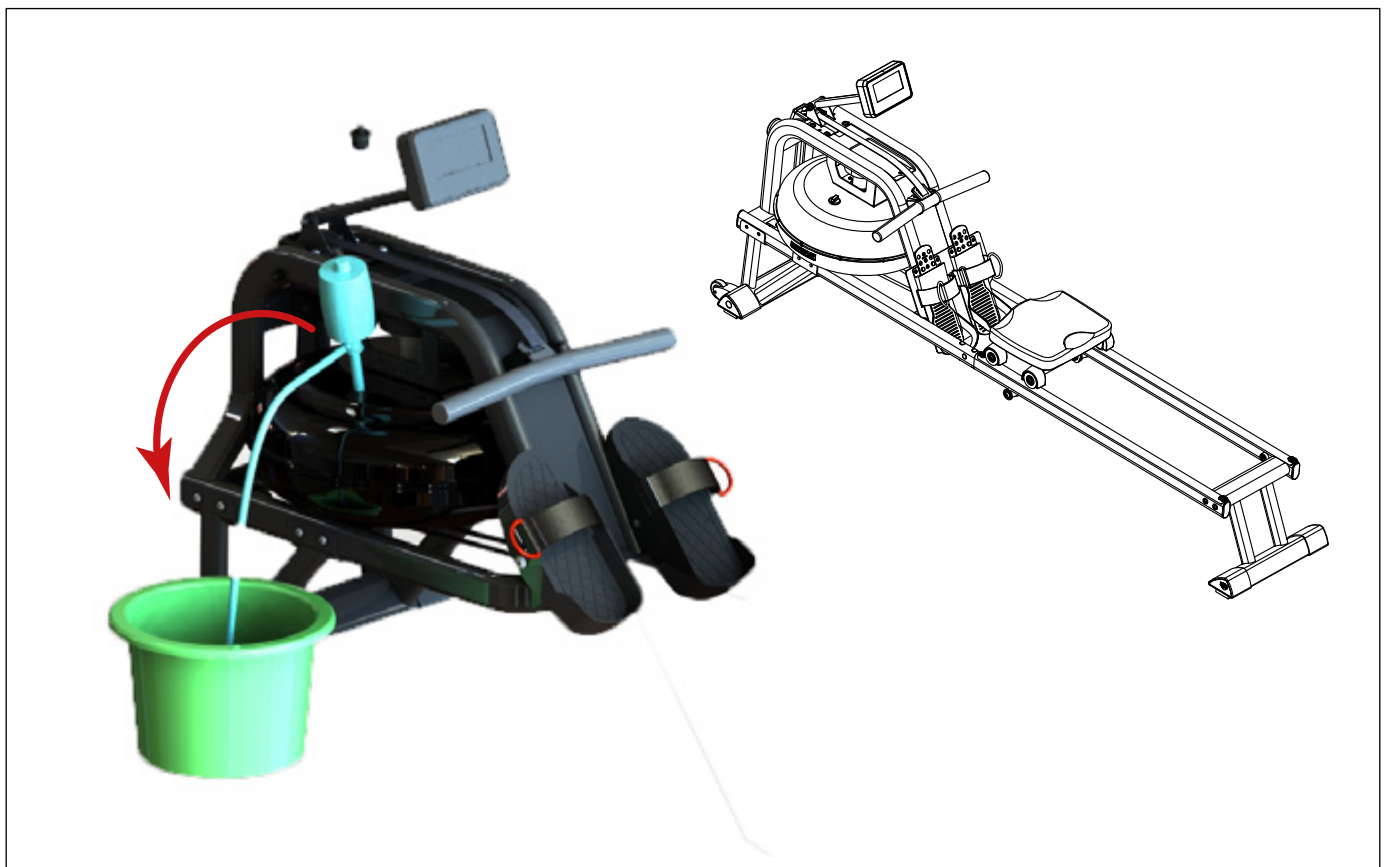
# E-2



### E-3



### E-4



# F-1



# F-2



## Index

<b>Rower</b> .....	<b>13</b>
<b>Safety warnings</b> .....	<b>13</b>
<b>Assembly instructions</b> .....	<b>13</b>
Description (fig. A).....	13
Package contents (fig. B & C).....	14
Assembly (fig. D).....	14
<b>Adjust tank water level</b> .....	<b>14</b>
Filling the tank with water (Fig. E-3) .....	14
Removing water from the tank (Fig. E-4) .....	14
Water treatment.....	14
<b>Workouts</b> .....	<b>14</b>
Exercise Instructions .....	14
Heart rate.....	15
<b>Use</b> .....	<b>15</b>
Adjusting the support feet (fig. E-1) .....	15
Adjusting resistance.....	15
Adjust bungee tension (fig. E-2) .....	16
How to row .....	16
<b>Console (fig. F-1)</b> .....	<b>16</b>
Explanation Display functions.....	16
Explanation of buttons .....	17
Operation .....	17
Programs.....	17
<b>Cleaning and maintenance</b> .....	<b>18</b>
Water changes color or becomes cloudy .....	18
Replacing the batteries (fig. F-2) .....	18
<b>Troubleshooting</b> .....	<b>18</b>
<b>Transport and storage</b> .....	<b>18</b>
Additional information.....	18
<b>Technical data</b> .....	<b>18</b>
<b>Warranty</b> .....	<b>19</b>
<b>manufacturer</b> .....	<b>19</b>
<b>Disclaimer</b> .....	<b>19</b>

## Rower

Welcome to the world of Tunturi!

Thank you for purchasing this piece of Tunturi equipment.

Tunturi offers a wide range of home fitness equipment, including crosstrainers, treadmills, exercise bikes and rowers. The Tunturi equipment is suitable for the entire family, no matter what fitness level. For more information, please visit our website [www.tunturi.com](http://www.tunturi.com)

### Important Safety Instructions

This Owner's Manual is an essential part of your training equipment: reading all instructions in this manual before you start using this appliance. The following precautions must always be followed:

## Safety warnings

### ⚠ WARNING

- Read the safety warnings and the instructions. Failure to follow the safety warnings and the instructions can cause personal injury or damage to the equipment. Keep the safety warnings and the instructions for future reference.

### ⚠ WARNING

- Heart rate monitoring systems may be inaccurate.
  - Over exercise may result in serious injury or death. If you feel faint stop exercising immediately.
- The equipment is suitable for domestic use only. The equipment is not suitable for commercial use.
  - Max. usage is limited to 2 hrs a day.
  - The use of this equipment by children or persons with a physical, sensory, mental or motorial disability, or lack of experience and knowledge can give cause to hazards. Persons responsible for their safety must give explicit instructions or supervise the use of the equipment.
  - Before starting your workout, consult a physician to check your health.
  - If you experience nausea, dizziness or other abnormal symptoms, immediately stop your workout and consult a physician.
  - To avoid muscular pain and strain, start each workout by warming up and finish each workout by cooling down. Remember to stretch at the end of the workout.
  - The equipment is suitable for indoor use only. The equipment is not suitable for outdoor use.
  - Only use the equipment in environments with adequate ventilation. Do not use the equipment in draughty environments in order not to catch a cold.
  - Only use the equipment in environments with ambient temperatures between 10 °C and 35 °C. Only store the equipment in environments with ambient temperatures between 5 °C and 45 °C.
  - Do not use or store the equipment in humid surroundings. The air humidity must never be more than 80%.
  - Only use the equipment for its intended purpose. Do not use the equipment for other purposes than described in the manual.
  - Do not use the equipment if any part is damaged or defective. If a part is damaged or defective, contact your dealer.
  - Keep your hands, feet and other body parts away from the moving parts.
  - Keep your hair away from the moving parts.
  - Wear appropriate clothing and shoes.
  - Keep clothing, jewellery and other objects away from the moving parts.
  - Make sure that only one person uses the equipment at a time. The equipment must not be used by persons weighing more than 150 kg (330 lbs).
  - Do not open equipment without consulting your dealer.

## Assembly instructions

### Description (fig. A)

Your rower is a piece of stationary fitness equipment used to simulate rowing without causing excessive pressure to the joints.

## Package contents (fig. B & C)

- The package contains the parts as shown in fig. B.
- The package contains the fasteners as shown in fig. C. Refer to the section "Description"

### NOTE

- If a part is missing, contact your dealer.

## Assembly (fig. D)

### WARNING

- Assemble the equipment in the given order.
- Carry and move the equipment with at least two persons.

### CAUTION

- Place the equipment on a firm, level surface.
- Place the equipment on a protective base to prevent damage to the floor surface.
- Allow at least 100 cm of clearance around the equipment.
- Refer to the illustrations for the correct assembly of the equipment.

## Adjust tank water level

### Filling the tank with water (Fig. E-3)

- Remove the rubber tank plug (33) from the top of the tank.
- Place a large bucket of water next to the rower and position the siphon with the rigid hose in the bucket and the flexible hose into the tank as shown. Make sure the small breather valve on the top of the siphon is closed before filling.

### NOTE

- 13 liters of water is required for maximum filling.
- Where water quality is poor, we recommend using distilled water.
- Putting the bucket higher than the tank will allow the siphon to "self-pump" when adding water to the tank.
- Consider using a towel under the bucket and water tank preventing stains on the floor.

### WARNING

- Filling the water level over the Maximum level might result in water leakage during workout.
- Begin filling the tank by squeezing the siphon. Use the level gauge decal on the side of the tank to measure volume of water in the tank.
- After filling the tank to the desired water level, open the valve on the top of the siphon to allow excess water to escape.
- Ensure that the tank plug is replaced once filling and water treatment procedures are complete.

### Removing water from the tank (Fig. E-4)

- Remove the tank plug.
- Insert the siphon rigid hose end into the tank
- Insert the siphon flexible hose end into a large bucket.
- Drain the tank (approx. 20% of water will remain in the tank. It is not possible to drain the tank completely without disassembling the tank)

- Refill the tank following the directions as described under the section "Filling the tank" of this manual.

### NOTE

- If the water treatment schedule is maintained, it will not be necessary to change the water inside the tank. An additional water treatment tablet is only required when discolouration of the water appears.
- Exposure to sunlight affects the water. Moving the rower away from direct sunlight will extend time between water treatments

## Water treatment

- Add one water treatment tablet.
- Add a water treatment tablet whenever the water appears dirty or cloudy over time.

### WARNING

- Only use the Tunturi supplied water treatment tablets.

## Workouts

The workout must be suitably light, but of long duration. Aerobic exercise is based on improving the body's maximum oxygen uptake, which in turn improves endurance and fitness. You should perspire, but you should not get out of breath during the workout.

To reach and maintain a basic fitness level, exercise at least three times a week, 30 minutes at a time. Increase the number of exercise sessions to improve your fitness level. It is worthwhile to combine regular exercise with a healthy diet. A person committed to dieting should exercise daily, at first 30 minutes or less at a time, gradually increasing the daily workout time to one hour. Start your workout at low speed and low resistance to prevent the cardiovascular system from being subjected to excessive strain.

As the fitness level improves, speed and resistance can be increased gradually. The efficiency of your exercise can be measured by monitoring your heart rate and your pulse rate.

## Exercise Instructions

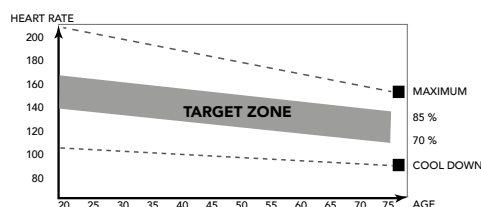
Using your fitness trainer will provide you with several benefits, it will improve your physical fitness, tone muscle and in conjunction with a calorie controlled diet help you lose weight.

### The warming up phase

This stage helps get the blood flowing around the body and the muscles working properly. It will also reduce the risk of cramp and muscle injury. It is advisable to do a few stretching exercises as shown below. Each stretch should be held for approximately 30 seconds, do not force or jerk your muscles into a stretch - if it hurts, STOP

### The exercise phase

This is the stage where you put the effort in. After regular use, the muscles in your legs will become more flexible. Work to your but it is very important to maintain a steady tempo throughout. The rate of work should be sufficient to raise your heart beat into the target zone shown on the graph below.



This stage should last for a minimum of 12 minutes though most people start at about 15-20 minutes

### The cool down phase

This stage is to let your Cardiovascular System and muscles wind down. This is a repeat of the warm up exercise e.g. reduce your tempo, continue for approximately 5 minutes. The stretching exercises should now be repeated, again remembering not to force or jerk your muscles into the stretch.

As you get fitter you may need to train longer and harder. It is advisable to train at least three times a week, and if possible space your workouts evenly throughout the week.

### Muscle toning

To tone muscle while on your fitness trainer you will need to have the resistance set quite high. This will put more strain on our leg muscles and may mean you cannot train for as long as you would like. If you are also trying to improve your fitness you need to alter your training program. You should train as normal during the warm up and cool down phases, but towards the end of the exercise phase you should increase resistance making your legs work harder. You will have to reduce your speed to keep your heart rate in the target zone.

### Weight loss

The important factor here is the amount of effort you put in. The harder and longer you work the more calories you will burn. Effectively this is the same as if you were training to improve your fitness, the difference is the goal.

## Heart rate

### Heart rate measurement (heart rate chest belt)

#### NOTE

- A chest strap does not come standard with this trainer. When you like to use a wireless chest strap you need to purchase this as an accessory.

The most accurate heart rate measurement is achieved with a heart rate chest belt. The heart rate is measured by a heart rate receiver in combination with a heart rate transmitter belt. Accurate heart measurement requires that the electrodes on the transmitter belt are slight moist and constantly touching the skin. If the electrodes are too dry or too moist, the heart rate measurement will become less accurate.

#### WARNING

- If you have a pacemaker, consult a physician before using a heartrate chest belt.

#### CAUTION

- If there are several heart rate measurement devices next to each other, make sure that the distance between them is at least 1.5 metres.
- If there is only one heart rate receiver and several heart rate transmitters, make sure that only one person with a transmitter is within transmission range.

#### NOTE

- Always wear the heart rate chest belt under your clothes directly in contact with your skin. Do not wear the heart rate chest belt above your clothes. If you wear the heart rate chest belt above your clothes, there will be no signal.
- If you set a heart rate limit for your workout, an alarm will sound when it is exceeded.
- The transmitter transmits the heart rate to the console up to a distance of 1 metre. If the electrodes are not moist, the heart rate will not appear on the display.

- Some fibers in clothes (e.g. polyester, polyamide) create static electricity which can prevent accurate heart rate measurement.
- Mobile phones, televisions and other electrical appliances create an electromagnetic field which can prevent accurate heart rate measurement.

### Maximum heart rate (during training)

The maximum heart rate is the highest heart rate a person can safely achieve through exercise stress. The following formula is used to calculate the average maximum heart rate:  $220 - \text{AGE}$ . The maximum heart rate varies from person to person.

#### WARNING

- Make sure that you do not exceed your maximum heart rate during your workout. If you belong to a risk group, consult a physician.

### Beginner

#### 50-60% of maximum heart rate

Suitable for beginners, weight-watchers, convalescents and persons who have not exercised for a long time. Exercise at least three times a week, 30 minutes at a time.

### Advanced

#### 60-70% of maximum heart rate

Suitable for persons who want to improve and maintain fitness. Exercise at least three times a week, 30 minutes at a time.

### Expert

#### 70-80% of maximum heart rate

Suitable for the fittest of persons who are used to long-endurance workouts.

## Use

### Adjusting the support feet (fig. E-1)

The equipment is equipped with 2 support feet. If the equipment is not stable, the support feet can be adjusted.

- Turn the support feet as required to put the equipment in a stable position.
- Tighten the locknuts to lock the support feet.

#### NOTE

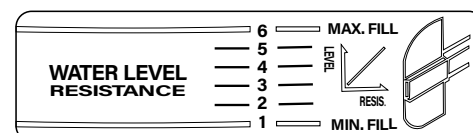
- The machine is the most stable when all support feet are turned fully in. Therefore start to level the machine by turning all support feet fully in, before turning out the required support feet to stable the machine.

### Adjusting resistance

To increase or decrease resistance, adjust the water level.

- More water is more resistance.
- Less water is less resistance.

The scale on the water tank helps you find and set a suitable resistance.










Max. fill	6	± 12.8 ltr
	5	± 11.9 ltr
	4	± 11.1 ltr
	3	± 10.5 ltr
	2	± 9.5 ltr
Min. fill	1	± 8.5 ltr

### Adjust bungee tension (fig. E-2)

When have the feeling that during your workout the handlebar rope is not rewinds smooth or fast enough you can adjust the bungee as followed.

- Set the rower in upright position.
- Locate the bungee underneath the water tank frame.
- Reposition the bungee from A to B ( if the bungee is already in position B do set to C )
- Put trainer back in workout position and try if the improvement is good enough.

### How to row

	<p><b>Catch</b></p> <p>Comfortably forward with straight back and arms.</p>
	<p><b>Drive</b></p> <p>Push with the legs while arms remain straight.</p>
	<p><b>Finish</b></p> <p>Pull through with arms and legs rocking slightly back on your pelvis.</p>
	<p><b>Recovery</b></p> <p>Upper body tips forward over your pelvis and move forward.</p>
	<p><b>Catch</b></p> <p>Back to the starting position and begin again.</p>

#### Catch - Drive

Begin the stroke comfortably in forward position and push strongly back with your legs while keeping your arms and back straight.

#### Finish

Begin to pull your arms back as they pass over your knees and continue the stroke through to completion rocking slightly back over your pelvis.

#### Recovery - Catch

Return to the starting position and repeat.

#### ⚠ WARNING

- Always consult a doctor before beginning an exercise program.
- Stop immediately if you feel faint or dizzy.

### Console (fig. F-1)

#### ⚠ CAUTION

- Keep the console away from direct sunlight.
- Dry the surface of the console when it is covered with drops of sweat.
- Do not lean on the console.
- Only touch the display with the tip of your finger. Make sure that your nails or sharp objects do not touch the display.

#### 🔊 NOTE

- The console switches to standby mode when the equipment is not used for 4 minutes.

### Explanation Display functions

#### Time

- Without setting the target value, time will count up.
- When setting the target value, time will count down from your target time to 0 and alarm will sound or flash. (During countdown "Remaining" time is shown )
- Without any signal being transmitted into the monitor for 4 seconds during workout, time will STOP
- Range: 0:00~99:59 /± 1:00

#### Time/ 500M

Shows the time needed to run a 500 meter distance workout, based on the current rowing intensity.

A+Time/ 500M: When workout is stopped, it will display average Time/ 500m value of latest workout.

#### Distance

- Without setting the target value, distance will count up.
- When setting the target value, distance will count down from your target distance to 0 with an alarm sound or flash. (During countdown "Remaining" distance is shown )
- Range: 0~99900 /± 100 (mtr.)

#### Calories

- Without setting the target value, calorie will count up.
- When setting the target value, calories will count down from your target value to 0 with an alarm sound or flash. (During countdown "Remaining" calories is shown )
- Range: 0~9990.

#### 🔊 NOTE

- This data is a rough guide for comparison of different exercise sessions which cannot be used in medical treatment

#### Pulse

- Current pulse will display after 6 seconds when detected by the console.
- Pulse value will blink when heartrate is on target ( target = preset value +5 )
- A+Pulse: When workout is stopped, it will display average pulse value of latest workout.

#### Strokes

- Without setting the target value, strokes will count up.
- When setting the target value, strokes will count down from your target distance to 0 with an alarm sound or flash. (During countdown "Remaining" is shown )
- Range 0 ~9990 /± 10



**Total Strokes**

will display the total strokes of all workouts.  
This value cannot be reset, other than by changing the batteries.

**SPM**

- SPM is Strokes Per Minute and is showing the average Strokes per minute during workout.
- In "Training Mode" this can be set as target in range 20~80.
- A+SPM: When workout is stopped, it will display average SPM value of latest workout.

**Standby mode**

In standby mode the console will display:

- Real time (HH:MM)
- Real date (YYYY/ MM/ DD)
- Environment temperature (°Celsius)

To set correct time/ date settings,

- Press and hold Reset button for 3 seconds to enter time/ date programming mode.
- Use Up/ Down keys to adjust Time/ Date parameters and Enter to confirm settings.

**Alarm function**

After setting time/ date parameters right, you can also choose to set an Alarm.

(Alarm can only sound in standby mode.)

- Set Alarm in on or off mode by using up/ down keys, and confirm with enter.
- If Alarm is in on mode ( Bell is shown) the Hour digits will blink, set required alarm hour time by using up / down keys and confirm with enter.
- Do the same for minutes, and confirm with enter.
- Your alarm is set, and will be activated ( only if console is in standby mode)

**Explanation of buttons****Up**

- Setting selection.
- Increase the value.

**Down**

- Setting selection.
- Decrease the value.

**Enter**

- Confirm setting. (in programming mode)
- Scan parameters (in workout mode)

**Start/ Stop**

- Start workout. (in programming mode)
- Stop ( Pause) workout. (in workout mode)
- Resume training. (in stop mode)

**Reset**

- In setting mode, press RESET key once to reset the current function figures.
- Press RESET key and hold for 2 seconds to reset all function figures, and reboot console.

**Recovery**

- The RECOVERY key will only be valid if pulse is detected.
- TIME will show „0:60“ (seconds) and counts down to 0.

- Computer will show F1 to F6 after the countdown to test heart rate recovery status. User can find the heart rate recovery level based on the chart below.
- Press RECOVERY key again to return to the beginning.

F1	Outstanding
F2	Excellent
F3	Good
F4	Fair
F5	Below average
F6	Poor

**Operation****Power on**

- Press any key to power on the console when being in sleep mode..
- Start workout to power on the console when being in sleep mode.

**Power off**

Without any signal being transmitted into the monitor for 4 minutes the monitor will enter SLEEP mode automatically. ( Active training data will be lost )

**Programs****Manual mode**

- Select "Manual" and confirm by pressing "Enter"
- Set your training target for "Time, Distance, Strokes Calories and Pulse" by using the "Up/ Down" keys and confirm with Enter.
- Press "Start/ Stop" button to start the setup training.

**NOTE**

- Only one target can be set, the not set targets should be confirmed as "0" goal target.
- Pulse is not a trainings ending target, but only set as warning.
- When set a target, the training will end when target is reached.
- If no target is set, the training will continue until user ends training.

**Race mode**

- Press mode button to select "Race Mode" and confirm by pressing "Enter".
- L9 will be displayed, use Up/ Down key to set required "Race mode" level, and confirm with "Enter".

Displayed "Time/ 500 is the PC time you need to beat.

Mode	Time/ 500
L1	8:00 min
L2	7:30 min
L3	7:00 min
L4	6:30 min
L5	6:00 min
L6	5:30 min
L7	5:00 min
L8	4:30 min
L9	4:00 min
L10	3:30 min
L11	3:00 min
L12	2:30 min
L13	2:00 min
L14	1:30 min
L15	1:00 min

- Set desired training distance ( $\pm$  500 mtr) and confirm with "Enter"
- Press "Start/ Stop" button to start a 3 seconds countdown prior to your training start.

### NOTE

- Training will end, when computer (PC) or you (User) has reached the end first.
- Console will display "User win" or "PC win" when you or computer reaches the end first, and stops training.

## Cleaning and maintenance

The equipment does not require special maintenance. The equipment does not require recalibration when it is assembled, used and serviced according to the instructions.

### WARNING

- Do not use solvents to clean the equipment.
- Clean the equipment with a soft, absorbent cloth after each use.
- Regularly check that all screws and nuts are tight.
- If necessary, lubricate the joints.

## Water changes color or becomes cloudy

### Possible cause:

Rower is in direct sunlight or has not had water treatment.

### Solution:

- Change rower location to reduce direct exposure to sunlight.
- Add water treatment or change tank water as directed in the water treatment section of this manual.

## Replacing the batteries (fig. F-2)

The console is equipped with 2 AA batteries at the rear of the console.

- Remove the cover.
- Remove the old batteries.
- Insert the new batteries. Make sure that batteries match the (+) and (-) polarity markings.
- Mount the cover.

## Troubleshooting

Despite continuous quality control, defects and malfunctions caused by individual components may occur in the equipment. In most cases it's unnecessary to take the whole device in for repair, as it's usually sufficient to replace the defective part.

If the equipment does not function properly during use, contact your Tunturi dealer immediately. Always give the model and serial number of your equipment. Please state also the nature of the problem, conditions of use and purchase date.

If you require spare parts, always give the model, serial number of your equipment and the spare part number for the part you need. The spare part list is at the back of this manual. Use only spare parts mentioned in the spare part list.

## Trouble shooting

- When the display of LCD is dim, it means the batteries need to be changed.

If there is no signal when you pedal, please check if the cable is well connected.

### NOTE

- When stop training for 4 minutes, the main screen will be off.
- If the computer displays abnormally, please re-install the batteries and try again.

## Transport and storage

### WARNING

- Carry and move the equipment with at least two persons.
- Remain standing in front of the equipment on each side and take a sturdy grip at the handlebars. Tilt the front of the equipment so as to lift the rear of the equipment on the wheels. Move the equipment and carefully put the equipment down. Place the equipment on a protective base to prevent damage to the floor surface.
- Move the equipment carefully over uneven surfaces. Do not move the equipment upstairs using the wheels, but carry the equipment by the handlebars.
- Store the equipment in a dry place with as little temperature variation as possible.

## Additional information

### Packaging disposal

Government guidelines ask that we reduce the amount of waste material disposed of in land fill sites. We therefore ask that you dispose of all packaging waste responsibly at public recycling centres.

### End of life disposal

We at Tunturi hope you enjoy many years of enjoyable use from your fitness trainer. However, a time will come when your fitness trainer will come to the end of its useful life. Under 'European WEEE Legislation you are responsible for the appropriate disposal of your fitness trainer to a recognised public collection facility.

## Technical data

Parameter	Unit of measurement	Value
HR. receiver	handgrip contact 5.3~ 5.4 Khz. Bluetooth (BLE) ANT+	<input checked="" type="checkbox"/> <input checked="" type="checkbox"/> <input checked="" type="checkbox"/> <input checked="" type="checkbox"/>
Length	cm inch	211,0 83,1
Width	cm inch	56,0 22,0
Height	cm inch	107,0 42,1
Weight	kg lbs	39,5 87,1
Max. user weight	kg lbs	150 330
Battery size	2x	AA

## Warranty

---

### Warranty terms

The consumer is entitled to the applicable legal rights stated in the national legislation concerning the commerce of consumer goods. This warranty does not restrict these rights. The Purchaser's Warranty is only valid if the item is used in an environment approved by Tunturi New Fitness BV for that particular equipment. The product-specific approved environment is stated in the Owner's Manual provided with your equipment.

### Warranty conditions

The warranty conditions commence from the date of purchase. Warranty conditions may vary per country, so please consult your local dealer for the warranty conditions.

### Warranty coverage

Under no circumstances shall Tunturi New Fitness BV or the Tunturi Distributor be liable by virtue of this warranty or otherwise for any special, indirect, secondary or consequential damages of any nature arising out of any use or inability to use this equipment.

### Warranty limitations

This warranty covers manufacturing defects in the fitness equipment as originally packed by Tunturi New Fitness BV. The warranty shall apply only under conditions of normal, recommended use of the product as described in the Owner's Manual and providing that Tunturi New Fitness BV's instructions for installation, maintenance and use have been complied with. Neither Tunturi New Fitness BV's nor the Tunturi Distributors' obligations apply to defects due to reasons beyond their control. The warranty applies only to the original purchaser and is valid only in countries where Tunturi New Fitness BV has an authorised importer. The warranty does not extend to fitness equipment or components that have been modified without the consent of Tunturi New Fitness BV. Defects resulting from normal wear, misuse, abuse, corrosion, or damage incurred during loading or transportation are not covered.

The warranty does not cover sounds or noises emitted during use where these do not substantially impede the use of the equipment and where they are not caused by a fault in the equipment.

The warranty does not cover defects arising from the failure to carry periodic maintenance as outlined within the Owner's Manual for the product. Furthermore, the warranty does not cover defects arising from usage and storage within an unsuitable environment as described within the Owner's Manual which should be indoors, dry, dust and grit free and within a temperature range of +15°C to +35°C. The warranty does not cover maintenance activities, such as cleaning, lubricating, and normal part adjustments, nor installation

procedures that customers can accomplish themselves, such as changing uncomplicated meters, pedals and other similar parts not requiring any dismantling/reassembling of the fitness equipment.

Warranty repairs carried out by other than authorised Tunturi representatives are not covered.

Failure to follow the instructions given in the Owner's Manual will invalidate the product's warranty.

## manufacturer

---

Tunturi New Fitness BV declares that the product is in conformity with the following standards and directives: EN 957 (HC), 2014/30/EU. The product therefore carries the CE label.

07-2020

Tunturi New Fitness BV  
Purmerweg 1  
1311 XE Almere  
The Netherlands

## Disclaimer

---

© 2020 Tunturi New Fitness BV  
All rights reserved.

- The product and the manual are subject to change.
- Specifications can be changed without further notice.
- Check our website for the latest user manual version.

## Deutsch

Diese deutsche Bedienungsanleitung ist eine Übersetzung des englischen Textes. Es können keine Rechte auf diese Übersetzung abgeleitet werden.

## Index

<b>Rudergerät</b> .....	<b>20</b>
<b>Warnhinweise zur Sicherheit</b> .....	<b>20</b>
<b>Montageanleitungen</b> .....	<b>21</b>
Beschreibung (Abb. A).....	21
Verpackungsinhalt (abb. B & C).....	21
Zusammenbau (abb. D) .....	21
<b>Tankfüllung und Wasserbehandlung</b> .....	<b>21</b>
Den Tank füllen (Abb. E-3).....	21
Entfernung vom Wasser aus dem tank (Abb. E-4) .....	21
Wasserbehandlung.....	21
<b>Trainings</b> .....	<b>21</b>
Trainingsanleitung .....	22
Herzfrequenz .....	22
<b>Gebrauch</b> .....	<b>23</b>
Einstellen der Stützfüße (Abb. E-1).....	23
Widerstand einstellen.....	23
Gurtspannung einstellen (Abb. E-2) .....	23
Richtig Rudern .....	23
<b>Konsole (abb. F-1)</b> .....	<b>23</b>
Erläuterung der Anzeigefunktionen.....	24
Erläuterung der Schalter.....	24
Bedienung .....	25
Programme .....	25
<b>Reinigung und Wartung</b> .....	<b>25</b>
Wasser ändert die Farbe und zieht flockig aus.....	25
Erneuerung der Batterien (abb. F-2).....	26
<b>Störungen und Fehlfunktionen</b> .....	<b>26</b>
<b>Transport und Lagerung</b> .....	<b>26</b>
Zusätzliche Informationen.....	26
<b>Technische Daten</b> .....	<b>26</b>
<b>Garantie</b> .....	<b>26</b>
<b>Herstellereklärung</b> .....	<b>27</b>
<b>Haftungsausschluss</b> .....	<b>27</b>

## Rudergerät

Willkommen in der Welt von Tunturi!

Danke, dass Sie dieses Gerät von Tunturi erworben haben. Tunturi bietet eine breite Palette an Heim-Fitnessgeräten wie beispielsweise Crosstrainer, Laufbänder, Trainingsfahrräder und Rudergeräte an. Die Tunturi Geräte sind für die ganze Familie geeignet - ganz egal, wie fit man ist. Weitere Informationen finden Sie auf unserer Website unter [www.tunturi.com](http://www.tunturi.com)

### Wichtige sicherheitshinweise

Dieses Handbuch ist ein wesentlicher Bestandteil Ihres Trainingsgerätes. Lesen Sie es bitte sorgfältig durch, bevor Sie Ihr Trainingsgerät montieren, mit ihm trainieren oder es warten. Bitte bewahren Sie dieses Handbuch auf; es wird Sie jetzt und zukünftig darüber informieren, wie Sie Ihr Gerät benutzen und warten. Befolgen Sie diese Anweisungen immer sorgfältig.

## Warnhinweise zur Sicherheit

### ⚠️ WARNUNG

- Lesen Sie die Warnhinweise zur Sicherheit und die Anweisungen. Werden die Warnhinweise zur Sicherheit und die Anweisungen nicht befolgt, kann dies zu Personenverletzungen und Schäden am Gerät führen. Bewahren Sie die Warnhinweise zur Sicherheit und die Anweisungen zur künftigen Bezugnahme auf.

### ⚠️ WARNUNG

- Herzfrequenz-Überwachungssysteme können ungenau sein.
- Eine Überanstrengung kann zu schweren Schädigungen oder zum Tod führen. Wenn Sie sich schwach oder ohnmächtig fühlen, stellen Sie die Übungen unverzüglich ein.

- Das Gerät ist nur für den Hausgebrauch geeignet. Das Gerät ist nicht für den gewerblichen Gebrauch geeignet.
- Die maximale Verwendung ist auf 2 Stunden pro Tag beschränkt
- Wenn dieses Gerät von Kindern oder Personen mit körperlicher, sensorischer, geistiger oder motorischer Behinderung verwendet wird, oder wenn nicht genügend Erfahrung und Kenntnisse vorhanden sind, kann dies zu Gefahrensituationen führen. Personen, die für deren Sicherheit verantwortlich sind, müssen klare Anweisungen geben oder den Gebrauch des Geräts beaufsichtigen.
- Bevor Sie Ihr Training starten, nehmen Sie Kontakt mit einem Arzt auf, um Ihre Gesundheit kontrollieren zu lassen.
- Falls Sie Übelkeit, ein Schwindelgefühl oder andere anormale Symptome verspüren, hören Sie unverzüglich mit Ihrem Training auf und wenden Sie sich an einen Arzt.
- Um einen Muskelkater zu vermeiden, starten Sie jedes Training mit Aufwärmen und beenden Sie es mit Abkühlen. Denken Sie daran, sich am Ende des Trainings zu dehnen.
- Das Gerät ist nur für den Gebrauch in geschlossenen Räumen geeignet. Das Gerät ist nicht für den Gebrauch im Freien geeignet.
- Verwenden Sie das Gerät nur in Umgebungen mit ausreichender Belüftung. Verwenden Sie das Gerät nicht in zugiger Umgebung, damit Sie sich nicht erkälten.
- Verwenden Sie das Gerät nur in Umgebungen mit Umgebungstemperaturen zwischen 10 °C und 35 °C. Lagern Sie das Gerät nur in Umgebungen mit einer Umgebungstemperatur zwischen 5 °C und 45 °C.
- Verwenden und lagern Sie das Gerät nicht in feuchten Umgebungen. Die Luftfeuchtigkeit darf niemals 80% überschreiten.
- Verwenden Sie das Gerät nur bestimmungsgemäß. Verwenden Sie das Gerät nicht für einen anderen als für den in diesem Handbuch beschriebenen Zweck.
- Verwenden Sie das Gerät nicht, falls Teile beschädigt oder defekt sind. Ist ein Teil beschädigt oder defekt, wenden Sie sich an Ihren Händler.
- Halten Sie Ihre Hände, Füße und andere Körperteile von den beweglichen Teilen fern.
- Halten Sie Ihr Haar von den beweglichen Teilen fern.
- Tragen Sie entsprechende Kleidung und Schuhe.
- Halten Sie Kleidung, Schmuck und andere Gegenstände von den beweglichen Teilen fern.
- Vergewissern Sie sich, dass das Gerät nur von einer Person auf einmal verwendet wird. Das Gerät darf nicht von Personen verwendet werden, deren Gewicht 150 kg (330 lbs) überschreitet.
- Öffnen Sie das Gerät nicht, ohne vorher mit Ihrem Händler zu sprechen.

## Montageanleitungen

### Beschreibung (Abb. A)

Ihr Rudergerät ist ein ortsgebundenes Fitnessgerät, das zur Simulation des Ruderns erwendet wird, ohne dabei einen übermäßigen Druck auf die Gelenke auszuüben.

### Verpackungsinhalt (abb. B & C)

- Die Verpackung enthält die in Abb. B dargestellten Teile.
- Die Verpackung enthält die Befestigungsteile gemäß Abb. C. Siehe Abschnitt "Beschreibung".

#### HINWEIS

- Fehlt ein Teil, wenden Sie sich an Ihren Händler.

### Zusammenbau (abb. D)

#### WARNUNG

- Bauen Sie das Gerät in der angegebenen Reihenfolge zusammen.
- Tragen und bewegen Sie das Gerät mit mindestens zwei Personen.

#### VORSICHT

- Stellen Sie das Gerät auf festen, ebenen Boden.
- Stellen Sie das Gerät auf eine schützende Unterlage, um Schäden am Bodenbelag zu vermeiden.
- Sorgen Sie rund um das Gerät für einen Freiraum von mindestens 100 cm.

- Der richtige Zusammenbau des Geräts geht aus den Abbildungen hervor.

## Tankfüllung und Wasserbehandlung

### Den Tank füllen (Abb. E-3)

- Entfernen Sie den Gummistöpsel auf der Oberseite des Tanks.
- Platziere einen Großen Eimer mit Wasser neben dem Gerät und stecken Sie das flexible Ende im Tank und das Starre Ende der Handpumpe im Eimer, wie abgebildet. Stellen Sie sicher, dass das Entlüftungsventil am oberen Ende der Handpumpe geschlossen ist bevor sie anfangen den Tank zu füllen.

#### HINWEIS

- Es werden 13 Liter Wasser benötigt um eine Maximale Füllung zu gewährleisten.
- Sollte die Wasserqualität in ihrer Umgebung bekanntermaßen schlecht sein, dann empfehlen wir ihnen destilliertes Wasser zu verwenden.
- Stellen Sie den Wassereimer höher als den Tank, so kommt es zu einem „Selbs-Full“ Effekt.
- Benutzen Sie ein Handtuch unter dem Eimer und dem Tank um Flecken auf dem Fußboden zu vermeiden.

#### WARNUNG

- Wenn Sie den Wasserstand über den Höchststand bringen, kann dies während des Trainings zu Wasseraustritt führen.

- Beginnen Sie die Füllung des Tanks indem Sie die Handpumpe zusammendrücken. Benutze den Aufkleber mit der wasserstandanzeigen auf der Seite des Tanks um den jeweiligen Wasserstand im Tank abzulesen.
- Nachdem Sie den Wasserstand im Tank auf dem von ihnen gewünschten Niveau gebracht haben, öffnen Sie das Entlüftungsventil auf der Oberseite der Handpumpe um das überflüssige Wasser ausfließen zu lassen.
- Stellen Sie sicher, dass der Tank Plug nach der Wasserfüllung oder Wasserbehandlung wieder eingeschraubt wird.

### Entfernung vom Wasser aus dem tank (Abb. E-4)

- Entferne des Entlüftungsventil ( tank plug).
- Stecken Sie das Starre Ende der Handpumpe im Tank.
- Stecken Sie das flexible Ende der Handpumpe im Eimer.
- Entleere den Tank (etwa 20% vom Wasser bleibt im Tank, es ist nicht möglich den Tank ganz zu leeren ohne diesen zu demontieren).
- Füllen Sie den Tank wie beschrieben in "den Tank füllen" in dieser Anleitung.

#### HINWEIS

- Wenn die Wasserbehandlung korrekt durchgeführt wird ist es nicht notwendig das Wasser im Tank zu erneuern. Zusätzliche Chlortabletten sind nur bei eventueller Verfärbung vom Wasser notwendig.
- Aussetzung an direktem Sonnenlicht kann ein negatives Effekt auf dem Wasser haben. Eine Aufstellung außerhalb direkter Sonneneinstrahlung verlängern die Zeitspannen zwischen den Wasserbehandlungen.

### Wasserbehandlung

- Füge dem Wasser im Tank eine wasserbehandlungs-Tablette zu (20).
- Füge eine Wasserbehandlung-Tablette zu wenn das Wasser verschmutzt oder wolkig ist.

#### WARNUNG

- Verwenden Sie nur die von Tunturi gelieferten Wasserbehandlungs-Tabletten.

## Trainings

Das Training muss leicht und geeignet, aber von langer Dauer sein. Aerobic-Übungen basieren auf der Verbesserung der maximalen Sauerstoffaufnahme des Körpers, was wiederum die Ausdauer und Fitness verbessert. Sie sollten während des Trainings zwar ins Schwitzen, aber nicht außer Atem kommen.

Um eine Basisfitness zu erreichen und zu halten, üben Sie mindestens drei mal pro Woche 30 Minuten lang an einem Stück. Erhöhen Sie die Anzahl der Übungssitzungen, um Ihre Fitness zu verbessern.

Es lohnt sich, die regelmäßigen Übungen mit einer gesunden Diät zu kombinieren. Personen, die Diät machen, sollten täglich zuerst 30 Minuten oder weniger an einem Stück üben und die tägliche Trainingszeit allmählich auf eine Stunde verlängern. Beginnen Sie Ihr Training mit niedriger Geschwindigkeit und geringem Widerstand, um zu vermeiden, dass das Herzkreislaufsystem einer übermäßigen Belastung ausgesetzt wird. Mit sich verbessernder Fitness können Geschwindigkeit und Widerstand allmählich erhöht werden. Die Wirksamkeit Ihrer Übungen kann durch Überwachung der Herzfrequenz und Ihrer Pulsfrequenz gemessen werden.

## Trainingsanleitung

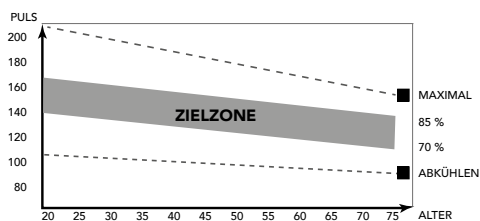
Die Verwendung des Fitnessstrainers wird Ihnen viele Vorteile bieten: Er verbessert Ihre körperliche Fitness, formt die Muskeln und hilft Ihnen, in Verbindung mit einer kalorienreduzierten Diät, Gewicht zu verlieren.

### Die Aufwärm-Phase

Der Blutkreislauf wird angeregt und die Muskelfunktionen werden unterstützt. Außerdem wird das Risiko von Krämpfen und Muskelverletzungen gesenkt. Sie sollten, wie unten angezeigt, einige Dehnübungen machen. Sie sollten weder die Dehnungsbewegung erzwingen noch die Muskeln dabei ruckweise bewegen - wenn Sie Schmerzen haben, sollten Sie AUFHÖREN.

### Die Trainings-Phase

In dieser Phase strengen Sie sich an. Nach regelmäßiger Verwendung werden die Muskeln in Ihren Beinen beweglicher. In dieser Phase ist es sehr wichtig, immer ein gleichmäßiges Tempo beizubehalten. Die Anstrengung sollte ausreichen, um Ihren Herzschlag bis in die Zielzone zu erhöhen, die im folgenden Diagramm dargestellt ist.



Diese Phase sollte mindestens 12 Minuten dauern; die meisten Menschen beginnen mit ca. 15 bis 20 Minuten.

### Die Abkühlungs-Phase

Sie dient der Entspannung Ihres Herz-Kreislaufsystems und Ihrer Muskeln. Dabei werden die Aufwärmübungen wiederholt, reduzieren Sie zum Beispiel Ihr Tempo und machen Sie ca. 5 Minuten weiter. Jetzt sollten die Dehnübungen wiederholt werden. Denken Sie wiederum daran, weder die Dehnungsbewegung zu erzwingen noch die Muskeln dabei ruckweise zu bewegen. Wenn Sie fitter werden, kann es sein, dass Sie länger und härter trainieren müssen. Sie sollten mindestens drei Mal die Woche trainieren und, falls möglich, Ihre Trainingseinheiten gleichmäßig über die Woche verteilen.

### Muskelformung

Um Ihre Muskeln beim Training auf dem Fitnessstrainer zu formen, müssen Sie den Widerstand ziemlich hoch einstellen. Dadurch werden die Beinmuskeln mehr angestrengt und Sie können möglicherweise nicht so lange trainieren, wie Sie möchten. Wenn Sie außerdem Ihre Fitness verbessern möchten, müssen Sie Ihr Trainingsprogramm ändern. Sie sollten in den Aufwärm- und Abkühlphasen normal trainieren, jedoch gegen Ende der Trainingsphase den Widerstand erhöhen, damit Ihre Beine härter arbeiten müssen. Sie müssen die Geschwindigkeit verringern, damit Ihre Herzfrequenz in der Zielzone bleibt.

### Gewichtsabnahme

Der wichtige Faktor ist, wie sehr Sie sich anstrengen. Je härter und je länger Sie trainieren, desto mehr Kalorien verbrennen Sie. Dies ist im Grunde dasselbe, wie wenn zur Verbesserung Ihrer Fitness trainieren, nur das Ziel ist ein anderes.

## Herzfrequenz

### Herzfrequenzmessung (Herzfrequenz-Brustgürtel)

#### HINWEIS

- Ein Herzfrequenz-Brustgürtel gehört bei diesem Trainer nicht zum Standard. Wenn Sie einen drahtlosen Brustgurt verwenden möchten, müssen Sie diesen als Zubehör erwerben.

Die genaueste Herzfrequenzmessung lässt sich mit einem Herzfrequenz-Brustgürtel erzielen. Die Herzfrequenz wird mit einem Herzfrequenzempfänger in Kombination mit einem Herzfrequenz-Sendegürtel gemessen. Für eine genaue Herzfrequenzmessung ist es erforderlich, dass die Elektroden am Sender etwas feucht sind und die Haut konstant berühren. Sind die Elektroden zu trocken oder zu feucht, wird die Herzfrequenzmessung weniger genau.

#### WARNUNG

- Falls Sie einen Schrittmacher haben, wenden Sie sich zunächst an einen Arzt, bevor Sie einen Herzfrequenz-Brustgürtel verwenden.

#### VORSICHT

- Falls sich mehrere Herzfrequenz-Messgeräte in gegenseitiger Nähe befinden, vergewissern Sie sich, dass der Abstand zwischen ihnen mindestens 1,5 Meter beträgt.
- Falls nur ein Herzfrequenzempfänger und mehrere Herzfrequenzsender vorhanden sind, vergewissern Sie sich, dass nur eine Person mit einem Sender in Sendereichweite ist.

#### HINWEIS

- Tragen Sie den Herzfrequenz-Brustgürtel stets mit direktem Hautkontakt unter Ihrer Kleidung. Tragen Sie den Herzfrequenz-Brustgürtel nicht auf Ihrer Kleidung. Falls Sie den Herzfrequenz-Brustgürtel auf Ihrer Kleidung tragen, gibt es kein Signal.
- Wenn Sie sich einen Herzfrequenz-Grenzwert für Ihr Training setzen, ertönt beim Überschreiten ein Signal.
- Der Sender überträgt die Herzfrequenz in einem Abstand bis zu 1 Meter zur Konsole. Sind die Elektroden nicht feucht, erscheint die Herzfrequenz nicht auf der Anzeige.
- Einige Fasern in der Kleidung (z.B. Polyester, Polyamid) erzeugen statische Elektrizität, die eine genaue Herzfrequenzmessung verhindern kann.
- Mobiltelefone, Fernsehgeräte und andere Elektrogeräte erzeugen ein elektromagnetisches Feld, das eine genaue Herzfrequenzmessung verhindern kann.

### Maximale Herzfrequenz (während des Trainings)

Die maximale Herzfrequenz ist die höchste Herzfrequenz, die eine Person durch Übungsbelastung sicher erzielen kann. Folgende Formel wird zur Berechnung der durchschnittlichen maximalen Herzfrequenz verwendet:  $220 - \text{ALTER}$ . Die maximale Herzfrequenz variiert von Person zu Person.

#### WARNUNG

- Stellen Sie sicher, dass Sie während des Trainings Ihre maximale Herzfrequenz nicht überschreiten. Falls Sie einer Risikogruppe angehören, wenden Sie sich an einen Arzt.

### Anfänger

#### 50-60% der maximalen Herzfrequenz

Geeignet für Anfänger, Gewicht- Beobachter, Genesende und Personen, die schon lange nicht mehr trainiert haben. Trainieren Sie mindestens dreimal pro Woche 30 Minuten an einem Stück.

**Fortgeschritten**

**60-70% der maximalen Herzfrequenz**

Geeignet für Personen, die ihre Fitness verbessern und halten wollen. Trainieren Sie mindestens dreimal pro Woche 30 Minuten an einem Stück.

**Experte**

**70-80% der maximalen Herzfrequenz**

Geeignet für die fittesten Personen, die sich an lange Ausdauertrainings gewöhnt haben.

**Gebrauch**

**Einstellen der Stützfüße (Abb. E-1)**

Das Gerät hat 2 Stützfüße. Steht das Gerät nicht stabil, kann es mit den Stützfüßen eingestellt werden.

- Drehen Sie die Stützfüße wie erforderlich, um das Gerät in eine stabile Position zu bringen.
- Ziehen Sie die Sicherungsmuttern an, um die Stützfüße zu sichern.

**HINWEIS**

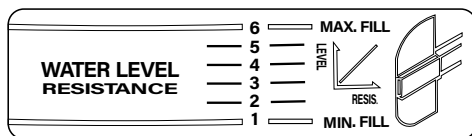
- Die Maschine steht am stabilsten, wenn alle Stützfüße vollständig eingeschraubt sind. Nivellieren Sie die Maschine daher, indem Sie alle Stützfüße vollständig eindrehen, bevor Sie die entsprechenden Füße zur Stabilisierung der Maschine wieder herausdrehen.

**Widerstand einstellen**

Um den Widerstand zu erhöhen oder zu verringern, stellen Sie den Wasserstand ein.

- Mehr Wasser ist mehr Widerstand.
- Weniger Wasser ist weniger Widerstand.

Sie Skala am Wassertank hilft Ihnen beim Festlegen des geeigneten Widerstands.



Max. fill	6	± 12.8 ltr
	5	± 11.9 ltr
	4	± 11.1 ltr
	3	± 10.5 ltr
	2	± 9.5 ltr
Min. fill	1	± 8.5 ltr

**Gurtspannung einstellen (Abb. E-2)**

Wenn Sie das Gefühl haben, dass das Lenkerseil während des Trainings nicht reibungslos oder schnell genug aufgewickelt wird, können Sie den Gurt wie folgt einstellen.

- Stellen Sie das Rudergerät in die aufrechte Position.
- Suchen Sie den Gurt unter dem Rahmen des Wassertanks.
- Verstellen Sie den Gurt von A nach B (wenn sich der Gurt bereits in Position B befindet, stellen Sie ihn auf C um)
- Setzen Sie das Trainingsgerät wieder in die Trainingsposition und testen Sie, ob die Verbesserung gut genug ist.

**Richtig Rudern**

	<b>Vorlage</b> Angenehm nach vorne mit gestreckte Arme und Rücken.
	<b>Durchzug</b> Drücke mit den Beinen nach hinten während die Arme gestreckt bleiben.
	<b>Rücklage</b> Ziehe mit den Armen und Beinen durch bis Sie leicht nach hinten lehnen.
	<b>Vorziehen</b> Oberkörper nach vorne lehnen und Körper nach vorne bewegen.
	<b>Vorlage</b> Gehen Sie zurück in die Ausgangsposition und wiederholen Sie den Vorgang.

**Vorlage - Durchzug**

Beginnen Sie mit angenehm nach vorne gestreckten Armen und Rücken. Drücken Sie die beine nach hinten, die Arme und der Rücken bleiben gestreckt.

**Rücklage**

Ziehe die Arme zurück sobald diese über die Knie sind und ziehe diese durch bis Sie leicht nach hinten lehnen.

**Vorlage**

Gehe zurück zur Ausgangsposition und wiederholen Sie den Vorgang.

**⚠️ WARNUNG**

- Kontaktiere immer ihren Arzt bevor Sie ein Trainingsprogramm beginnen.
- Stoppen Sie direkt wenn Sie sich schwindlig oder unwohl fühlen.

**Konsole (abb. F-1)**

**⚠️ VORSICHT**

- Halten Sie die Konsole von direkter Sonneneinstrahlung fern.
- Trocknen Sie die Oberfläche der Konsole, wenn Sie mit Schweißtropfen bedeckt ist.
- Lehnen Sie sich nicht auf die Konsole.
- Berühren Sie die Anzeige nur mit Ihrer Fingerspitze. Vergewissern Sie sich, dass Ihre Nägel oder andere scharfe Gegenstände die Anzeige nicht berühren.

**HINWEIS**

- Die Konsole schaltet in den Standby-Modus, wenn das Gerät 4 Minuten lang nicht verwendet wird.



## Erläuterung der Anzeigefunktionen

### Zeit (Time)

- Ohne Einstellung des Sollwerts wird die Zeit summiert.
- Wenn ein Sollwert eingestellt ist, wird die Zeit vom Zielwert aus auf 0 herabgezählt. Bei 0 ertönt ein Alarm oder erscheint ein Blinklicht. (Während des Countdowns wird „Remaining“ (Verbleibend) angezeigt)
- Wird während des Trainings 4 Sekunden lang kein Signal an den Monitor übermittelt, STOPPT die Zeit
- Bereich: 0:00~99:59 /± 1:00

### Zeit / 500 M

Zeigt die benötigte Zeit für einen Trainingslauf von 500 m basierend auf der aktuellen Ruderintensität an.

### Strecke (distance)

- Ohne Einstellung des Sollwerts wird die Distanz summiert.
- Wenn ein Sollwert eingestellt ist, wird die Distanz vom Zielwert aus auf 0 herabgezählt. Bei 0 ertönt ein Alarm oder erscheint ein Blinklicht. (Während des Countdowns wird „Remaining“ (Verbleibend) angezeigt)
- Bereich: 0~99900 /± 100 (mtr.)

### Kalorien (calories)

- Ohne Einstellung des Zielwerts werden die Kalorien hochgezählt.
- Bereich: 0~9990.

### HINWEIS

- Diese Daten sind ein grober Anhaltspunkt für den Vergleich verschiedener Trainingssitzungen. Sie können jedoch nicht für eine medizinische Behandlung verwendet werden

### Herzfrequenz

- Aktueller Puls wird nach sechs Sekunden angezeigt, wenn dieser von der Konsole erkannt wird.
- A+Puls: Wenn das Training angehalten wird, wird der durchschnittliche Pulswert des letzten Trainings angezeigt.

### Strokes

- Ohne Einstellung des Zielwerts werden die Strokes hochgezählt.
- Wenn ein Zielwert eingestellt ist, werden die Strokes Distanz vom Zielwert aus auf 0 herabgezählt. Bei 0 ertönt oder blinkt ein Alarm. (Während des Countdowns wird „Remaining“ (Verbleibend) angezeigt)
- Bereich: 0:00~9999/± 10

### Schläge gesamt

zeigt die Gesamtzahl der Schläge aller Trainingseinheiten an. Dieser Wert kann nicht zurückgesetzt werden, außer durch Auswechseln der Batterien.

### SPM

- SPM sind Strokes pro Minute. Hier wird während des Trainings der Strokes pro Minute-Mittelwert angezeigt.
- Im „Trainingsmodus“ kann dies am besten als Ziel im Bereich 20~80 festgelegt werden.
- A+SPM: Wenn das Training angehalten wird, wird der durchschnittliche SPM-Wert (Stoßimpulsmethode) des letzten Trainings angezeigt.
- 

## Standby-Modus

Im Standby-Modus wird die Konsole angezeigt:

- Echtzeit (SS:MM)
- Echtdatum (JJJJ/MM/TT)
- Umgebungstemperatur (° Celsius)

Zur Einstellung der richtigen Zeit-/Datumseinstellungen

- halten Sie die Reset-Taste 3 Sekunden lang gedrückt, um in den Zeit/Datum-Programmiermodus zu wechseln.
- Stellen Sie die Zeit-/Datumsparameter mit den Pfeiltasten nach oben/unten ein und drücken Sie auf die Eingabetaste, um die Einstellungen zu bestätigen.

## Alarmfunktion

Nachdem Sie die Zeit-/Datumsparameter richtig eingestellt haben, können Sie auch einen Alarm einstellen.

(Der Alarm kann nur im Standby-Modus ertönen.)

- Stellen Sie den Alarm mit den Pfeiltasten nach oben/unten ein und bestätigen Sie die Werte mit der Eingabetaste.
- Wenn der Alarm eingeschaltet ist (eine Glocke wird angezeigt), blinken die Stundenziffern. Stellen Sie die gewünschte Alarmstundenzeit mit den Pfeiltasten nach oben/unten ein und bestätigen Sie die Werte mit der Eingabetaste.
- Stellen Sie auf die gleiche Weise die Minuten ein und bestätigen Sie auch dies mit der Eingabetaste.
- Ihr Alarm wurde eingestellt und aktiviert (nur wenn sich die Konsole im Standby-Modus befindet)

## Erläuterung der Schalter

### Oben

- Zur Auswahl von Einstellungen.
- Einstellwert erhöhen.

### Unten

- Zur Auswahl von Einstellungen.
- Einstellwert verringern

### Eingabe

- Einstellungen bestätigen. (im Programmiermodus)
- Scan-Parameter (im Trainingsmodus)

### Start/Stop

- Training beginnen. (im Programmiermodus)
- Training anhalten (Pause). (im Trainingsmodus)
- Training fortsetzen. (im Stopp-Modus)

### Reset

- Drücken Sie im Einstellungsmodus einmal auf die Taste RESET, um die aktuellen Funktions-Darstellungen zurückzusetzen.
- Drücken Sie auf die RESET-Taste und halten Sie sie zwei Sekunden lang gedrückt, um alle Funktions-Darstellungen zurückzusetzen und starten Sie die Konsole erneut.

### Recovery

- Die Taste RECOVERY ist nur aktiv, wenn ein Puls erkannt wurde.
- TIME zeigt „0:60“ (Sekunden) an und wird auf „0“ herabgezählt. (Abb. F-19)
- Der Computer zeigt nach dem Countdown zum Testen den Herzfrequenz-Recovery-Status F1 bis F6 (Abb. F20) an. Die Herzfrequenz-Recovery-Stufe kann auf Grundlage folgender Tabelle ermittelt werden.
- Drücken Sie erneut auf die Taste RECOVERY, um zum Anfang zurückzukehren.



F1	Herausragend
F2	Hervorragend
F3	Gut
F4	Ausreichend
F5	Unterdurchschnittlich
F6	Schlecht

## Bedienung

### Einschalten

- Drücken Sie auf eine beliebige Taste, wenn sich die Konsole im Ruhemodus befindet.
- Starten Sie Ihr Training, wenn sich die Konsole im Ruhemodus befindet.

### Ausschalten

Wenn vier Minuten lang ohne Training kein Signal auf den Monitor übertragen wird, wird dieser automatisch in den Ruhemodus geschaltet (SLEEP). (Aktive Trainingsdaten gehen verloren)

### ⚠️ WARNUNG

- Es wird empfohlen, die Batterien zu entnehmen, wenn das Gerät über einen längeren Zeitraum nicht verwendet wird.

## Programme

### Manueller Modus

- Wählen Sie „Manuell“ und bestätigen Sie dies mit der Eingabetaste „Enter“.
- Stellen Sie Ihr Trainingsziel für „Zeit, Distanz, Schläge, Kalorien und H.R.C.“ ein, indem Sie die Pfeiltasten nach oben/unten bedienen und bestätigen Sie dies mit der Eingabetaste.
- Drücken Sie auf die Taste „Start/Stop“ und beginnen Sie mit diesen Trainingseinstellungen.

### 🗨️ HINWEIS

- Es kann nur ein Ziel festgelegt werden. Nicht festgelegte Ziele sollten als „0“-Ziel bestätigt werden.
- H.R.C. ist kein Trainingsziel, sondern wird als Warnung eingestellt.
- Wenn ein Ziel festgelegt ist, endet das Training, wenn der Sollwert erreicht ist.
- Wird kein Ziel festgelegt, wird das Training fortgesetzt, bis der Benutzer es beendet.

### Wettkampfmodus

- Drücken Sie auf die Taste Mode, um den „Wettkampfmodus“ auszuwählen. Bestätigen Sie die Eingabe mit „Enter“.
  - Es wird L9 angezeigt, verwenden Sie die Pfeiltasten nach oben/unten, um die gewünschte „Rennmodus“-Stufe einzustellen und bestätigen Sie die Eingabe mit „Enter“.
- Die Anzeige „Time/ 500“ ist die PC-Zeit, die Sie schlagen müssen.

Modus	Time/ 500
L1	8:00 min
L2	7:30 min
L3	7:00 min
L4	6:30 min
L5	6:00 min
L6	5:30 min
L7	5:00 min
L8	4:30 min
L9	4:00 min
L10	3:30 min
L11	3:00 min
L12	2:30 min
L13	2:00 min
L14	1:30 min
L15	1:00 min

- Gewünschte Trainingsstrecke einstellen ( $\pm$  500 m) und mit „Enter“ bestätigen
- Drücken Sie die Taste „Start/Stop“, um einen Countdown von 3 Sekunden vor Ihrem Trainingsbeginn zu starten.

### 🗨️ HINWEIS

- Das Training endet, wenn entweder der Computer (PC) oder Sie (Spieler) zuerst das Ziel erreichen.
- An der Konsole wird „User win“ (Sie haben gewonnen) oder „PC win“ (der Computer hat gewonnen, wenn der Computer das Ende zuerst erreicht) angezeigt. Damit stoppt das Training.

## Reinigung und Wartung

Das Gerät bedarf keiner besonderen Wartung. Das Gerät muss nicht neu kalibriert werden, wenn es gemäß den Anweisungen zusammengebaut, verwendet und gewartet wird.

### ⚠️ WARNUNG

- wenden Sie zur Reinigung des Geräts keine Lösungsmittel.
- Reinigen Sie das Gerät nach dem Gebrauch mit einem weichen aufnahmefähigen Lappen.
- Prüfen Sie regelmäßig, ob alle Schrauben und Muttern fest sind.
- Schmieren Sie die Gelenke, falls erforderlich.

### Wasser ändert die Farbe und zieht flockig aus.

#### Mögliche Ursache:

Rudergerät steht in direkter Sonnenbestrahlung oder die Wasserbehandlung ist nicht durchgeführt.

#### Lösung:

- Ändere den Standort außerhalb direkter Sonneneinstrahlung.
- Behandle das Wasser wie beschrieben in „Tankfüllung und Wasserbehandlung“.

## Erneuerung der Batterien (abb. F-2)

Die Konsole hat hinten 2 AA-Batterien.

- Entfernen Sie die Abdeckung.
- Entfernen Sie die alten Batterien.
- Setzen Sie die neuen Batterien ein. Vergewissern Sie sich, dass die Batterien entsprechend den (+) und (-) Polaritätszeichen eingesetzt werden.
- Bringen Sie die Abdeckung an.

## Störungen und Fehlfunktionen

Trotz ständiger Qualitätskontrolle können durch Einzelteile verursachte Störungen und Fehlfunktionen am Gerät auftreten. In den meisten Fällen ist es ausreichend, das defekte Teil zu erneuern.

- Falls das Gerät nicht ordnungsgemäß funktioniert, wenden Sie sich unverzüglich an den Händler.
- Nennen Sie dem Händler Modell- und Seriennummer des Geräts. Schildern Sie die Art des Problems, die Gebrauchsbedingungen und das Kaufdatum.

### Fehlersuche:

- Wenn die LCD-Anzeige verdunkelt ist, sollten die Batterien ausgetauscht werden.
- Wenn Sie trainiert und kein Signal erfolgt, überprüfen Sie bitte, ob das Kabel richtig angeschlossen ist.

### HINWEIS

- Der Hauptbildschirm wird vier Minuten nach einem Trainingstopp ausgeschaltet.
- Wenn der Computer ungewöhnliche Dinge anzeigt, legen Sie die Batterien bitte erneut ein und versuchen Sie es noch einmal.

## Transport und Lagerung

### WARNUNG

- Tragen und bewegen Sie das Gerät mit mindestens zwei Personen.
- Bleiben Sie vor dem Gerät auf beiden Seiten und halten Sie die Handgriffe sicher fest. Heben Sie die Vorderseite des Geräts an, damit die Hinterseite auf die Räder gehoben wird. Bewegen Sie das Gerät und setzen Sie es vorsichtig ab. Stellen Sie das Gerät auf eine schützende Unterlage, um Schäden am Bodenbelag zu vermeiden.
- Bewegen Sie das Gerät vorsichtig über unebene Böden. Bewegen Sie das Gerät nicht auf den Rädern Treppen herauf, sondern tragen Sie es an den Handgriffen.
- Lagern Sie das Gerät an einem trockenen Ort mit möglichst wenig Temperaturschwankungen.

## Zusätzliche Informationen

### Verpackungsentsorgung

Staatliche Vorschriften sagen, dass wir die in Deponien entsorgen Abfallmengen verringern sollen. Daher bitten wir Sie, den gesamten Verpackungsabfall an öffentlichen Recyclingstellen abzugeben

## Entsorgung am ende der Lebensdauer

Wir bei Tunturi hoffen, dass Sie Ihren Fitnesstrainer viele Jahre mit Freude nutzen werden. Jedoch wird irgendwann die Zeit kommen, wenn die Ende der Nutzungsdauer des Fitnesstrainers erreicht ist. Gemäß den europäischen WEEE-Gesetzen sind Sie für eine geeignete Entsorgung des Fitnesstrainers bei einer anerkannten öffentlichen Entsorgungsstelle verantwortlich.

## Technische Daten

Parameter	Maßeinheit	Wert
Telemetrischer Herzfrequenzempfänger	Handgrif kontakt 5.3~ 5.4 Khz. Bluetooth (BLE) ANT+	<input checked="" type="checkbox"/> <input checked="" type="checkbox"/> <input checked="" type="checkbox"/> <input checked="" type="checkbox"/>
Länge	cm inch	211,0 83,1
Breite	cm inch	56,0 22,0
Körpergröße	cm inch	107,0 42,1
Gewicht	kg lbs	39,5 87,1
Max. Benutzergewicht	kg lbs	150 330
Batteriegröße	2x	AA

## Garantie

### Eigentümer-garantie für Tunturi fitnessgeräte.

#### Garantiebedingungen

Der Käufer ist berechtigt die den Handel mit Konsumgütern betreffenden gesetzlichen Rechte gemäß der nationalen Gesetzgebung in Anwendung zu bringen. Diese Rechte werden durch die Garantie nicht eingeschränkt. Bedingungen zu ersetzen. Die Eigentümer-Garantie gilt nur dann, wenn das Gerät in einer für entsprechende Geräte der Tunturi New Fitness BV zugelassenen Anwendungsumgebung verwendet wird. Die für das Gerät zugelassene Anwendungsumgebung wird in der Bedienungsanleitung des Geräts genannt.

#### Garantiedauer

Die Garantie gilt ab Kaufdatum. Die Garantiedauer kann sich je nach Land unterscheiden. Bitte wenden Sie sich an Ihren zuständigen Händler, um die Garantiedauer zu erfahren.

#### Garantieumfang

Unter keinen Umständen haften die Tunturi New Fitness BV oder der Tunturi-Vertragshändler für dem Käufer möglicherweise zugefügte indirekte Schäden wie Gebrauchsbeeinträchtigung oder Einkommensverlust oder anderen wirtschaftlichen Folgeschäden.

#### Einschränkungen der garantie

Die Garantie deckt durch Herstellung oder Material hervorgerufene Fehler des Fitnessgeräts in dessen ursprünglicher Zusammensetzung. Unter Voraussetzung, dass die Aufbau-, Pflege- und Gebrauchsanweisungen von Tunturi befolgt wurden, erstreckt sich die Garantie auf solche Fehler, die bei normaler und einem dem Gerät beiliegenden Anleitungsbuch entsprechender Benutzung auftreten können. Die Tunturi New Fitness BV und der Tunturi-Vertragshändler haften nicht für Fehler, die durch Faktoren außerhalb ihrer

Einflussmöglichkeiten hervorgerufen wurden. Die Garantie gilt nur für den ursprünglichen Eigentümer und nur in den Ländern, in denen es einen von der Tunturi New Fitness BV autorisierten Importeur gibt. Die Garantie gilt nicht für solche Fitnessgeräte oder Teile, an denen ohne Zustimmung der Tunturi New Fitness BV Veränderungen vorgenommen worden sind. Die Garantie betrifft auch nicht solche Schäden, die durch natürlichen Verschleiß, fehlerhaften Gebrauch, Benutzung unter für das Gerät nicht vorgesehenen Umständen, Korrosion, Verladung oder Transport hervorgerufen wurden.

Ersatzleistungen aufgrund von Geräuschen, die beim Einsatz des Geräts auftreten, sind von der Garantie ausgeschlossen, sofern diese Geräusche den Gebrauch des Geräts nicht wesentlich beeinträchtigen und nicht durch einen Gerätefehler bedingt sind.

Die Garantie beinhaltet keine Wartungsmaßnahmen, wie Reinigung, Schmieren oder normales Kontrollieren der Teile, auch nicht solche Aufbaumaßnahmen, die der Kunde selbst ausführen kann und die kein spezielles Auseinander- oder Zusammenbauen des Fitnessgeräts erfordern. Zu solchen Maßnahmen gehört beispielsweise das Austauschen von Cockpits, Pedalen oder anderer entsprechender einfacher Teile. Andere als die durch einen autorisierten Tunturi-Vertreter ausgeführten Garantieleistungen werden nicht ersetzt. Durch unsachgemäße, d.h. nicht der Bedienungsanleitung entsprechenden, Bedienung, verfällt jedweder Garantieanspruch.

## **Herstellererklärung**

---

Tunturi New Fitness BV erklärt hiermit, dass das Produkt folgenden Normen und Richtlinien entspricht: EN 957 (HC), 2014/30/EU. Das Produkt trägt daher das CE-Kennzeichen.

07-2020

Tunturi New Fitness BV  
Purmerweg 1  
1311 XE Almere  
The Netherlands

## **Haftungsausschluss**

---

© 2020 Tunturi New Fitness BV  
Alle Rechte vorbehalten.

- Produkt und Handbuch können geändert werden.
- Die technischen Daten können ohne Vorankündigung geändert werden.
- Auf unserer Website finden Sie die neueste Version des Benutzerhandbuchs.

## Français

Ce manuel français est une traduction de la version anglaise. Notez que la version anglaise est en tête dans le contenu lorsque des différences sont trouvées.

## Indice

<b>Rameur</b> .....	<b>28</b>
<b>Avertissements de sécurité</b> .....	<b>28</b>
<b>Instructions de montage</b> .....	<b>29</b>
Description (fig. A).....	29
Contenu de l'emballage (fig. B & C).....	29
Assemblage (fig. D) .....	29
<b>Réglage du niveau du réservoir d'eau</b> .....	<b>29</b>
Remplir le réservoir d'eau (Fig. E-3) .....	29
Retirer de l'eau de réservoir (Fig. E-4) .....	29
Traitement de l'eau.....	29
<b>Exercices</b> .....	<b>29</b>
Instructions d'entraînement.....	29
Fréquence cardiaque.....	30
<b>Usage</b> .....	<b>31</b>
Réglage des pieds de support (fig. E-1).....	31
Régler la résistance.....	31
Régler la tension de l'élastique (fig. E-2).....	31
Comment ramer .....	31
<b>Console (fig. F-1)</b> .....	<b>31</b>
Explication des fonctions à l'écran .....	32
Explication des boutons .....	32
Fonctionnement .....	33
Programmes .....	33
<b>Nettoyage et maintenance</b> .....	<b>33</b>
L'eau change de couleur ou se trouble .....	33
Remplacement des piles (fig. F-2) .....	33
<b>Défauts et dysfonctionnements</b> .....	<b>33</b>
<b>Transport et rangement</b> .....	<b>34</b>
Informations supplémentaires .....	34
<b>Données techniques</b> .....	<b>34</b>
<b>Garantie</b> .....	<b>34</b>
<b>Déclaration du fabricant</b> .....	<b>35</b>
<b>Limite de responsabilité</b> .....	<b>35</b>

## Rameur

Bienvenue dans l'univers de Tunturi Fitness !

Merci pour votre achat de cet élément d'équipement Tunturi. Tunturi offre toute une gamme d'équipements de fitness professionnels, notamment des vélos elliptiques, tapis de course, vélos d'appartement, rameurs et accessoires. Les équipements Tunturi sont parfaits pour toute la famille, quel que soit le niveau de forme de ses membres. Pour en savoir plus, visitez notre site Web [www.tunturi.com](http://www.tunturi.com)

### Consignes de sécurité importantes

Lisez attentivement ce mode d'emploi avant d'assembler, d'utiliser ou d'effectuer l'entretien de votre appareil sportif. Veuillez conserver ce guide, il contient les renseignements dont vous aurez besoin, maintenant et plus tard, pour utiliser et entretenir votre appareil. Suivez toujours les instructions très rigoureusement.

## Avertissements de sécurité

### ⚠ AVERTISSEMENT

- Lisez les avertissements de sécurité et les instructions. Le non respect des avertissements de sécurité et des instructions est une source de blessure et de dégâts de l'équipement. Conservez les avertissements de sécurité et les instructions pour référence ultérieure.

### ⚠ AVERTISSEMENT

- Les systèmes de suivi de la fréquence cardiaque peuvent être inexacts. Un exercice excessif peut entraîner des blessures graves voire mortelles. Si vous vous sentez défaillir, interrompez immédiatement l'exercice.

- L'équipement est uniquement adapté à un usage domestique. L'équipement ne convient pas à un usage commercial.
- La durée d'utilisation maximum est limitée à 2 heures par jour.
- L'emploi de cet équipement par des enfants ou des personnes affectés d'un handicap physique, sensoriel, mental ou moteur, voire dont l'expérience ou les connaissances s'avèrent insuffisantes est une source de risques. Les personnes chargées de leur sécurité doivent leur fournir des instructions explicites ou superviser leur usage de l'équipement.
- Avant de commencer vos exercices, effectuez un bilan de santé auprès d'un médecin.
- Si vous êtes pris de nausées ou de vertiges ou sentez d'autres symptômes normaux pendant l'entraînement, interrompez immédiatement la session et consultez votre médecin.
- Afin d'éviter toutes douleurs et tensions musculaires, commencez vos séances par des échauffements et terminez-les par une récupération. N'oubliez pas de vous étirer après vos exercices.
- L'équipement est uniquement adapté à un usage intérieur. L'équipement ne convient pas à un usage extérieur.
- Utilisez l'équipement uniquement dans des environnements correctement ventilés. N'utilisez pas l'équipement dans des endroits exposés aux courants d'air afin de ne pas vous enrhumier.
- Utilisez l'équipement uniquement à une température ambiante entre 10 °C et 35 °C. Rangez l'équipement uniquement à une température ambiante entre 5 °C et 45 °C.
- N'utilisez et ne rangez pas l'équipement dans un environnement humide. L'humidité de l'air ne doit jamais dépasser 80 %.
- Utilisez l'équipement uniquement pour son usage prévu. N'utilisez pas l'équipement pour d'autres usages que ceux décrits dans le manuel.
- N'utilisez pas l'équipement si l'une de ses pièces est endommagée ou défectueuse. Si une pièce est endommagée ou défectueuse, contactez votre revendeur.
- Maintenez vos mains, vos pieds et les autres parties de votre corps à l'écart des pièces mobiles.
- Maintenez votre chevelure à l'écart des pièces mobiles.
- Portez des vêtements et des chaussures adaptés.
- Maintenez les vêtements, bijoux et autres objets à l'écart des pièces mobiles.
- Assurez-vous qu'une seule personne utilise l'équipement à la fois. L'équipement ne doit pas être utilisé par des personnes pesant plus de 150 kg (330 lbs).
- N'ouvrez pas l'équipement sans consulter votre revendeur.

## Instructions de montage

### Description (fig. A)

Votre rameur est un élément d'équipement de fitness stationnaire servant à simuler le mouvement de ramer sans exercer de pression excessive sur les jointures.

### Contenu de l'emballage (fig. B & C)

- L'emballage contient les pièces illustrées en fig. B.
- L'emballage contient les fixations illustrées en fig. C. Voir la section "Description".

#### NOTE

- Si une pièce manque, contactez votre revendeur.

### Assemblage (fig. D)

#### AVERTISSEMENT

- Assemblez l'équipement dans l'ordre indiqué.
- Deux personnes au moins sont nécessaires pour transporter et déplacer l'équipement.

#### PRÉCAUTION

- Placez l'équipement sur une surface plane et ferme.
- Placez l'équipement sur une base protectrice pour éviter d'endommager la surface du sol.
- Prévoyez un dégagement d'au moins 100 cm autour de l'équipement.

- Consultez les illustrations pour l'assemblage correct de l'équipement.

## Réglage du niveau du réservoir d'eau

### Remplir le réservoir d'eau (Fig. E-3)

- Retirer le bouchon en caoutchouc situé sur le dessus du réservoir.
- Mettre un grand seau d'eau à côté du rameur et positionner le siphon avec le tuyau rigide dans le seau et le tuyau flexible dans le réservoir, comme illustré. Vérifier que la petite soupape respiratoire sur le dessus du siphon est bien fermée avant de verser de l'eau.

#### NOTE

- Pour remplir le réservoir au maximum, 13 litres d'eau sont nécessaires.
- Si l'eau est de mauvaise qualité, il est recommandé d'utiliser de l'eau distillée.
- Mettre le seau plus haut que le réservoir permettra au siphon de pomper automatiquement en ajoutant de l'eau dans le réservoir.
- Penser à utiliser une serviette sous le seau et le réservoir d'eau pour éviter de mouiller le sol.

#### AVERTISSEMENT

- Si vous amenez le niveau d'eau au-dessus du niveau maximum, cela peut entraîner des fuites d'eau pendant l'entraînement.
- Commencer par remplir le réservoir en appuyant sur le siphon. Utiliser le repère de niveau situé sur le côté du réservoir pour mesurer le volume d'eau versé.

- Après avoir rempli le réservoir au niveau souhaité, ouvrir la soupape située sur le dessus du siphon pour que le trop-plein d'eau se vide.
- Vérifier que le bouchon du réservoir est bien remis en place après avoir terminé les opérations de remplissage et de traitement d'eau.

### Retirer de l'eau de réservoir (Fig. E-4)

- Retirer le bouchon du réservoir.
- Insérer le tuyau rigide du siphon dans le réservoir.
- Insérer le tuyau flexible du siphon dans un grand seau.
- Vider le réservoir (environ 20 % de l'eau restera dans le réservoir. Le réservoir ne peut être vidé complètement sans être démonté).
- Remplir le réservoir en suivant les instructions fournies dans la section « Remplir le réservoir » de ce manuel.

#### NOTE

- Si un programme de traitement de l'eau est mis en place, il ne sera pas nécessaire de changer l'eau dans le réservoir. Une tablette de traitement de l'eau supplémentaire n'est nécessaire qu'en cas de décoloration de l'eau.
- L'exposition à la lumière du soleil trouble l'eau. Installer le rameur dans un endroit éloigné de la lumière directe du soleil permettra d'espacer la fréquence des traitements.

### Traitement de l'eau

- Mettre une tablette de traitement de l'eau.
- Mettre une tablette de traitement de l'eau à chaque fois que l'eau est sale ou trouble au fil du temps.

#### AVERTISSEMENT

- N'utiliser que les tablettes de traitement de l'eau fournies par Tunturi.

## Exercices

Un exercice doit être suffisamment léger mais prolongé. L'exercice aérobique repose sur l'amélioration de l'absorption maximum d'oxygène par le corps, améliorant à son tour l'endurance et la forme. Vous devez transpirer mais sans jamais être à bout de souffle durant l'exercice.

Pour atteindre et entretenir un niveau de forme basique, exercez-vous au moins 3 fois par semaine, par session de 30 minutes. Accroissez le nombre des sessions d'exercice pour améliorer votre niveau de forme. Il est profitable de combiner un exercice régulier et un régime sain. Une personne suivant un régime doit s'exercer au quotidien, au début 30 minutes ou moins pour chaque session afin d'accroître ensuite progressivement le temps d'exercice quotidien pour atteindre une heure. Commencez vos exercices à une vitesse lente et avec une faible résistance pour éviter de soumettre le système cardiovasculaire à une contrainte excessive. À mesure de l'amélioration de votre forme, accroissez progressivement la vitesse et la résistance. L'efficacité de votre exercice est mesurable en suivant votre fréquence cardiaque et votre pouls.

### Instructions d'entraînement

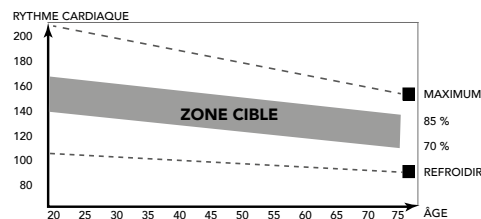
L'utilisation de votre appareil de fitness vous procurera plusieurs avantages : il vous permettra d'améliorer votre forme physique, de tonifier vos muscles et, associé à un régime hypocalorique, de perdre du poids.

## Phase d'échauffement

Cette étape favorise la circulation du sang dans tout le corps et le bon fonctionnement des muscles. Elle réduit également le risque de crampes et de lésions musculaires. Il est conseillé de faire quelques exercices d'étirement, comme ceux qui sont indiqués ci-dessous. Chaque étirement doit être maintenu pendant environ 30 secondes. Ne forcez pas ou n'étirez pas excessivement un muscle. Si vous sentez qu'une position vous fait mal, ARRÊTEZ.

## Phase d'exercice

C'est l'étape principale de votre entraînement. Après une utilisation régulière de l'appareil, vous sentirez que les muscles de vos jambes ont gagné en souplesse. Il est très important de maintenir un rythme régulier tout au long de la séance. Le rythme de travail doit être suffisant pour faire monter votre rythme cardiaque dans la zone cible indiquée sur le graphique ci-dessous.



Cette étape doit durer au moins 12 minutes, bien que l'on commence généralement à environ 15-20 minutes.

## Phase de refroidissement

Cette étape a pour objectif de laisser votre système cardiovasculaire et vos muscles reprendre leur rythme normal. Il s'agit d'une répétition de l'exercice d'échauffement. Baissez le rythme et continuez pendant environ 5 minutes. Vous devez ensuite refaire les exercices d'étirement et souvenez-vous de ne pas forcer ou trop étirer un muscle dans une certaine position.

À mesure que vous améliorerez votre forme, vous ressentirez peut-être le besoin de vous entraîner plus longtemps ou de faire des entraînements plus poussés. Il est conseillé de s'entraîner au moins trois fois par semaine et, si possible, d'espacer les séances régulièrement tout au long de la semaine.

## Tonification musculaire

Pour tonifier vos muscles à l'aide de l'appareil de fitness, vous devrez sélectionner une résistance assez élevée. Les muscles de vos jambes seront davantage sollicités et vous ne pourrez peut-être pas vous entraîner aussi longtemps que vous le voudriez. Si vous souhaitez également améliorer votre forme, vous devrez modifier votre programme d'entraînement. Entraînez-vous normalement pendant les phases d'échauffement et de refroidissement, mais vers la fin de l'exercice, augmentez la résistance en faisant travailler vos jambes davantage. Vous devrez réduire la vitesse pour maintenir votre rythme cardiaque dans la zone cible.

## Perte de poids

Ici, le facteur important est l'effort que vous déployez. Plus vous entraînez longtemps et de manière soutenue, plus vous brûlerez de calories. C'est en réalité le même principe que pour l'entraînement d'amélioration de la forme ; la différence est l'objectif recherché.

## Fréquence cardiaque

### Mesure de la fréquence cardiaque (sangle thoracique de fréquence cardiaque)

#### NOTE

- Une sangle de poitrine ne vient pas standard avec cet entraîneur. Lorsque vous souhaitez utiliser une sangle de poitrine sans fil, vous devez l'acheter en tant qu'accessoire.

La sangle thoracique de fréquence cardiaque assure la mesure de fréquence cardiaque la plus précise. La fréquence cardiaque est mesurée par un récepteur combiné à la sangle thoracique de fréquence cardiaque. Une mesure précise de la fréquence cardiaque nécessite des électrodes de sangle émettrice légèrement humides et en contact constant avec la peau. Si les électrodes sont trop sèches ou humides, la mesure de la fréquence cardiaque peut devenir moins précise.

#### AVERTISSEMENT

- Si vous portez un stimulateur cardiaque, consultez votre médecin avant d'utiliser une sangle thoracique de fréquence cardiaque.

#### PRÉCAUTION

- Si plusieurs dispositifs de mesure de la fréquence cardiaque sont proches les uns des autres, assurez-vous qu'ils sont au moins distants de 2 mètres.
- En présence d'un récepteur unique de fréquence cardiaque pour plusieurs émetteurs, assurez-vous qu'une seule personne avec un émetteur est à portée de transmission.

#### NOTE

- Portez toujours la sangle thoracique de fréquence cardiaque sous vos vêtements, en contact direct avec votre peau. Ne portez pas votre sangle thoracique de fréquence cardiaque par-dessus vos vêtements. Si vous portez la sangle thoracique de fréquence cardiaque sur vos vêtements, il n'y a pas de signal.
- Si vous réglez une fréquence cardiaque limite pour votre exercice, une alarme retentit dès qu'elle est dépassée.
- L'émetteur transmet la fréquence cardiaque à une console jusqu'à une distance de 1,5 mètre. Si les électrodes ne sont pas suffisamment mouillées, votre fréquence cardiaque ne s'affiche pas.
- Certaines fibres des vêtements (par ex. polyester, polyamide) créent de l'électricité statique qui peut empêcher la mesure précise de la fréquence cardiaque.
- Les téléphones portables, télévisions et autres appareils électriques créent un champ électromagnétique susceptible d'empêcher une mesure précise de la fréquence cardiaque.

### Fréquence cardiaque maximum (durant l'exercice)

La fréquence cardiaque maximum est la fréquence la plus élevée qu'une personne peut atteindre en toute sécurité sous la contrainte de l'exercice. La formule suivante sert à calculer la fréquence cardiaque maximum moyenne :  $220 - \text{ÂGE}$ . La fréquence cardiaque maximum varie d'une personne à l'autre.

#### AVERTISSEMENT

- Assurez-vous de ne pas dépasser votre fréquence cardiaque maximum durant l'exercice. Si vous appartenez à un groupe à risque, consultez un médecin.

### Débutant

#### 50-60% de fréquence cardiaque maximum

Adapté aux débutants, aux personnes suivant leur poids, aux convalescents et aux personnes ne s'exerçant pas depuis un certain temps. Exercez-vous au moins trois fois par semaine, par session de 30 minutes.

### Avancé

#### 60-70% de fréquence cardiaque maximum

Adapté aux personnes souhaitant améliorer et entretenir leur forme. Exercez-vous au moins trois fois par semaine, par session de 30 minutes.

### Expert

#### 70-80% de fréquence cardiaque maximum

Adapté aux personnes les plus en forme, habituées aux exercices d'endurance prolongés.

## Usage

### Réglage des pieds de support (fig. E-1)

L'équipement comporte 2 pieds de support. Si l'équipement est instable, vous pouvez régler les pieds de support.

- Tournez les pieds de support, selon les besoins, pour placer l'équipement en position stable.
- Serrez les écrous d'arrêt pour bloquer les pieds de support.

#### NOTE

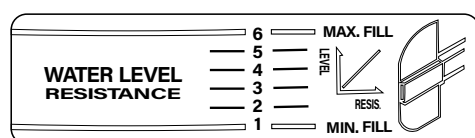
- La stabilité de la machine est maximisée lorsque tous les pieds de support sont complètement tournés vers l'intérieur. Vous devez donc commencer à mettre la machine de niveau en tournant tous les pieds de support vers l'intérieur avant de sortir les pieds de support requis pour stabiliser la machine

### Régler la résistance

Pour augmenter ou diminuer la résistance, réglez le niveau de l'eau.

- Plus il y a d'eau, plus la résistance augmente.
- Moins il y a d'eau, plus la résistance diminue.

La graduation sur le réservoir d'eau vous aide à trouver et régler une résistance adéquate.



Max. fill	6	± 12.8 ltr
	5	± 11.9 ltr
	4	± 11.1 ltr
	3	± 10.5 ltr
	2	± 9.5 ltr
Min. fill	1	± 8.5 ltr

### Régler la tension de l'élastique (fig. E-2)

Quand vous avez le sentiment que pendant l'entraînement, la corde du guidon ne se rembobine pas assez ou pas assez vite, vous pouvez ajuster l'élastique comme suit.

- Mettez le rameur en position verticale.
- Localisez l'élastique sous le cadre du réservoir d'eau.

- Remplacez l'élastique de A à B (si l'élastique est déjà en position B, placez-le sur C)
- Remplacez le rameur en position d'entraînement et vérifiez si la modification suffit.

### Comment ramer

	<b>Prise d'eau</b> Confortablement en avant avec le dos et les bras droits.
	<b>Attaque</b> Poussez avec les jambes en laissant les bras droits.
	<b>Dégagé</b> Tirer avec les bras et les jambes tout en basculant légèrement vers l'arrière sur le bassin.
	<b>Retour sur l'avant</b> Le haut du corps bascule vers l'avant au-dessus du bassin et se déplace vers l'avant.
	<b>Prise d'eau</b> Retour à la position de départ et début d'un nouveau mouvement.

#### Prise d'eau - Attaque

Commencez le mouvement confortablement installé en position avant et poussez fortement vers l'arrière avec les jambes tout en maintenant les bras et le dos droit.

#### Dégagé

Ramenez les bras vers le torse en passant au dessus des genoux et continuez le mouvement jusqu'à la fin en basculant légèrement en arrière sur le bassin.

#### Retour sur l'avant - Prise d'eau

Revenez à la position de départ et recommencez.

#### PRÉCAUTION

- Consultez toujours un médecin avant de commencer un programme d'exercice.
- Arrêtez immédiatement en cas de sensation d'évanouissement ou d'étourdissement.

### Console (fig. F-1)

#### PRÉCAUTION

- Maintenez la console à l'écart de la lumière directe du soleil.
- Séchez la surface de la console dès qu'elle est couverte de gouttes de sueur.
- Ne vous appuyez pas sur la console.
- Touchez l'affichage uniquement avec le bout du doigt. Assurez-vous de ne pas toucher l'affichage avec vos ongles ou des objets coupants.



## NOTE

- La console passe en mode de veille si l'équipement n'est pas utilisé pendant 4 minutes.

## Explication des fonctions à l'écran

### Durée (Time)

- La durée est additionnée sans définir de valeur cible.
- Lorsqu'une valeur cible est fixée, la durée est comptée à rebours, de la valeur cible à 0 et l'alarme résonnera ou clignotera. (Pendant le compte à rebours, « Reste » s'affiche)
- La durée S'ARRÊTE si aucun signal n'est transmis au moniteur pendant 4 secondes au cours de l'entraînement.
- Plage 0:00~99:59 / ± 1:00

### Durée/ 500 m

Affiche le temps requis pour parcourir 500 m en fonction de l'intensité actuelle du rameur.

### Distance

- La distance parcourue est additionnée sans définir de valeur cible.
- Lorsqu'une valeur cible est fixée, la distance est comptée à rebours, de la valeur cible à 0 avec une alarme sonore ou clignotante. (Pendant le compte à rebours, « Reste » s'affiche)
- Plage: 0~99900 / ± 100 (mtr.)

### Calories

- Les calories s'additionnent sans définir de valeur cible.
- Portée: 0~9990

## REMARQUE

- Ces données sont fournies à titre indicatif pour comparer entre différentes séances d'entraînement ; elles ne doivent pas être utilisées dans le cadre d'un traitement médical.

### Rythme cardiaque

- Le pouls actuel s'affiche après 6 secondes de la détection par la console.
- A + Pouls : Lorsque vous arrêtez l'entraînement, l'écran affichera la valeur du pouls moyen du dernier entraînement.

### Raclée

- Sans définir la valeur cible, les barres sont comptées.
- Lorsque vous définissez la valeur cible, les barres de la plage cible sont décomptées à 0 avec une alarme ou un flash. (Pendant le compte à rebours, "Restant" est affiché)
- Plage 0 ~ 9990 / ± 10

### Mouvements totaux

affichera les mouvements totaux de tous les entraînements. Cette valeur ne peut être réinitialisée qu'en changeant les piles.

### SPM

- SPM est le nombre de mouvements par minute, et indique la moyenne des mouvements par minute pendant l'entraînement.
- Il est possible d'en définir l'objectif dans la plage 20~80 en mode exercice.
- A + SPM : Lorsque vous arrêtez l'entraînement, l'écran affichera la valeur SPM moyenne du dernier entraînement.

### Mode veille

En mode veille, la console affichera :

- Temps réel (HH:MM)
- Date réelle (JJ/MM/AAAA)
- Température ambiante (°Celsius)

Pour configurer les bons réglages d'heure/date,

- Appuyez et maintenez le bouton « Réinitialiser » pendant 3 secondes pour entrer en mode de programmation de l'heure/date.
- Utilisez les touches « Haut/Bas » pour modifier les paramètres d'heure/date et « Entrée » pour confirmer les réglages.

### Fonction Alarme

Après avoir configuré les réglages d'heure/date, vous pouvez aussi choisir de configurer une alarme (l'alarme peut uniquement sonner en mode veille).

- Configurez l'alarme en mode marche ou arrêt en utilisant les touches « Haut/Bas » et confirmez avec « Entrée ».
- Si l'alarme est en mode marche (la cloche apparaît), les chiffres de l'heure clignoteront. Configurez le temps requis en heure de l'alarme en utilisant les touches « Haut/Bas » et confirmez avec « Entrée ».
- Effectuez la même chose pour les minutes et confirmez avec « Entrée ».
- Votre alarme est configurée et sera activée (uniquement si la console est en mode veille)

## Explication des boutons

### Haut (up)

- Sélection du réglage.
- Diminuer la valeur du paramètre.

### Bas

- Sélection du réglage.
- Diminuer la valeur du paramètre.

### Entrée

- Confirmer le réglage (en mode de programmation)
- Scanner les paramètres (en mode entraînement)
- 

### Marche/Arrêt

- Commencer votre entraînement (en mode de programmation).
- Arrêter (interrompre) votre entraînement (en mode entraînement).
- Reprendre l'entraînement (en mode arrêt).
- 

### Réinitialiser

- En mode réglage, appuyez sur la touche « RÉINITIALISER » pour réinitialiser toutes les données actuelles des fonctions.
- Maintenez la touche « RÉINITIALISER » enfoncée pendant 2 secondes pour réinitialiser tous les chiffres des fonctions et redémarrer la console.

### Récupération (recovery)

- La touche RECOVERY (récupération) est valide si un pouls est décelé.
- TIME (durée) affiche « 0:60 » (secondes) et compte à rebours jusqu'à 0. (Fig. F-19)
- L'ordinateur affiche F1 à F6 (Fig. F20) après le compte à rebours afin de tester l'état de récupération du rythme cardiaque. Le niveau de récupération du rythme cardiaque peut être retrouvé dans le graphique ci-après.
- Appuyer à nouveau sur la touche RECOVERY (récupération) pour revenir au début.



F1	Remarquable
F2	Excellent
F3	Bon
F4	Acceptable
F5	Inférieur à la moyenne
F6	Mauvais

## Fonctionnement

### Marche

- Appuyer sur une touche pour mettre en marche la console en mode veille.
- Commencez vos exercices pour allumer la console en mode veille.

### Mettre hors tension

Le moniteur passe automatiquement en mode Veille si aucun signal n'est transmis au moniteur pendant 4 minutes. (Les données d'entraînement actives seront perdues)

#### ⚠ AVERTISSEMENT

- Il est conseillé de retirer les piles si l'équipement ne va pas être utilisé pendant une longue période.

## Programmes

### Mode manuel

- Sélectionnez « MANUEL » et confirmez en appuyant sur « Entrée »
- Réglez votre objectif d'entraînement pour « Durée, Distance, Mouvements, Calories et H.R.C. » en utilisant les touches « Haut/Bas » et confirmez avec « Entrée ».
- Appuyez sur le bouton « MARCHÉ/ARRÊT » pour commencer l'entraînement programmé.

#### 📌 REMARQUE

- Un seul objectif peut être défini ; les objectifs non définis doivent être confirmés en tant qu'objectif cible « 0 ».
- Le H.R.C. n'est pas un objectif de fin d'entraînement, il sert uniquement d'avertissement.
- Lorsqu'un objectif est défini, l'entraînement s'achève lorsque ce dernier est atteint.
- L'entraînement se poursuit jusqu'à ce que l'utilisateur y mette fin si aucun objectif n'est défini.

### Mode course

- Appuyez sur le bouton « mode » pour sélectionner le « mode course » et confirmez en appuyant sur le bouton « Entrée ».
  - L9 sera affiché, utilisez la touche « Haut/Bas » pour définir le niveau du « Mode course » requis et confirmez avec « Entrée ».
- « Durée/500 » affiché est le temps affiché par le PC que vous devez battre

Mode	Time/ 500
L1	8:00 min
L2	7:30 min
L3	7:00 min
L4	6:30 min
L5	6:00 min
L6	5:30 min
L7	5:00 min
L8	4:30 min
L9	4:00 min
L10	3:30 min
L11	3:00 min

L12	2:30 min
L13	2:00 min
L14	1:30 min
L15	1:00 min

- Réglez la distance d'entraînement souhaitée ( $\pm$  500 m) et confirmez avec « Entrée ».
- Appuyez sur le bouton « Marche/Arrêt » pour lancer un compte à rebours de 3 secondes avant le début de votre entraînement.

#### 📌 REMARQUE

- L'entraînement s'arrêtera lorsque l'ordinateur (PC) ou vous (Utilisateur) aurez atteint la fin en premier.
- La console affichera « vous avez gagné » ou « vous avez perdu » lorsque l'ordinateur ou vous atteindrez l'objectif en premier, et arrêtera l'entraînement.

## Nettoyage et maintenance

Cet équipement ne nécessite aucune maintenance spéciale. L'équipement n'a besoin d'aucune calibration après son assemblage, son utilisation et son entretien conformément aux instructions.

#### ⚠ AVERTISSEMENT

- N'utilisez aucun solvant pour nettoyer l'équipement.

- Nettoyez l'équipement avec un chiffon doux et absorbant après chaque usage.
- Vérifiez régulièrement le serrage de tous les écrous et vis.
- Si nécessaire, lubrifiez les joints.

## L'eau change de couleur ou se trouble

### Cause possible :

Le rameur est exposé à la lumière directe du soleil ou n'a été traitée.

### Solution :

- Changer l'emplacement du rameur pour réduire l'exposition directe à la lumière du soleil.
- Traiter l'eau ou changer l'eau du réservoir selon les instructions de la section de traitement de l'eau de ce manuel.

## Remplacement des piles (fig. F-2)

La console comporte 2 piles AA sur sa partie arrière.

- Retirez le cache.
- Retirez les piles usagées.
- Insérez les nouvelles piles. Assurez-vous de respecter les indications de polarité (+) et (-). Montez le cache.

## Défauts et dysfonctionnements

Malgré un contrôle continu de la qualité, des défauts ou des dysfonctionnements peuvent être occasionnés par des composants individuels. La plupart du temps, il vous suffit de remplacer la pièce défectueuse.

- Si l'équipement ne fonctionne pas correctement, contactez immédiatement le revendeur.
- Fournissez le numéro de modèle et le numéro de série de l'équipement au revendeur. Mentionnez la nature du problème, les conditions d'usage et la date d'achat.

## Résolution des pannes :

- Les piles doivent être changées lorsque l'affichage LCD devient sombre.
- Vérifier que le câble est bien branché s'il n'y a aucun signal lorsque vous rains.

### NOTE

- L'écran principal s'éteindra si l'entraînement est à l'arrêt pendant 4 minutes.
- Si l'affichage de l'ordinateur n'est pas normal, veuillez réinstaller les piles et réessayer.

## Transport et rangement

### AVERTISSEMENT

- Deux personnes au moins sont nécessaires pour transporter et déplacer l'équipement.
- En vous tenant devant l'équipement de chaque côté, saisissez fermement ses guidons. Levez l'avant de l'équipement pour que l'arrière repose sur les roues. Déplacez l'équipement et reposez-le prudemment. Placez l'équipement sur une base protectrice pour éviter d'endommager la surface du sol.
- Déplacez prudemment l'équipement sur les surfaces irrégulières. Ne déplacez pas l'équipement sur ses roues pour monter des escaliers mais transportez-le par les guidons.
- Rangez l'équipement dans un endroit sec exposé à des variations de température minimales.

## Informations supplémentaires

### Élimination des emballages

Les réglementations gouvernementales nous demandent de réduire la quantité de matériaux déposés dans les décharges. C'est pour cela que nous faisons appel à votre responsabilité et vous demandons de déposer les emballages dans des centres de recyclage publics.

### Élimination du produit

Chez Tunturi, nous espérons que vous profiterez longtemps de votre appareil de fitness. Cependant, nous savons bien qu'un jour ou l'autre votre machine arrivera au terme de sa vie utile. Selon la directive européenne sur les DEEE, vous êtes responsable de vous séparer correctement de votre appareil de fitness en le déposant dans un site public agréé de récupération des déchets.

## Données techniques

Paramètre	Unité de mesure	Valeur
Récepteur de fréquence cardiaque télémétrique	Contact avec la poignée 5.3~ 5.4 Khz. Bluetooth (BLE) ANT+	<input checked="" type="checkbox"/> <input checked="" type="checkbox"/> <input checked="" type="checkbox"/> <input checked="" type="checkbox"/>
Longueur	cm inch	211,0 83,1
Largeur	cm inch	56,0 22,0
Hauteur	cm inch	107,0 42,1
Poids	kg lbs	39,5 87,1
Poids maxi. utilisateur	kg lbs	150 330
Taille de pile	2x	AA

## Garantie

### Garantie du propriétaire d'un équipement de Tunturi

#### Conditions de garantie

Le consommateur dispose des droits légaux accordés par la législation nationale applicable au commerce des produits de consommation courante et cette garantie ne limite ces droits en aucun cas. La « Garantie du propriétaire » est valable uniquement si l'équipement est utilisé dans l'environnement correspondant à celui déterminé par Tunturi New Fitness BV. L'environnement d'utilisation de chaque appareil est mentionné dans le mode d'emploi fourni avec l'appareil en question.

#### Conditions de garantie

Les conditions de garantie sont applicables à compter de la date d'achat et peuvent varier selon les pays. Demandez conseil à votre revendeur.

#### Étendue de la garantie

En aucun cas Tunturi New Fitness BV, le revendeur ou le distributeur Tunturi ne répondra des éventuels dommages spéciaux, indirects, secondaires ou consécutifs, de quelque nature que ce soit, liés à l'utilisation de ou à l'inaptitude à utiliser cet équipement.

#### Restrictions de garantie

La garantie couvre les défauts de fabrication et de matériaux dans un équipement d'origine, sorti d'usine et conditionné par Tunturi New Fitness BV. La garantie couvre uniquement les défauts apparaissant lors d'une utilisation normale et conforme aux instructions du manuel du propriétaire, à condition que les instructions de montage, de maintenance et d'utilisation établies par Tunturi New Fitness BV aient été respectées. Tunturi New Fitness BV et les revendeurs Tunturi ne répondent pas des défauts occasionnés par des conditions indépendantes de leur volonté. La garantie est applicable uniquement au premier acheteur et est valable uniquement dans les pays où

Tunturi New Fitness BV dispose d'un distributeur agréé. La garantie ne s'étend pas aux équipements de fitness ou aux pièces qui ont été modifiées sans l'autorisation de Tunturi New Fitness BV. La garantie ne s'applique pas aux défauts provenant d'une usure normale, d'une utilisation inadaptée, d'une utilisation dans des conditions non prévues par le fabricant, de la corrosion ou d'un dommage intervenu lors du chargement ou du transport.

La garantie ne couvre pas les sons ou les bruits émis par l'équipement s'ils ne gênent pas son utilisation et s'ils ne sont pas provoqués par un dysfonctionnement.

La garantie ne couvre pas non plus les mesures de maintenance, telles que le nettoyage, la lubrification ou la vérification normale des pièces, ni les actions que le client peut effectuer lui-même et qui n'exigent pas particulièrement de monter/ démonter l'équipement. Ces actions sont par exemple le changement des compteurs, des pédales ou autres pièces similaires faciles à changer. Seules les réparations sous garantie effectuées par un revendeur ou par le distributeur agréé Tunturi seront prises en charge. Le non-respect des instructions décrites dans le Manuel de l'Utilisateur entraînera l'annulation de la garantie.

## Déclaration du fabricant

---

Tunturi Fitness BV déclare que le produit est conforme aux directives et normes suivantes : EN 957 (HC), 2014/30/EU. Ce produit porte donc la marque CE.

07-2020

Tunturi New Fitness BV  
Purmerweg 1  
1311 XE Almere  
Pays-Bas

## Limite de responsabilité

---

© 2020 Tunturi New Fitness BV  
Tous les droits réservés.

- Le produit et le manuel sont sujets à modifications.
- Les spécifications peuvent changer sans préavis.
- Consultez notre site Web pour obtenir la dernière version du manuel d'utilisation.

## Nederlands

Deze Nederlandse handleiding is een vertaling van de Engelse tekst. Aan deze vertaling kunnen geen rechten ontleend worden. De originele Engelse tekst blijft leidend.

## Inhoud

<b>Roeistrainer .....</b>	<b>36</b>
<b>Veiligheidswaarschuwingen.....</b>	<b>36</b>
<b>Montage instructies.....</b>	<b>37</b>
Beschrijving (fig. A).....	37
Inhoud van de verpakking (fig. B&C).....	37
Assemblage (fig. D).....	37
<b>Het waterniveau van de tank aanpassen.....</b>	<b>37</b>
De tank vullen met water (Fig. E-3).....	37
Water uit de tank verwijderen (Fig. E-4).....	37
Het water zuiveren.....	37
<b>Trainingen .....</b>	<b>37</b>
Instructies.....	37
Hartslag .....	38
<b>Gebruik.....</b>	<b>38</b>
Afstellen van de steunvoeten (fig. E-1).....	38
Weerstand aanpassen.....	39
Spanning van trekkabel aanpassen (fig. E-2).....	39
Hoe te roeien.....	39
<b>Console (fig. F-1) .....</b>	<b>39</b>
Uitleg van de displayfuncties.....	39
Uitleg van de knoppen .....	40
Bediening .....	40
Programma's.....	41
<b>Reiniging en onderhoud .....</b>	<b>41</b>
Het water is verkleurd of is troebel.....	41
Vervangen van de batterijen (fig. F-2).....	41
<b>Defecten en storingen .....</b>	<b>41</b>
<b>Transport en opslag.....</b>	<b>42</b>
Aanvullende informatie .....	42
<b>Technische gegevens .....</b>	<b>42</b>
<b>Garantie .....</b>	<b>42</b>
<b>Verklaring van de fabrikant .....</b>	<b>43</b>
<b>Disclaimer .....</b>	<b>43</b>

## Roeistrainer

Welkom in de wereld van Tunturi Fitness!

Hartelijk dank voor uw aankoop van dit Tunturi-toestel. Tunturi biedt een grote verscheidenheid aan professionele toestellen zoals crosstrainers, loopbanden, fietstrainers, roeimachines en accessoires. Het Tunturi-toestel is geschikt voor de hele familie, onafhankelijk van de conditie. Meer informatie vindt u op de website [www.tunturi.com](http://www.tunturi.com)

### Belangrijke Informatie

Deze gids is een essentieel onderdeel van uw Tunturi looptrainer. Lees deze gids zorgvuldig door vóórdat u begint met monteren, gebruiken of onderhouden van uw looptrainer. Bewaar de gids op een handige plaats. U kunt er, nu en in de toekomst, nuttige informatie uithalen die u nodig heeft voor het gebruik en het onderhoud van de apparatuur. Volg de instructies altijd met zorg op.

## Veiligheidswaarschuwingen

### ⚠ WAARSCHUWING

- Lees de veiligheid-waarschuwingen en de instructies. Het niet opvolgen van de veiligheid-waarschuwingen en de instructies kan persoonlijk letsel of beschadiging van het toestel veroorzaken. Bewaar de veiligheid-waarschuwingen en instructies voor toekomstig gebruik.

### ⚠ WAARSCHUWING

- Hartslag-bewakingssystemen kunnen onnauwkeurig zijn. Overmatig trainen kan leiden tot ernstig letsel of de dood. Als u zich duizelig voelt, stop dan onmiddellijk met trainen.

- Het toestel is uitsluitend geschikt voor huishoudelijk gebruik. Het toestel is niet geschikt voor commercieel gebruik.
- Het maximum gebruik is beperkt tot 2 uur per dag
- Het gebruik van dit toestel door kinderen of personen met fysieke, sensorische, geestelijke of motorische handicaps, of met gebrek aan ervaring en kennis kan gevaar veroorzaken. De personen die verantwoordelijk zijn voor hun veiligheid moeten uitdrukkelijke instructies geven of toezicht houden op het gebruik van het toestel.
- Laat uw gezondheid door een arts controleren voordat u met uw training begint.
- Als u misselijkheid, duizeligheid of andere abnormale symptomen ervaart, stop dan onmiddellijk met uw training en raadpleeg een arts.
- Om spierpijn en te zware belasting te voorkomen, moet u elke training beginnen met een warming-up en eindigen met een cooling-down. Vergeet niet om uw spieren te strekken aan het einde van de training.
- Het toestel is uitsluitend geschikt voor gebruik binnenshuis. Het toestel is niet geschikt voor gebruik buitenshuis.
- Gebruik het toestel alleen in een omgeving met voldoende ventilatie. Gebruik het toestel niet in een tochtige omgeving om geen kou te vatten.
- Gebruik het toestel alleen in een omgeving met een omgevingstemperatuur tussen 10 °C en 35 °C. Berg het toestel alleen op bij een omgevingstemperatuur tussen 5 °C en 45 °C.
- Gebruik het toestel niet in een vochtige omgeving. Berg het toestel niet op in een vochtige omgeving. De luchtvochtigheid mag nooit meer zijn dan 80%.
- Gebruik het toestel alleen voor het doel waarvoor het gemaakt is. Gebruik het toestel niet voor andere doelstellingen dan beschreven in de handleiding.
- Gebruik het toestel niet als een onderdeel is beschadigd of niet goed werkt. Raadpleeg uw dealer als een onderdeel is beschadigd of niet goed werkt.
- Houd uw handen, voeten en andere lichaamsdelen uit de buurt van de bewegende delen.
- Houd uw haar uit de buurt van de bewegende delen.
- Draag geschikte kleding en schoenen.
- Houd kleding, sieraden en andere voorwerpen uit de buurt van de bewegende delen.
- Zorg ervoor dat het toestel slechts door één persoon tegelijk wordt gebruikt. Het toestel mag niet worden gebruikt door personen die meer dan 150 kg (330 lbs) wegen.
- Maak het toestel niet open zonder eerst uw dealer te raadplegen.

## Montage instructies

### Beschrijving (fig. A)

Uw roeitrainer is een stationair fitnessstoelstel dat wordt gebruikt voor het nabootsen van roeien zonder dat de gewrichten te veel belast worden.

### Inhoud van de verpakking (fig. B&C)

- De verpakking bevat de onderdelen zoals aangegeven in fig. B.
- De verpakking bevat de bevestigingsmiddelen zoals aangegeven in fig. C. Raadpleeg het gedeelte "Beschrijving".

#### ⚠ LET OP

- Raadpleeg uw dealer als een onderdeel ontbreekt.

### Assemblage (fig. D)

#### ⚠ WAARSCHUWING

- Monteer het apparaat in de aangegeven volgorde.
- Draag en verplaats het toestel met minstens twee personen.

#### ⚠ VOORZICHTIG

- Zet het toestel op een stevige, vlakke ondergrond.
- Zorg voor een beschermende laag onder het toestel om schade aan het vloeroppervlak te voorkomen.
- Houd rondom de apparatuur ten minste een bewegingsruimte van 100 cm.

- Raadpleeg de illustraties voor de juiste assemblage van het toestel.

## Het waterniveau van de tank aanpassen

### De tank vullen met water (Fig. E-3)

- Verwijder de rubberen plug uit de bovenzijde van de tank.
- Plaats een grote emmer water naast de roeitrainer en steek de sifon met de stugge slang in de emmer en de flexibele slang in de tank (zie afbeelding). Controleer of de kleine klep bovenop de sifon gesloten is voordat u gaat vullen.

#### ⚠ LET OP

- De maximale vulhoeveelheid bedraagt 13 liter.
- Gebruik gedestilleerd water als het water in uw regio van slechte kwaliteit is.
- Zet de emmer hoger dan de tank zodat de sifon zelf pompt tijdens het vullen van de tank.
- Voorkom vlekken op de vloer en leg een handdoek onder de emmer en watertank.

#### ⚠ WAARSCHUWING

- De tank vullen boven het maximaal aangegeven waterniveau kan resulteren in lekkage.
- Begin met vullen door in de sifon te knijpen. De volumemeter aan de zijkant van de tank geeft aan hoeveel water er in de tank zit.
- Nadat u de tank hebt gevuld tot het gewenste waterniveau, opent u de klep bovenop de sifon om het overvloedige water weg te laten lopen.
- Vergeet niet de tankplug terug te plaatsen als u klaar bent met het vullen of het zuiveren van het water

### Water uit de tank verwijderen (Fig. E-4)

- Verwijder de tankplug.
- Steek de stugge slang van de sifon in de tank.
- Steek de flexibele slang van de sifon in een grote emmer.
- Laat de tank leeglopen. Er blijft ongeveer 20% water achter in de tank. (Het is niet mogelijk om de tank volledig leeg te laten lopen zonder deze te demonteren.)
- Vul de tank volgens de instructies in de sectie "De tank vullen" in deze handleiding

#### ⚠ LET OP

- Als u zich aan het schema voor het zuiveren van het water houdt, hoeft u het water in de tank niet te verversen. Gebruik alleen een extra waterzuiveringstablet als het water verkleurd is.
- Blootstelling aan zonlicht heeft invloed op het water. Zet de roeitrainer niet in direct zonlicht om te voorkomen dat u het water te vaak moet zuiveren.

### Het water zuiveren

- Voeg een waterzuiveringstablet (20) toe aan het water.
- Doe dit wanneer het water vuil of troebel lijkt.

#### ⚠ WARNING

- Gebruik alleen waterzuiveringstabletten die door Tunturi zijn geleverd.

## Trainingen

De training moet licht genoeg zijn, maar wel langdurig. Aerobische training is gebaseerd op verbetering van de maximale zuurstofopname van het lichaam, die dan het uithoudingsvermogen en de conditie weer verbetert. U moet tijdens de training wel transpireren, maar u mag niet buiten adem raken. Voor het bereiken en in stand houden van een basisconditie moet u minstens drie keer per week steeds 30 minuten trainen. Verhoog het aantal trainingssessies ter verbetering van uw conditie. Het is de moeite waard om regelmatige lichaamsbeweging met gezonde voeding te combineren. Iemand die zich goed aan een dieet houdt, zou elke dag moeten trainen te beginnen met 30 minuten of korter, en de dagelijkse trainingsduur geleidelijk opvoeren tot één uur. Begin uw training bij een lage snelheid en een lage weerstand om te voorkomen dat uw hart en bloedvaten te sterk belast worden. Naarmate uw conditie verbetert, kunnen snelheid en weerstand geleidelijk worden verhoogd. De doelmatigheid van uw training kan worden gemeten door uw hartslag.

### Instructies

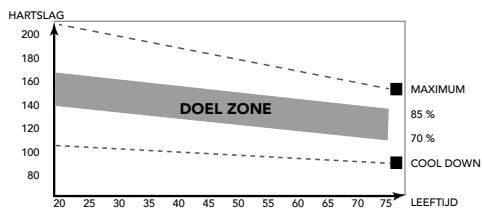
Het gebruik van dit fitness apparaat biedt meerdere voordelen: u verbetert uw fysieke conditie, u versterkt uw spieren en u valt in combinatie met een caloriearm dieet af.

### De warming-up

In deze fase wordt uw bloedsomloop gestimuleerd voor een juiste werking van de spieren. Tevens wordt het risico op kramp en spierletsel verminderd. Wij raden u aan enkele stretch oefeningen te doen, zoals hieronder beschreven. Houd elke stretch oefening ongeveer 30 seconden vol. Forceer uw spieren niet bij het stretchen. STOP als het pijn doet

## De training fase

Dit is de fase waarin u de meeste inspanning levert. Na regelmatig gebruik worden de spieren in uw benen flexibeler. Het is in deze fase zeer belangrijk dat u een gelijkmatig tempo aanhoudt. De snelheid moet voldoende zijn om uw hartslag te laten stijgen naar de doel zone die in de onderstaande grafiek te zien is.



Deze fase moet minimaal 12 minuten duren, maar de meeste mensen beginnen met ongeveer 15-20 minuten.

## De cooling down

In deze fase ontspant u uw cardiovasculaire systeem en spieren. Dit is een herhaling van de warming-uptraining. Verlaag dus uw tempo en ga ongeveer 5 minuten door. Herhaal nu de stretch-oefeningen. Forceer uw spieren niet tijdens het stretchen.

Naarmate u fitter wordt, moet u langer en harder trainen. Het is raadzaam minstens drie keer per week te trainen en zo nodig uw oefeningen gelijkmatig over de week te verspreiden.

## Spierversteviging

Als u uw spieren wilt verstevigen met behulp van dit fitnessapparaat, stelt u de weerstand in op hoog. Zo komt er meer spanning op uw beenspieren. Mogelijk kunt u niet zo lang trainen als u zou willen. Als u ook uw conditie wilt verbeteren, moet u het trainingsprogramma aanpassen. Tijdens de warming-up en cooling-down traint u zoals normaal, maar tegen het eind van de trainingsfase verhoogt u de weerstand zodat uw benen harder moeten werken. Verlaag hierbij de snelheid zodat uw hartslag in de doelzone blijft.

## Gewichtverlies

Hierbij is het van belang hoeveel inspanning u levert. Hoe harder en langer u werkt, hoe meer calorieën u verbrandt. In feite is dit hetzelfde als wanneer u zou trainen om uw conditie te verbeteren. Het doel is alleen anders.

## Hartslag

### Hartslagmeting (hartslagborstband)

#### LET OP

- Een hartslagborstband is niet standaard bij deze trainer mee geleverd. Als u een hartslagborstband wilt gebruiken, zult u deze als accessoire moeten aanschaffen.

De meest nauwkeurige hartslagmeting wordt bereikt met een hartslagborstband. De hartslag wordt gemeten met een hartslagontvanger in combinatie met een band die de hartslag verzendt. Voor een nauwkeurige hartslagmeting moeten de elektroden op de borstband enigszins vochtig zijn en de huid constant aanraken. Bij te droge of te natte elektroden kan de hartslagmeting minder nauwkeurig worden.

#### WAARSCHUWING

- Als u een pacemaker hebt, moet u het eerst met uw dokter bespreken voordat u een hartslagborstband gebruikt.

#### VOORZICHTIG

- Als er verscheidene hartslagmeetapparaten naast elkaar staan, zorg er dan voor dat de tussenafstand minstens 2 meter is.
- Als er slechts één hartslagontvanger en verscheidene hartslagzenders zijn, zorg dan dat er slechts één persoon met een zender in het zendbereik is.

#### LET OP

- Draag de hartslagborstband altijd onder uw kleding, direct op uw huid. Draag de hartslagborstband niet boven uw kleding. Als u de hartslagborstband boven uw kleding draagt, zal er geen signaal komen.
- Als u een hartslaglimiet hebt ingesteld voor uw training, klinkt er een alarm wanneer deze wordt overschreden.
- De zender verzendt de hartslag naar de console tot over een afstand van 1,5 meter. Als de elektroden niet vochtig zijn, verschijnt de hartslag niet op de display.
- Sommige vezels in kleding (bijv. polyester, polyamide) produceren statische elektriciteit die een nauwkeurige hartslagmeting kan hinderen.
- Mobiele telefoons, televisies en andere elektrische apparaten creëren een elektromagnetisch veld dat een nauwkeurige hartslagmeting kan hinderen.

### Maximale hartslag (tijdens de training)

De maximale hartslag is de hoogste hartslag die iemand veilig kan bereiken door de belasting van de training. De volgende formule wordt gebruikt voor het berekenen van de gemiddelde maximale hartslag:  $220 - \text{LEEFTIJD}$ . De maximale hartslag varieert van persoon tot persoon.

#### WAARSCHUWING

- Zorg ervoor dat u tijdens uw training niet boven uw maximale hartslag komt. Als u bij een risicogroep hoort, moet u een arts raadplegen.

### Beginner

#### 50-60% van de maximale hartslag

Geschikt voor beginners, mensen die willen afvallen, herstellende patiënten en personen die lange tijd niet getraind hebben. Train minstens drie keer per week, 30 minuten per keer.

### Gevorderd

#### 60-70% van de maximale hartslag

Geschikt voor personen die hun conditie willen verbeteren en in stand houden. Train minstens drie keer per week, 30 minuten per keer.

### Expert

#### 70-80% van de maximale hartslag

Geschikt voor de fitteste personen die gewend zijn aan langdurige duurtraining.

## Gebruik

### Afstellen van de steunvoeten (fig. E-1)

Het toestel is voorzien van 2 steunvoeten. Als het toestel niet stabiel is, kunnen de steunvoeten worden versteld.

- Draai de steunvoeten zo ver in of uit als nodig is om het toestel in een stabiele positie te krijgen.
- Draai de borgmoeren vast om de steunvoeten te vergrendelen.

**LET OP**

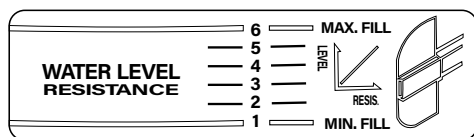
- Het toestel is het meest stabiel wanneer alle steunvoeten volledig zijn ingedraaid. Nivelleer het toestel eerst door alle steunvoeten volledig in te draaien alvorens de nodige steunvoeten uit te draaien om het toestel te stabiliseren.

**Weerstand aanpassen**

Om de weerstand te vergroten of te verkleinen, past u het waterniveau aan.

- Meer water is meer weerstand.
- Minder water is minder weerstand.

Met de schaal op de watertank kunt u een geschikte weerstand instellen.



Max. fill	6	± 12.8 ltr
	5	± 11.9 ltr
	4	± 11.1 ltr
	3	± 10.5 ltr
	2	± 9.5 ltr
Min. fill	1	± 8.5 ltr

**Spanning van trekkabel aanpassen (fig. E-2)**

Wanneer u tijdens de workout het gevoel hebt dat de kabel van de handgreep niet soepel of snel genoeg opwindt, kunt u de kabel als volgt aanpassen.

- Zet de roeitrainer rechtop.
- De kabel bevindt zich onder het frame van de watertank.
- Verplaats de kabel van A naar B (als de kabel al in B staat, verplaats dan naar C)
- Zet de roeitrainer weer in de workoutpositie en controleer of de verbetering voldoende is.

**Hoe te roeien**

	<p><b>Aanvangen</b></p> <p>Schuif de zitting naar voren en houd hierbij uw armen gestrekt en uw rug recht.</p>
	<p><b>Doorhalen</b></p> <p>Duw uw benen van u af en houd hierbij uw armen gestrekt.</p>
	<p><b>Afmaken.</b></p> <p>Trek uw armen over uw knieën naar u toe. Kantel uw bekken hierbij licht..</p>
	<p><b>herstel</b></p> <p>Kantel uw bekken terug en schuif de zitting naar voren</p>

**Aanvangen**

Ga terug naar de begin positie en herhaal deze beweging.

**Aanvangen - Doorhalen**

Schuif de zitting naar voren en duw uw benen van u af, waardoor u zichzelf afzet. Houd uw armen gestrekt en uw rug recht.

**Afmaken**

Trek uw armen over uw knieën naar u toe. Kantel uw bekken hierbij licht.

**Herstel - Aanvangen**

Ga terug naar de begin positie en herhaal deze beweging.

**WAARSCHUWING**

- Raadpleeg altijd uw arts voordat u aan een trainingsprogramma begint.
- Stop direct als u zich duizelig of slap voelt.

**Console (fig. F-1)**

**VOORZICHTIG**

- Houd de console uit de buurt van direct zonlicht.
- Droog het oppervlak van de console wanneer het met zweetdruppels is bedekt.
- Leun niet op de console.
- Raak de display alleen met uw vingertop aan. Raak de display niet aan met uw nagels of een scherp voorwerp.

**LET OP**

- De console gaat naar standby wanneer het toestel gedurende 4 minuten niet wordt gebruikt.

**Uitleg van de displayfuncties**

**Tijd (Time)**

- Wanneer u geen doelwaarde instelt, telt de tijd op.
- Wanneer u een doelwaarde instelt, telt de tijd terug van de doelwaarde naar 0, waarna een alarm klinkt of knippert. (Tijdens het aftellen ziet u de resterende tijd)
- Wanneer tijdens de training gedurende 4 seconden geen signaal naar de monitor wordt verzonden, STOPT het tellen van de tijd
- Bereik 0:00~99:59 /± 1:00

**Tijd/ 500m**

Hier ziet u de tijd die nodig is voor een training met een afstand van 500 meter, gebaseerd op de huidige roei-intensiteit.

**Afstand**

- Wanneer u geen doelwaarde instelt, telt de afstand op.
- Wanneer u een doelwaarde instelt, telt de afstand terug van de doelwaarde naar 0, waarna een alarm klinkt of knippert. (Tijdens het aftellen ziet u de resterende afstand)
- Bereik: 0~99900 /± 100 (mtr.)

**Calorieën**

- Wanneer u geen doelwaarde instelt, wordt het aantal calorieën opgeteld.
- Bereik: 0~9990



## ⚠ OPMERKING

- Deze gegevens zijn een richtlijn voor de vergelijking van verschillende trainingssessies en kunnen niet voor medische behandelingen worden gebruikt

### Hartslag

- U ziet uw huidige hartslag na 6 seconden, zodra de console uw hartslag heeft gedetecteerd.
- A+Pulse: Wanneer de workout wordt gestopt, wordt de gemiddelde hartslagwaarde van de laatste workout weergegeven.

### Strokes (slagen)

- Wanneer u geen doelwaarde instelt, telt het aantal slagen op.
- Wanneer u een doelwaarde instelt, telt het aantal slagen terug van de doelwaarde naar 0, waarna een alarm klinkt of knippert. (Tijdens het aftellen ziet u het resterende aantal slagen)
- Bereik: 0 ~ 99999 /± 10 strokes.

### Total Strokes

geeft het totaal aantal slagen van alle workouts weer. Deze waarde kan niet worden gereset, behalve bij het wisselen van de batterijen.

### SPM

- SPM is het aantal slagen per minuut en geeft het gemiddelde aantal slagen per minuut tijdens de training weer.
- In de training modus kan dit worden ingesteld als doel, met een bereik van 20~80.
- A+SPM: Wanneer de workout wordt gestopt, wordt de gemiddelde SPM-waarde (slagen per minuut) van de laatste workout weergegeven.

### Stand-bymodus

In de stand-bymodus wordt het volgende op de console weergegeven:

- Tijdstip (UU:MM)
- Datum: (JJJJ/ MM/ DD)
- Omgevingstemperatuur (°Celsius)

De juiste tijd/datum instellen:

- Houd de Reset-knop 3 seconden ingedrukt om de programmeringsmodus voor tijd/datum te activeren.
- Stel met de pijltjes omhoog/omlaag de juiste tijd/datum in en druk op Enter om de instellingen te bevestigen.

### Alarmpuntie

Na het instellen van de tijd/datum, kunt u ook een alarm instellen. (Het alarm geeft alleen geluid in de stand-bymodus.)

- Schakel het alarm in of uit met de pijltjes omhoog/omlaag en bevestig de instelling met Enter.
- Als het alarm wordt ingeschakeld (bel is zichtbaar), knipperen de cijfers van het uur; stel de alarmtijd in met de pijltjes omhoog/omlaag en bevestig de instelling met Enter.
- Doe hetzelfde voor de minuten, en bevestig de instelling met Enter.
- Het alarm is nu ingesteld en wordt geactiveerd (alleen als de console in de stand-bymodus staat)

## Uitleg van de knoppen

### Omhoog (up)

- Hiermee selecteert u de instellingen.
- Instelwaarde verhogen.

### Omlaag

- Hiermee selecteert u de instellingen.
- Instelwaarde verlagen.

### Enter

- Hiermee bevestigt u de instelling (in de programmeringsmodus)
- Hiermee kunt u ook parameters scannen (in de workoutmodus)

### Start / Stop

- Hiermee start u de workout (in de programmeringsmodus)
- Hiermee stopt (pauzeert) u de workout (in de workoutmodus)
- Hiermee hervat u de training (in de stopmodus)

### Reset

- Druk in de instellingenmodus eenmaal op Reset om de huidige functiegetallen te resetten.
- Houd Reset 2 seconden ingedrukt als u alle functiegetallen wilt resetten en de console opnieuw wilt starten.

### Recovery

- De toets RECOVERY werkt alleen als een hartslag wordt geregistreerd.
- Bij TIME wordt '0:60' (seconden) weergegeven; er wordt terug geteld naar 0. (fig. F-19)
- Na het aftellen om de status van het hartslagherstel te testen, wordt op de computer F1 tot en met F6 weergegeven (fig. F20). De gebruiker kan het hartslagherstelniveau vinden in de onderstaande tabel.
- Druk opnieuw op de toets RECOVERY om terug te keren naar het begin.

F1	Voortreffelijk
F2	Uitstekend
F3	Goed
F4	Normaal
F5	Onder het gemiddelde
F6	Slecht

## Bediening

### Inschakelen

- Druk op een willekeurige toets om de console te activeren wanneer deze in de slaap-modus staat.
- Begin met roeien om de console te activeren wanneer deze in de slaap-modus staat.

### Uitschakelen

Wanneer er gedurende 4 minuten geen signaal naar de monitor wordt verzonden, gaat de console automatisch in de slaap-modus. (Gegevens van de actieve training gaan dan verloren)

### ⚠ WAARSCHUWING

- Het verdient aanbeveling om de accu's te verwijderen als het apparaat gedurende langere tijd niet wordt gebruikt.



## Programma's

### Handmatige modus

- Selecteer Manual en bevestig uw keuze met Enter
- Stel uw trainingsdoel in voor Time, Distance, Strokes Calories en H.R.C.(tijd, afstand, slagen, calorieën en hartslagcontrole) met behulp van de pijltjes omhoog/omlaag en bevestig uw keuze met Enter.
- Druk op Start / Stop om de ingestelde training te starten.

### ⚠ OPMERKING

- U kunt ook één doel instellen, de andere doelen stelt u dan in op '0', waarna u die keuze bevestigt.
- H.R.C. is geen trainingsdoel waarna de workout wordt beëindigd, maar dient uitsluitend als waarschuwing.
- Wanneer u een doel hebt ingesteld, eindigt de training wanneer het doel wordt bereikt.
- Als er geen doel is ingesteld, gaat de training door totdat de gebruiker deze beëindigt.

### Racemodus

- Druk op de modusknop om de racemodus te selecteren en bevestig uw keuze door op Enter te drukken.
- Op het scherm ziet u L9 - met de pijltjes omhoog/omlaag stelt u het gewenste niveau voor de racemodus in. Bevestig uw keuze met Enter.

De weergegeven "Time/ 500 is de computertijd die u moet verslaan.

Modus	Time/ 500
L1	8:00 min
L2	7:30 min
L3	7:00 min
L4	6:30 min
L5	6:00 min
L6	5:30 min
L7	5:00 min
L8	4:30 min
L9	4:00 min
L10	3:30 min
L11	3:00 min
L12	2:30 min
L13	2:00 min
L14	1:30 min
L15	1:00 min

- Stel de gewenste trainingsafstand in ( $\pm$  500 mtr) en bevestig uw keuze met Enter
- Druk op Start/Stop om 3 seconden af te tellen naar het begin van de training.

### ⚠ OPMERKING

- De training eindigt wanneer de computer (pc) of u als eerste de finish heeft gehaald.
- Op de console ziet u User win (u hebt gewonnen) of PC Win (u hebt verloren) wanneer u of de computer de finish het eerst bereikt, waarna de training wordt beëindigd.

## Reiniging en onderhoud

Het toestel vereist geen speciaal onderhoud. Het toestel heeft geen kalibratie wanneer het wordt geassembleerd, gebruikt en onderhouden overeenkomstig de instructies.

### ⚠ WAARSCHUWING

- Gebruik geen oplosmiddelen om het toestel te reinigen.
- Reinig het toestel na elk gebruik met een zachte absorberende doek.
- Controleer regelmatig of alle schroeven en moeren goed vast zitten.
- Smeer indien nodig de draaipunten.

### Het water is verkleurd of is troebel.

#### Mogelijke oorzaak:

De roeitrainer staat in direct zonlicht of het water is niet gezuiverd.

#### Oplossing:

- Voorkom dat de roeitrainer wordt blootgesteld aan direct zonlicht.
- Voeg een waterzuiveringstablet toe of ververs het water in de tank (raadpleeg de desbetreffende sectie in deze handleiding).

### Vervangen van de batterijen (fig. F-2)

De console is uitgerust met 2 AA-batterijen aan de achterkant van de console..

- Verwijder het deksel.
- Verwijder de oude batterijen.
- Plaats de nieuwe batterijen. Zorg ervoor dat de (+) en (-) polariteit-markeringen van de batterijen op de goede plaats zitten.
- Monteer het deksel.

## Defecten en storingen

Ondanks voortdurende kwaliteitscontrole kan het gebeuren dat het toestel door individuele onderdelen defect is of niet goed werkt. In de meeste gevallen zal het voldoende zijn om het defecte onderdeel te vervangen.

- Als het toestel niet goed werkt, neem dan onmiddellijk contact op met de dealer.
- Geef het modelnummer en serienummer van het toestel op aan de dealer. Vertel wat de aard van het probleem is, hoe het toestel wordt gebruikt en wanneer u het toestel heeft gekocht.

#### Problemen oplossen

- Wanneer het LCD-display wordt gedimd, moeten de batterijen worden vervangen.
- Als er geen signaal is wanneer u traint, controleer dan of de kabel goed is aangesloten.

### ⚠ LET OP

- Wanneer u gedurende 4 minuten stopt met de training, wordt het hoofdscherm uitgeschakeld.
- Wanneer de computer weergave niet normaal is, installeert u de batterijen opnieuw en probeert u het nogmaals.

## Transport en opslag

### ⚠ WAARSCHUWING

- Draag en verplaats het toestel met minstens twee personen.
- Blijf aan weerskanten aan de voorkant van het toestel staan en pak de handgrepen stevig vast. Til de voorkant van het toestel op zodat de achterkant van het toestel op de wielen komt te rusten. Verplaats het toestel en zet het voorzichtig neer. Zorg voor een beschermende laag onder het toestel om schade aan het vloeroppervlak te voorkomen.
- Verplaats het toestel voorzichtig over een ongelijke ondergrond. Breng het toestel niet met behulp van de wielen naar boven, maar draag het toestel bij de handgrepen.
- Berg het toestel op een droge plaats op met zo weinig mogelijk temperatuurwisselingen.

## Aanvullende informatie

### Afvoeren van verpakkingsmateriaal

Overheids-richtlijnen geven aan dat we de hoeveelheid afvalmateriaal afgevoerd naar stortplaatsen moeten verminderen. Daarom vragen we u al het afvalmateriaal op verantwoordelijke wijze af te voeren naar openbare recycling-centra.

### Verwijdering aan het eind van de levensduur.

We hopen dat u jarenlang plezier hebt van uw fitnessapparaat. Er komt echter een moment waarop het fitnessapparaat het eind van de bruikbare levensduur heeft bereikt. Onder de Europese AEEA-wetgeving bent u verantwoordelijk voor het op de juiste wijze afvoeren van uw fitnessapparaat naar een erkend openbaar inzamelpunt.

## Technische gegevens

Parameter	Meet-eenheid	Waarde
Telemetrische hartslag-ontvanger	handgreep contact 5.3~ 5.4 Khz. Bluetooth (BLE) ANT+	<input checked="" type="checkbox"/> <input checked="" type="checkbox"/> <input checked="" type="checkbox"/> <input checked="" type="checkbox"/>
Lengte	cm inch	211,0 83,1
Breedte	cm inch	56,0 22,0
Hoogte	cm inch	107,0 42,1
Gewicht	kg lbs	39,5 87,1
Max. gewicht gebruiker	kg lbs	150 330
Batterijen maat	2x	AA

## Garantie

### Garantie voor eigenaars van Tunturi trainingsapparatuur

#### Garantievoorwaarden

De consument ontleent wettelijke rechten aan de van toepassing zijnde nationale wetgeving aangaande de handel in consumentengoederen en de garantie zal deze rechten niet beperken.

De "Garantie voor de Eigenaar" geldt alleen dan wanneer het toestel wordt gebruikt in de door Tunturi New Fitness BV voor dat toestel toegestane gebruiksomgeving. Voor elk toestel wordt de toegestane gebruiksomgeving beschreven in de gebruiksaanwijzing van het toestel.

#### Garantievoorwaarden

De garantievoorwaarden gaan in vanaf de datum van aankoop. Deze kunnen per land verschillen. Vraag in de winkel bij u in de buurt naar de garantievoorwaarden.

#### Garantiedekking

In geen enkele omstandigheid zal Tunturi New Fitness BV of een wederverkoper van Tunturi aansprakelijk zijn voor eventuele indirecte schade geleden door de koper, zoals verlies van gebruiksnut of inkomstenderving of andere indirecte economische gevolgen.

#### Garantiebeperkingen

De garantie dekt defecten van het toestel die het gevolg zijn van materiaalfouten of onjuist uitgevoerd werk, mits het toestel zijn originele samenstelling heeft. De garantie betreft alleen defecten die blijken tijdens normaal gebruik overeenkomstig de meegeleverde gebruiksaanwijzing, mits de montage-, onderhouds- en gebruiksaanwijzingen van Tunturi zijn opgevolgd. Tunturi New Fitness BV en zijn wederverkopers zijn niet aansprakelijk voor defecten tengevolge van factoren waarop zij geen invloed kunnen uitoefenen. De garantie betreft alleen de eerste eigenaar van het toestel en is alleen geldig in landen waar een geautoriseerde importeur van Tunturi New Fitness BV is gevestigd. De garantie betreft geen trainingstoestellen of onderdelen die zijn gewijzigd zonder toestemming van Tunturi New Fitness BV. De garantie dekt geen defecten tengevolge van normale slijtage, onjuist gebruik, gebruik in omstandigheden waarvoor het toestel niet is bedoeld, corrosie of schade ontstaan tijdens laden of transport. De garantie geldt niet voor geluiden die ontstaan door het gebruik, als ze het gebruik van het apparaat niet wezenlijk belemmeren en niet veroorzaakt zijn door een defect aan het apparaat. De garantie omvat ook geen onderhoudsmaatregelen, zoals reiniging, smering of normale inspectie van onderdelen, noch dergelijke montagewerkzaamheden die de klant zelf kan uitvoeren en die geen speciale demontage en montage van het toestel vereisen. Dit soort maatregelen zijn bijv. vervanging van monitoren, pedalen of andere vergelijkbare eenvoudige onderdelen. Garantieherstel dat is uitgevoerd door een ander dan de geautoriseerde Tunturi-vertegenwoordiger wordt niet vergoed. De garantie geldt alleen voor normaal, voorgeschreven gebruik van het product zoals beschreven in de handleiding.

## Verklaring van de fabrikant

---

Tunturi New Fitness BV verklaart dat het product voldoet aan de volgende normen en richtlijnen: EN 957 (HC), 2014/30/EU. Het product is derhalve voorzien van het CE-label.

07-2020

Tunturi New Fitness BV  
Purmerweg 1  
1311 XE Almere  
The Netherlands

## Disclaimer

---

© 2020 Tunturi New Fitness BV  
Alle rechten voorbehouden.

- Het product en de handleiding zijn aan veranderingen onderhevig.
- Specificaties kunnen zonder verdere kennisgeving worden veranderd.
- Raadpleeg onze website voor de meest recente versie van de gebruikershandleiding.

**Italiano**

Questo manuale in lingua italiana è una traduzione dalla versione originale del manuale in lingua inglese.  
Non si possono trarre diritti di traduzione dalla presente traduzione.

**Indice**

**Vogatore..... 44**  
**Precauzioni di sicurezza..... 44**  
**Istruzioni di montaggio..... 45**  
 Descrizione (fig. A).....45  
 Contenuto dell'imballaggio (fig. B & C) .....45  
 Assemblaggio (fig. D) .....45  
**Regolare il livello dell'acqua nel serbatoio ..... 45**  
 Riempimento del serbatoio con acqua (Fig. E-3) .....45  
 Rimozione dell'acqua dal serbatoio (Fig. E-4) .....45  
 Trattamento dell'acqua.....45  
**Allenamenti..... 45**  
 Istruzioni per l'esercizio .....45  
 Frequenza cardiaca.....46  
**Utilizzo..... 47**  
 Regolazione dei piedi di supporto (fig. E-1).....47  
 Regolazione della resistenza.....47  
 Regolare la tensione della corda elastica (fig. E-2).....47  
 Come si effettua la vogata.....47  
**Console (fig. F-1) ..... 47**  
 Spiegazione delle funzioni visualizzate .....47  
 Spiegazione dei tasti .....48  
 Funzionamento .....49  
 Programmi .....49  
**Pulizia e manutenzione ..... 49**  
 L'acqua cambia colore o diventa torbida .....49  
 Sostituzione delle batterie (Fig F-2).....49  
**Disturbi durante l'uso ..... 50**  
**Trasporto e stoccaggio ..... 50**  
 Informazioni aggiuntive .....50  
**Dati tecnici..... 50**  
**Garanzia..... 50**  
**Dichiarazione del fabbricante..... 51**  
**Clausola di esonero della responsabilità..... 51**  
**Remo ..... 52**

**Vogatore**

Benvenuti nel mondo di Tunturi Fitness!  
Grazie per aver acquistato questo apparecchio Tunturi. Tunturi offre un'ampia gamma di apparecchi per fitness professionale, fra cui crosstrainer, tapis roulant, cyclette, e vogatori e. Questo apparecchio Tunturi è adatto per tutta la famiglia, a prescindere dal livello di forma fisica. Per ulteriori informazioni, visitare il sito Web [www.tunturi.com](http://www.tunturi.com)

**Importanti istruzioni di sicurezza**

Questo libretto di istruzioni è una parte essenziale della tua attrezzatura da ginnastica. Leggi con attenzione quanto scritto in questa guida, prima del montaggio dei pezzi e prima di fare uso dell'attrezzo o di effettuarne qualunque manutenzione. Ti raccomandiamo pure di osservare la presente guida in un luogo sicuro e a portata di mano; essa ti fornirà, adesso e nel futuro, tutte le istruzioni necessarie all'uso e alla manutenzione della tua attrezzatura da ginnastica. Tali istruzioni devi seguirle sempre con molta attenzione!

**Precauzioni di sicurezza**

**⚠ ATTENZIONE**

- Leggere le precauzioni di sicurezza e le istruzioni. La mancata osservanza delle precauzioni di sicurezza e delle istruzioni può causare lesioni personali o danni all'apparecchio. Conservare gli avvisi di sicurezza e le istruzioni per future consultazioni.

**⚠ ATTENZIONE**

- Il sistema di monitoraggio della frequenza cardiaca può essere impreciso.
- L'eccessivo esercizio può causare serie lesioni o perfino il decesso. Se si avverte spossatezza, interrompere immediatamente l'allenamento.

- L'apparecchio è adatto esclusivamente per un uso domestico, non professionale. L'apparecchio non è idoneo per scopi commerciali.
- L'utilizzo massimo è limitato fino a 2 ore al giorno
- L'uso di questo apparecchio da parte di bambini o persone con handicap fisici, sensoriali, mentali o motori o privi di esperienza e di competenze può causare pericoli. Le persone responsabili per la loro sicurezza devono fornire esplicite istruzioni o supervisionare l'uso dell'apparecchio.
- Prima di iniziare l'allenamento, consultare un medico per verificare il proprio stato di salute.
- Se si avvertono nausea, vertigini o altri sintomi anomali, interrompere immediatamente l'allenamento e consultare un medico.
- Per evitare dolori muscolari e sforzi, iniziare ogni allenamento con una fase di riscaldamento e terminare ogni allenamento con una fase di defaticamento. Ricordarsi di eseguire lo stretching al termine dell'allenamento.
- L'apparecchio è adatto esclusivamente per un uso in interni. L'apparecchio non è idoneo per un uso all'aperto.
- Utilizzare l'apparecchio in un ambiente con ventilazione adeguata. Non utilizzare in ambienti esposti alle correnti d'aria per non prendere un raffreddore.
- Utilizzare l'apparecchio esclusivamente in ambienti con temperature comprese fra 10 °C e 35 °C. Conservare l'apparecchio esclusivamente in ambienti con temperature comprese fra 5°C~45°C/ 41°F~113°F.
- Non utilizzare o riporre l'apparecchio in ambienti umidi. L'umidità dell'aria non deve mai superare l'80%.
- Utilizzare l'apparecchio solo per lo scopo previsto. Non utilizzare l'apparecchio per scopi diversi da quelli descritti nel manuale.
- Non usare l'apparecchio se presenta parti danneggiate o difettose. In caso di parti danneggiate o difettose contattare il rivenditore.
- Mantenere mani, piedi e le altre parti del corpo lontani dalle parti in movimento.
- Tenere i capelli lontani dalle parti in movimento.
- Indossare indumenti e scarpe adatti.
- Mantenere abiti, gioielli e altri oggetti lontani dalle parti in movimento.
- Controllare che l'apparecchio venga utilizzato da una sola persona alla volta. L'apparecchio non deve essere utilizzato da persone di peso superiore a 150 kg (330 lbs).
- Non smontare l'apparecchio senza aver consultato il rivenditore..

## Istruzioni di montaggio

### Descrizione (fig. A)

Il vogatore è un apparecchio fisso per il fitness utilizzato per simulare la voga senza causare eccessiva pressione sulle giunture.

### Contenuto dell'imballaggio (fig. B & C)

- L'imballaggio contiene i componenti illustrati nella fig. B.
- L'imballaggio contiene gli elementi di fissaggio illustrati nella fig. C. Consultare la sezione "Descrizione".

#### ⚠️ NOTA

- Se una parte manca, contattare il rivenditore.

### Assemblaggio (fig. D)

#### ⚠️ ATTENZIONE

- Assemblare l'apparecchio nell'ordine indicato.
- Per trasportare e spostare l'apparecchio sono necessarie almeno due persone.

#### ⚠️ AVVISO

- Collocare l'apparecchio su una superficie stabile e in piano.
  - Collocare l'apparecchio su una base protettiva per evitare danni alla superficie del pavimento.
  - Mantenere uno spazio libero di almeno 1 m intorno all'apparecchio.
- Consultare le illustrazioni per il corretto assemblaggio dell'apparecchio.

## Regolare il livello dell'acqua nel serbatoio

### Riempimento del serbatoio con acqua (Fig. E-3)

- Togliere il tappo in gomma del serbatoio dalla parte superiore di quest'ultimo.
- Collocare un grande secchio per l'acqua accanto al vogatore e posizionare il sifone con il tubo rigido nel secchio e il tubo flessibile nel serbatoio come mostrato in figura. Prima del riempimento, assicurarsi che la valvolina di sfiato sulla parte superiore del sifone sia chiusa.

#### ⚠️ NOTA

- Per il massimo riempimento sono necessari 13 litri d'acqua.
- In caso di scarsa qualità dell'acqua, si consiglia di utilizzare acqua distillata.
- Collocando il secchio più in alto rispetto al serbatoio, il sifone potrà beneficiare di un effetto di "auto-pompaggio" quando si aggiunge acqua al serbatoio.
- Valutare l'uso di un asciugamano sotto il secchio e il serbatoio dell'acqua per evitare la formazione di macchie sul pavimento.

#### ⚠️ AVVISO

- Un eccessivo riempimento oltre il livello massimo potrebbe causare perdite d'acqua durante l'allenamento.

- Iniziare a riempire il serbatoio stringendo il sifone. Utilizzare la decalcomania dell'indicatore di livello sul lato del serbatoio per misurare il volume d'acqua nel serbatoio.
- Dopo aver riempito il serbatoio fino al livello d'acqua desiderato, aprire la valvola in cima al sifone per consentire la fuoriuscita dell'acqua in eccesso.
- Assicurarsi che il tappo del serbatoio venga rimesso al suo posto una volta completate le procedure di riempimento e trattamento dell'acqua.

### Rimozione dell'acqua dal serbatoio (Fig. E-4)

- Togliere il tappo del serbatoio.
- Inserire l'estremità del tubo rigido del sifone nel serbatoio
- Inserire l'estremità del tubo flessibile del sifone in un secchio grande.
- Scaricare il serbatoio (circa il 20% dell'acqua rimarrà al suo interno. Non è possibile svuotare completamente il serbatoio senza smontarlo)
- Riempire il serbatoio seguendo le indicazioni riportate nel capitolo "Riempimento del serbatoio" del presente manuale.

#### ⚠️ NOTA

- Se il programma di trattamento dell'acqua viene rispettato, non sarà necessario cambiare l'acqua all'interno del serbatoio. È necessaria una pastiglia per il trattamento dell'acqua in più solo in caso di decolorazione dell'acqua.
- L'esposizione alla luce solare influisce sull'acqua. Spostando il vogatore lontano dalla luce diretta del sole si prolunga il tempo tra un trattamento dell'acqua e l'altro

### Trattamento dell'acqua

Aggiungere una pastiglia per il trattamento dell'acqua. Aggiungere una pastiglia ogni volta che l'acqua appare sporca o torbida con il passare del tempo.

#### ⚠️ AVVISO

- Utilizzare esclusivamente le pastiglie per il trattamento dell'acqua fornite da Tunturi.

## Allenamenti

L'allenamento deve essere adeguatamente leggero ma di lunga durata. L'esercizio aerobico si basa sul miglioramento del consumo massimo di ossigeno del corpo che a sua volta migliora resistenza e forma fisica. Durante l'allenamento è necessario sudare ma non arrivare all'affanno. Per raggiungere e mantenere una forma fisica di base, allenarsi almeno tre volte alla settimana, per 30 minuti alla volta. Aumentare il numero di sessioni di esercizio per migliorare il livello di forma fisica. È importante combinare l'esercizio regolare con una dieta salutare. Una persona impegnata a seguire una dieta dovrà allenarsi quotidianamente, iniziando con 30 minuti o meno e aumentando gradualmente l'allenamento giornaliero fino ad un'ora. Iniziare l'allenamento a bassa velocità e con scarsa resistenza per evitare di sottoporre a uno stress eccessivo il sistema cardiovascolare. Man mano che il livello di forma fisica aumenta, è possibile aumentare gradualmente anche velocità e resistenza. L'efficienza dell'allenamento può essere misurata monitorando la frequenza cardiaca e le pulsazioni.

### Istruzioni per l'esercizio

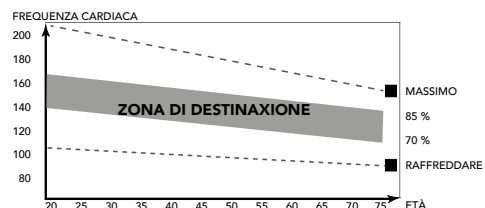
L'utilizzo del vostro fitness trainer vi darà diversi benefici, migliorerà la vostra forma fisica, tono muscolare e, insieme a una dieta con le calorie sotto controllo, vi aiuterà a perdere peso.

### La fase di riscaldamento

Questa fase aiuta a far scorrere il sangue nel corpo e a far funzionare correttamente i muscoli. Ridurrà anche il rischio di crampi e di lesioni muscolari. Si consiglia di fare qualche esercizio di stretching come mostrato qui di seguito. Ogni esercizio di stretching andrebbe mantenuto per circa 30 secondi, non forzare o strappare i muscoli durante l'esercizio, se si sente un dolore FERMARSI SUBITO

### La fase dell'esercizio

Questa è la fase dove fate il vostro sforzo. Dopo un uso regolare, i muscoli delle vostre gambe diventeranno più flessibili. Lavorare nell'ottica del vostro obiettivo è molto importante per mantenere un ritmo costante durante l'esercizio. La velocità del vostro lavoro dovrebbe essere sufficiente per aumentare il vostro battito cardiaco nella zona target mostrata sul grafico qui sotto.



Questa fase dovrebbe durare almeno 12 minuti anche se la maggior parte delle persone inizia a circa 15-20 minuti

### La fase di defaticamento

Questa fase consente al vostro sistema cardiovascolare e ai vostri muscoli di rilassarsi. Questa è una ripetizione dell'esercizio di riscaldamento, cioè riduce il vostro ritmo, e continua per circa 5 minuti. Gli esercizi di stretching adesso andrebbero ripetuti, ricordandosi sempre di non forzare o strappare i vostri muscoli nello stretching.

A mano a mano che sarete più in forma, potreste aver bisogno di allenarvi di più e più a lungo. Si consiglia di allenarsi almeno tre volte alla settimana, e se possibile, spalmare gli esercizi in

### Tono muscolare

Per tonificare i muscoli mentre siete sul vostro fitness trainer dovrete impostare la resistenza abbastanza alta. Questo sforzerà di più i muscoli delle vostre gambe e potrebbe voler dire che non potrete allenarvi per il tempo che avreste desiderato. Se anche voi state cercando di migliorare la vostra forma dovrete modificare il vostro programma di allenamento. Dovreste allenarvi normalmente durante le fasi di riscaldamento e di defaticamento, ma verso la fine della fase dell'esercizio dovrete aumentare la resistenza, per fare lavorare di più le vostre gambe. Dovrete ridurre la vostra velocità per mantenere la vostra frequenza cardiaca nella zona target.

### Perdere peso

Qui il fattore importante è la quantità di sforzo che mettete. Più forte e a lungo lavorate e più calorie brucerete. In effetti è uguale a come se stesse allenandovi per migliorare la vostra forma, la differenza è l'obiettivo.

## Frequenza cardiaca

### Misurazione della frequenza cardiaca (fascia toracica)

#### ⚠️ NOTA

- La fascia toracica non è di serie con questa macchina. Se si desidera utilizzare una fascia toracica wireless, è necessario acquistarla come accessorio.

La misurazione della frequenza cardiaca più accurata si ottiene tramite una fascia cardiaca. La misurazione viene effettuata da un ricevitore della frequenza cardiaca combinato con una fascia toracica trasmittente. Per un'accurata misurazione della frequenza cardiaca, gli elettrodi sulla fascia del trasmettitore devono essere leggermente umidi e costantemente a contatto con la pelle. Se gli elettrodi sono troppo asciutti o troppo bagnati, la misurazione della frequenza cardiaca diventa meno accurata.

#### ⚠️ ATTENZIONE

- Se l'utente è portatore di pacemaker, consultare un medico prima di utilizzare una fascia toracica per la misurazione della frequenza cardiaca.

#### ⚠️ AVVISO

- In presenza di numerosi dispositivi per la misurazione della frequenza cardiaca vicini, verificare che siano almeno ad una distanza di 1,5 metri uno dall'altro.
- In presenza di un solo ricevitore e numerosi trasmettitori di frequenza cardiaca, verificare che solo una persona con un trasmettitore sia all'interno del campo di trasmissione.

#### ⚠️ NOTA

- Non utilizzare i sensori del cardiofrequenzimetro in combinazione con una fascia toracica per la misurazione della frequenza cardiaca.
- Indossare sempre la fascia toracica sotto gli abiti a diretto contatto con la pelle. Non indossare la fascia toracica sopra gli abiti. Indossando la fascia toracica sopra gli abiti, non sarà trasmesso alcun segnale.
- Impostando un limite per la frequenza cardiaca, viene generato un allarme acustico al superamento di tale limite.
- Il trasmettitore trasmette la frequenza cardiaca alla console fino ad una distanza di 1 metro. Se gli elettrodi non sono umidi, la frequenza cardiaca non viene visualizzata sul display.
- Alcune fibre negli abiti (ad es. poliestere, poliammide) creano elettricità statica che può impedire un'accurata misurazione della frequenza cardiaca.
- Cellulari, TV e altri apparecchi elettrici creano un campo magnetico che può impedire un'accurata misurazione della frequenza cardiaca.

### Massima frequenza cardiaca (durante l'allenamento)

La massima frequenza cardiaca è la frequenza cardiaca più elevata che una persona può raggiungere in sicurezza durante lo stress dell'allenamento. Per calcolare la massima frequenza cardiaca media, viene utilizzata la seguente formula:  $220 - \text{ETÀ}$ . La massima frequenza cardiaca varia da persona a persona.

#### ⚠️ ATTENZIONE

- Porre attenzione a non superare la massima frequenza cardiaca durante l'allenamento. In caso di appartenenza ad un gruppo a rischio, consultare un medico.

### Principianti

#### 50-60% della massima frequenza cardiaca

Adatta per persone in fase di dieta dimagrante, principianti, convalescenti e per chi non fa esercizio da molto tempo. Allenarsi almeno tre volte alla settimana, per 30 minuti alla volta.

### Livello avanzato

#### 60-70% della massima frequenza cardiaca

Adatta per coloro che desiderano migliorare e mantenere la forma fisica. Allenarsi almeno tre volte alla settimana, per 30 minuti alla volta.

**Esperti**

**70-80% della massima frequenza cardiaca**

Adatta per le persone in perfetta forma fisica abituate ad allenamenti che richiedono molta resistenza.

**Utilizzo**

**Regolazione dei piedi di supporto (fig. E-1)**

L'apparecchio è dotato di 4 piedi di supporto. Se l'apparecchio non è stabile, è possibile regolare i piedi di supporto.

- Ruotare i piedi di supporto come necessario per rendere stabile il tapis roulant.
- Serrare i controdadi per bloccare i piedi di supporto.

**NOTA**

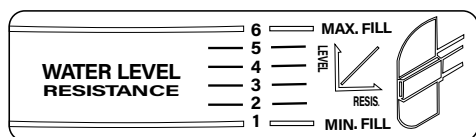
- La stabilità della macchina è maggiore quando tutti i piedi di supporto sono completamente avvitati. Pertanto iniziare a livellare la macchina avvitando completamente tutti i piedi di supporto, prima di svitare il piede di supporto necessario a stabilizzarla

**Regolazione della resistenza**

Per aumentare o diminuire la resistenza, regolare il livello dell'acqua.

- Un maggior quantitativo di acqua produce più resistenza.
- Un minore quantitativo di acqua produce meno resistenza.

La scala sul serbatoio dell'acqua aiuta a trovare e impostare una resistenza adeguata.



Max. fill	6	±	12.8 ltr
	5	±	11.9 ltr
	4	±	11.1 ltr
	3	±	10.5 ltr
	2	±	9.5 ltr
Min. fill	1	±	8.5 ltr

**Regolare la tensione della corda elastica (fig. E-2)**

Quando si ha la sensazione che durante l'allenamento la corda del manubrio non si riavvolga in modo abbastanza veloce o uniforme, è possibile regolare la corda elastica come segue.

- Posizionare il vogatore in posizione verticale.
- Individuare la corda elastica sotto il telaio del serbatoio dell'acqua.
- Riposizionare la corda elastica da A a B (se la corda elastica è già in posizione B, posizionare su C)
- Rimettere il vogatore in posizione di allenamento e provare se il miglioramento è sufficiente.

**Come si effettua la vogata**

	<b>Preso</b> Piegarsi in avanti con la schiena e le braccia diritte mantenendo una posizione comoda.
--	---

	<b>Voga</b> Spingere con le gambe mentre le braccia rimangono dritte.
	<b>Finale</b> Tirare con le braccia e le gambe inclinando leggermente all'indietro il bacino.
	<b>Recupero</b> La parte superiore del corpo si piega in avanti sul bacino e si sposta in avanti.
	<b>Preso</b> Ritorno alla posizione di partenza per ricominciare da capo.

**Preso - Voga**

Iniziare la vogata piegandosi comodamente in avanti, quindi spingere con forza all'indietro con le gambe mantenendo braccia e schiena diritte.

**Finale**

Iniziare a tirare indietro le braccia facendole oltrepassare le ginocchia e continuare la vogata fino al suo completamento piegando leggermente all'indietro il bacino.

**Recupero - Preso**

Ritornare alla posizione di partenza e ripetere.

**AVVISO**

- Consultare sempre un medico prima di iniziare un programma di allenamento.
- Interrompere immediatamente se si avvertono vertigini o una sensazione di svenimento.

**Console (fig. F-1)**

**AVVISO**

- Non esporre la console alla luce solare diretta.
- Asciugare la superficie della console se è coperta da gocce di sudore.
- Non appoggiarsi sulla console.
- Toccare il display solo con la punta delle dita. Non toccare il display con le unghie o con oggetti appuntiti.

**NOTA**

- La console passa in modalità standby quando l'apparecchio non viene utilizzato per 4 minuti.

**Spiegazione delle funzioni visualizzate**

**Time**

- Se non viene impostato il valore dell'obiettivo, il conteggio del tempo scorrerà normalmente.

- Se il valore dell'obiettivo è impostato, il tempo verrà conteggiato alla rovescia a partire dal tempo dell'obiettivo e un allarme emetterà un segnale acustico o lampeggerà al raggiungimento dello 0. (Durante il conto alla rovescia viene mostrato il tempo "rimanente")
- Durante l'allenamento, se non viene trasmesso alcun segnale al monitor per 4 secondi, il tempo si arresterà
- Intervallo: 0:00~99:59/± 1:00

## Time/ 500M

Mostra il tempo necessario per eseguire un allenamento a 500 metri di distanza, in base all'intensità di voga corrente.

Tempo A+/ 500 m: Quando l'allenamento viene interrotto, viene visualizzato il tempo medio/valore su 500 m dell'ultimo allenamento.

## Distance

- Se non viene impostato il valore dell'obiettivo, la distanza sarà conteggiata normalmente.
- Se il valore dell'obiettivo viene impostato, la distanza sarà conteggiata alla rovescia a partire dall'obiettivo di distanza e un allarme emetterà un segnale acustico o lampeggerà al raggiungimento dello 0. (Durante il conto alla rovescia, viene visualizzata la distanza "rimanente")
- Intervallo: 0~99900 /± 100 (m)

## Calories

- Se non viene impostato il valore dell'obiettivo, le calorie saranno conteggiate normalmente.
- Se si imposta il valore dell'obiettivo, le calorie verranno conteggiate alla rovescia dal valore dell'obiettivo fino allo 0 con un allarme acustico o lampeggiante. (Durante il conto alla rovescia, vengono visualizzate le calorie "rimanenti")
- Intervallo: 0~9990.

## 🔊 NOTA

- Questi dati sono una guida approssimativa per il confronto di diverse sessioni di esercizi e non possono essere utilizzati in cure mediche

## Pulse

- Il battito corrente viene visualizzato dopo 6 secondi da quando viene rilevato dalla console.
- Il valore del battito lampeggia quando è in linea con l'obiettivo (obiettivo = valore preimpostato +5)
- Battito cardiaco A+: Quando l'allenamento viene interrotto, viene visualizzato il battito medio dell'ultimo allenamento.

## Strokes

- Se il valore dell'obiettivo non è impostato, le vogate vengono contate normalmente.
- Se il valore dell'obiettivo viene impostato, le vogate saranno conteggiate alla rovescia a partire dall'obiettivo di distanza e un allarme emetterà un segnale acustico o lampeggerà al raggiungimento dello 0. (Durante il conto alla rovescia, vengono visualizzate le "rimanenti")
- Intervallo 0 ~9990 /± 10

## Total Strokes

Visualizza il numero totale di vogate di tutti gli allenamenti. Questo valore non può essere resettato, se non cambiando le batterie.

## SPM

- SPM rappresenta le vogate al minuto e mostra le vogate medie al minuto durante l'allenamento.
- In "Modalità allenamento" possono essere impostate come obiettivo nell'intervallo 20~80.
- A+SPM: Quando l'allenamento viene interrotto, viene visualizzato il valore SPM medio dell'ultimo allenamento.

## Modalità standby

In modalità standby, la console visualizza:

- Tempo reale (HH:MM)
- Data reale reale (AAAA/MM/GG)
- Temperatura ambiente (°Celsius)

Per impostare correttamente l'ora e la data,

- Tenere premuto il tasto Reset per 3 secondi per accedere alla modalità di programmazione ora/data.
- Utilizzare i tasti Su/Giù per regolare i parametri di ora e data e Invio per confermare le impostazioni.

## Funzione allarme

Dopo aver impostato correttamente i parametri di ora e data, è anche possibile scegliere di impostare un allarme.

(L'allarme può suonare solo in modalità standby.)

- Impostare l'allarme in modalità on o off utilizzando i tasti su/giù e confermare con Invio.
- Se l'allarme è in modalità on (viene visualizzata la campana) e le cifre dell'ora lampeggiano, impostare l'ora della sveglia desiderata utilizzando i tasti su/giù e confermare con Invio.
- Fare lo stesso per minuti e confermare con Invio.
- L'allarme è impostato e verrà attivato (solo se la console è in modalità standby)

## Spiegazione dei tasti

### Up

- Selezione dell'impostazione.
- Aumento del valore.

### Down

- Selezione dell'impostazione.
- Diminuzione del valore.

### Enter

- Confermare l'impostazione. (in modalità programmazione)
- Scansione dei parametri (in modalità allenamento)

### Start/ Stop

- Inizio allenamento. (in modalità programmazione)
- Interruzione (pausa) dell'allenamento. (in modalità allenamento)
- Ripresa dell'allenamento. (in modalità stop)

### Reset

- In modalità impostazione, premere una volta il tasto RESET per resettare i valori della funzione corrente.
- Premere il tasto RESET per 2 secondi per resettare tutti i valori delle funzioni e riavviare la console.



## Recovery

- Il tasto RECUPERO è valido esclusivamente se vengono rilevati battiti.
- Il TEMPO visualizzerà "0:60" (secondi) e verrà eseguito il conto alla rovescia fino a 0.
- Il computer visualizzerà da F1 a F6 dopo il conto alla rovescia per verificare lo stato di recupero della frequenza cardiaca. L'utente può trovare il livello di recupero della frequenza cardiaca in base al grafico sottostante.
- Premere nuovamente il tasto RECUPERO per tornare all'inizio.

F1	Eccezionale
F2	Eccellente
F3	Buono
F4	Normale
F5	Sotto la media
F6	Scarso

## Funzionamento

### Accensione

- Premere un tasto qualsiasi per accendere la console quando è in modalità sospensione...
- In modalità sospensione, iniziare l'allenamento per accendere la console.

### Spegnimento

Se non viene trasmesso alcun segnale al monitor per 4 minuti, questo entrerà in modalità SOSPENSIONE in automatico. (I dati dell'allenamento attivo andranno persi)

## Programmi

### Modalità manuale

- Selezionare "Manuale" e confermare con "Invio"
- Impostare l'obiettivo di allenamento per "Tempo, Distanza, Calorie vogata e Battito cardiaco" utilizzando i tasti "Su/Giù", quindi confermare con Invio.
- Premere il tasto "Start/Stop" per iniziare l'allenamento di configurazione.

#### ⚠ NOTA

- È possibile impostare un solo obiettivo, gli obiettivi non impostati dovrebbero essere confermati come obiettivo "0".
- Il battito cardiaco non è un obiettivo che termina l'allenamento, ma è impostato solo come avviso.
- Se è stato impostato un obiettivo, l'allenamento terminerà quando questo viene raggiunto.
- Se non è impostato alcun obiettivo, l'allenamento continuerà fino a quando l'utente non lo interrompe.

### Modalità gara

- Premere il tasto modalità per selezionare "Modalità gara" e confermare con "Invio".
- Sarà visualizzato L9, usare i tasti Su/Giù per impostare il livello desiderato della "Modalità gara" e confermare con "Invio". Sarà visualizzato "Tempo/500, cioè il tempo PC da battere

Modalità	Tempo/ 500
L1	8:00 min
L2	7:30 min
L3	7:00 min
L4	6:30 min
L5	6:00 min
L6	5:30 min

L7	5:00 min
L8	4:30 min
L9	4:00 min
L10	3:30 min
L11	3:00 min
L12	2:30 min
L13	2:00 min
L14	1:30 min
L15	1:00 min

- Impostare la distanza di allenamento desiderata ( $\pm$  500 m) e confermare con "Invio"
- Premere il pulsante "Start/Stop" per avviare un conto alla rovescia di 3 secondi prima dell'inizio dell'allenamento.

#### ⚠ NOTA

- La formazione terminerà quando il computer (PC) o l'utente avrà raggiunto per primo la fine.
- La console visualizzerà "Vittoria utente" o "Vittoria PC" una volta l'utente o il computer avrà raggiunto per primo la fine dell'allenamento e lo interrompe.

## Pulizia e manutenzione

L'apparecchio non richiede manutenzione speciale. L'apparecchio non richiede ricalibrazione quando viene assemblato, utilizzato e sottoposto a assistenza in conformità con le istruzioni.

#### ⚠ ATTENZIONE

- Non utilizzare solventi per pulire l'apparecchio.
- Pulire l'apparecchio con un panno morbido e assorbente dopo ogni uso.
- Verificare regolarmente che tutte le viti e i dadi siano serrati.
- Se necessario, lubrificare i raccordi.

### L'acqua cambia colore o diventa torbida

#### Possibile causa:

Il vogatore è esposto alla luce diretta del sole o non è stato effettuato il trattamento dell'acqua.

#### Soluzione:

- Cambiare la posizione del vogatore per ridurre l'esposizione diretta alla luce del sole.
- Aggiungere il trattamento dell'acqua o cambiare l'acqua del serbatoio come indicato nella sezione dedicata di questo manuale.

### Sostituzione delle batterie (Fig F-2)

La console è dotata di 2 batterie stilo AA sul retro della console.

- Rimuovere il coperchio.
- Rimuovere le vecchie batterie.
- Inserire le nuove batterie. Verificare che le batterie rispettino i simboli della polarità (+) e (-).
- Montare il coperchio.

## Disturbi durante l'uso

Nonostante un continuo controllo della qualità, l'attrezzatura potrebbe talvolta presentare difetti e malfunzionamenti, causati da qualche singolo componente. Nella maggior parte dei casi, non c'è bisogno di mettersi a far riparare tutta l'attrezzatura, ma generalmente basta sostituire il pezzo o la parte difettosa.

Se l'attrezzo non funziona bene durante l'uso o se si ha bisogno dei pezzi di ricambio, contatta il tuo rivenditore Tunturi indicando che cosa ti tratta, le condizioni in cui lo usi, la data di acquisto, il modello e il numero di serie del tuo attrezzo. Si raccomanda di utilizzare sempre pezzi di ricambio originali.

Se c'è bisogno di pezzi di ricambio, è necessario sempre indicare il modello, il numero di serie della macchina e il codice del pezzo di ricambio necessario. L'elenco dei pezzi di ricambio si trova sul retro di questo manuale. Utilizzare solo i pezzi di ricambio indicati nell'elenco.

### Risoluzione dei problemi:

- Se la visualizzazione dello schermo LCD è debole, significa che le batterie devono essere cambiate.
- Se non c'è nessun segnale quando si pedala, controllare se il cavo è connesso bene.

### ⚠️ NOTA

- Se si interrompe l'allenamento per 4 minuti, la schermata principale si spegnerà.
- Se il computer visualizza le cose in modo anomalo, reinsertire le batterie e riprovare.

## Trasporto e stoccaggio

### ⚠️ ATTENZIONE

- Per trasportare e spostare l'apparecchio sono necessarie almeno due persone.
- Posizionarsi in piedi davanti all'apparecchio da entrambi i lati e afferrare saldamente le impugnature. Sollevare la parte anteriore dell'apparecchio in modo da sollevare il retro sulle ruote. Spostare l'apparecchio e abbassarlo con cura. Collocare l'apparecchio su una base protettiva per evitare danni alla superficie del pavimento.
- Spostare l'apparecchiatura con attenzione sulle superfici irregolari. Non spostare l'apparecchio al piano superiore utilizzando le ruote ma sostenerlo per le impugnature.
- Riporre l'apparecchio in un luogo asciutto con la minore variazione di temperatura possibile.

## Informazioni aggiuntive

### Smaltimento dell'imballo

Le linee guida governative chiedono di ridurre la quantità di rifiuti smaltiti nelle discariche. Per questo vi chiediamo di smaltire in modo responsabile tutti i rifiuti d'imballo presso dei centri di riciclaggio pubblici.

### Smaltimento a fine vita

Noi di Tunturi speriamo che possiate godervi molti anni di piacevole uso dal nostro fitness trainer. Tuttavia, arriverà il momento quando il vostro fitness trainer arriverà alla fine della sua vita utile. Secondo la Legislazione Europea WEEE voi siete responsabili per uno smaltimento appropriato del vostro fitness trainer presso una struttura di raccolta pubblica autorizzata.

## Dati tecnici

Parametro	Unità di misura	Valore
Ricevitore per la frequenza cardiaca telemetrico	contatto con la mano 5.3~ 5.4 KHz. Bluetooth (BLE) ANT+	<input checked="" type="checkbox"/> <input checked="" type="checkbox"/> <input checked="" type="checkbox"/> <input checked="" type="checkbox"/>
Lunghezza	cm inch	211,0 83,1
Larghezza	cm inch	56,0 22,0
Altezza	cm inch	107,0 42,1
Peso	kg lbs	39,5 87,1
Peso massimo utente	kg lbs	150 330
Tipo delle batterie	2xs	AA

## Garanzia

### Garanzia dell'attrezzo sportivo Tunturi

#### Condizioni di garanzia

Il consumatore è tutelato da tutti i diritti previsti dalla legislazione nazionale e riguardanti l'acquisto di beni di consumo. Questi diritti fondamentali non sono limitati dalle condizioni di garanzia. La garanzia entra in vigore solo se l'attrezzo in questione prodotto dall'azienda Tunturi Ltd. viene utilizzato in linea con le condizioni ambientali d'uso specificate dal fabbricante. Le condizioni ambientali d'uso degli attrezzi son

#### Condizioni per la garanzia

La garanzia entra in vigore dalla data dell'acquisto dell'attrezzo. Le condizioni per la garanzia possono variare in funzione del paese. Rivolgersi al rivenditore di zona per maggiori informazioni sulle condizioni per la garanzia.

#### Copertura della garanzia

L'azienda Tunturi Ltd ed i suoi rappresentanti non rispondono per nessun motivo dei danni indiretti causati all'acquirente dall'attrezzo. Per danni indiretti s'intendono quelli relativi al mancato sfruttamento dell'attrezzo, mancato guadagno o altri danni di natura economica.

#### Limiti di garanzia

La garanzia copre i difetti di materiale e fabbrica dell'attrezzo che si manifestano subito dopo l'acquisto. La garanzia copre solo i difetti che si manifestano durante l'uso normale e conforme alle istruzioni del manuale di installazione, manutenzione ed uso fornito da Tunturi. L'azienda Tunturi Ltd ed i suoi rivenditori non rispondono dei danni causati da eventi al di fuori del loro controllo. La garanzia riguarda solo il proprietario originario dell'attrezzo ed è in vigore solo in quei paesi in cui Tunturi Ltd dispone di un proprio rappresentante autorizzato.

La garanzia non copre i difetti di quegli attrezzi o componenti che sono stati modificati senza l'espressa autorizzazione del fabbricante Tunturi Ltd. La garanzia non copre i difetti causati dalla normale usura, da un uso in condizioni non previste, dalla corrosione, dalla movimentazione e dal trasporto.

La garanzia non copre rumori o suoni emessi durante l'uso a meno che non impediscano l'uso dell'attrezzo e che non siano causati da un guasto all'attrezzo stesso.

La garanzia non comprende nemmeno i normali interventi di servizio dell'attrezzo, come per esempio la pulizia, lubrificazione, controllo periodico dei componenti né le piccole installazioni che può effettuare il cliente stesso e che non richiedono lo smontaggio/montaggio dell'attrezzo. Questi interventi sono, per esempio, la sostituzione del pannello, dei pedali o di altri componenti analoghi. La garanzia non copre gli interventi di riparazione previsti, se non vengono eseguiti da un rappresentante autorizzato Tunturi. Se sbagliate a seguire le istruzioni del manuale d'uso, decade subito la garanzia sul prodotto.

## **Dichiarazione del fabbricante**

---

Tunturi New Fitness BV dichiara che questo prodotto è conforme ai seguenti standard e direttive: EN 957 (HC), 2014/30/EU. Pertanto sul prodotto è apposto il marchio CE.

07-2020

Tunturi New Fitness BV  
Purmerweg 1  
1311 XE Almere  
Paesi Bassi

## **Clausola di esonero della responsabilità**

---

© 2020 Tunturi New Fitness BV  
Tutti i diritti riservati.

- Il prodotto e il manuale sono soggetti a modifiche.
- Le specifiche tecniche possono essere modificate senza preavviso.
- Vedere il nostro sito Web per la versione del manuale più recente.

## Español

Este manual español es una traducción del texto inglés. No se pueden derivar derechos de esta traducción. El texto original en inglés prevalecerá.

## Índice

<b>Advertencias de seguridad</b> .....	<b>52</b>
<b>Instrucciones de montaje</b> .....	<b>52</b>
Descripción (fig. A) .....	52
Contenido del paquete (fig. B&C).....	53
Montaje (fig. D).....	53
<b>Ajustar el nivel de agua</b> .....	<b>53</b>
Rellenar el tanque con agua (Fig. E-3).....	53
Quitar agua del tanque (fig. E-4).....	53
Tratamiento agua .....	53
<b>Sesiones de ejercicio</b> .....	<b>53</b>
Ejercicio Instrucciones .....	53
Del ritmo cardíaco .....	54
<b>Uso</b> .....	<b>54</b>
Ajuste de los pies de soporte Fig. E-1) .....	54
Ajuste de la resistencia .....	55
Ajuste de la tensión de la cuerda elástica (fig. E-2).....	55
Como remar.....	55
<b>Consola (fig. F-1)</b> .....	<b>55</b>
Explicación de las funciones de la pantalla .....	55
Explicación de los botones.....	56
Funcionamiento.....	56
Programas.....	57
<b>Limpieza y mantenimiento</b> .....	<b>57</b>
El agua cambia de color o se enturbia .....	57
Sustitución de las pilas (fig. F-2) .....	57
<b>Defectos y fallos</b> .....	<b>57</b>
<b>Transporte y almacenamiento</b> .....	<b>57</b>
Información adicional .....	58
<b>Datos técnicos</b> .....	<b>58</b>
<b>Garantía</b> .....	<b>58</b>
<b>Declaración del fabricante</b> .....	<b>58</b>
<b>Descargo de responsabilidad</b> .....	<b>58</b>

## Remo

¡Bienvenido al mundo de Tunturi Fitness!

Le agradecemos la compra de esta máquina Tunturi. Tunturi ofrece una amplia gama de máquinas de fitness profesionales como bicicletas elípticas, cintas de correr y bicicletas de ejercicio. La máquina Tunturi es adecuada para toda la familia, independientemente del nivel de forma física. Si desea información adicional, visite nuestro sitio web [www.tunturi.com](http://www.tunturi.com)

### Información y precauciones

Lea atentamente esta guía antes del montaje, uso o mantenimiento de su equipo de ejercicio. Mantenga esta guía en lugar seguro; le brindará hoy y en el futuro la información que necesite para usar y mantener su equipo. Siga siempre atentamente sus instrucciones.

## Advertencias de seguridad

### ⚠ ADVERTENCIA

- Lea las advertencias de seguridad y las instrucciones. De no seguirse las advertencias de seguridad y las instrucciones pueden producirse lesiones personales o daños en la máquina. Conserve las advertencias de seguridad y las instrucciones para su consulta posterior.

### ⚠ ADVERTENCIA

- Los sistemas de motorización de frecuencia cardíaca pueden ser imprecisos. Un exceso de ejercicio puede provocar lesiones graves o incluso la muerte. Si se siente mareado, deje de hacer ejercicio inmediatamente.

- La máquina es adecuada únicamente para uso doméstico. La máquina no es adecuada para un uso comercial.
- El uso máx. Está limitado a 2 horas al día.
- El uso de esta máquina por niños o por personas con una discapacidad física, sensorial o motora, o falta de experiencia y conocimientos, puede dar lugar a situaciones de riesgo. Las personas responsables de su seguridad deben dar instrucciones explícitas o supervisar el uso de la máquina.
- Antes de empezar a hacer ejercicio, consulte con un médico para comprobar su estado de salud.
- Si experimenta náuseas, mareos u otros síntomas anormales, deje de hacer ejercicio inmediatamente y consulte con un médico.
- Para evitar dolor y tensión muscular, realice un calentamiento antes de empezar a hacer ejercicio y termine haciendo relajación. Recuerde hacer estiramientos al final de la sesión de ejercicio.
- La máquina es adecuada únicamente para uso en interior. La máquina no es adecuada para un uso en exterior.
- Utilice la máquina únicamente en lugares con una ventilación adecuada. No utilice la máquina en lugares donde haya corriente para no resfriarse.
- Utilice la máquina únicamente en lugares con una temperatura ambiente entre 10 °C y 35 °C. Almacene la máquina únicamente en lugares con una temperatura ambiente entre 5 °C y 45 °C.
- No utilice ni almacene la máquina en espacios húmedos. La humedad del aire no debe ser superior al 80%.
- Utilice la máquina sólo para su uso previsto. No la utilice para otros fines que no sean los descritos en el manual.
- La máquina no debe utilizarse si alguna de las piezas ha sufrido daños o tiene algún defecto. Contacte con su proveedor si alguna de las piezas ha sufrido daños o tiene algún defecto.
- Mantenga las manos, los pies y demás partes del cuerpo alejadas de las piezas móviles.
- Mantenga el pelo alejado de las piezas móviles.
- Lleve ropa y calzado adecuado.
- Mantenga la ropa, las joyas y otros objetos alejados de las piezas móviles.
- Asegúrese de que sólo una persona utilice la máquina cada vez. La máquina no debe ser utilizada por personas cuyo peso supere los 150 kg (330 lbs).
- No abra la máquina sin consultar con su proveedor.

## Instrucciones de montaje

### Descripción (fig. A)

El remo es una máquina estacionaria de fitness que se utiliza para simular la acción de remar sin generar una presión excesiva en las articulaciones.

## Contenido del paquete (fig. B&C)

- El paquete contiene los elementos que se muestran en la fig. B.
- El paquete contiene los elementos de fijación que se muestran en la fig. C. consulte la sección "Descripción".

### 🔧 NOTA

- Si falta una pieza, contacte con su proveedor.

## Montaje (fig. D)

### ⚠️ ADVERTENCIA

- Monte la máquina en el orden indicado.
- Al menos dos personas deben transportar y mover la máquina.

### ⚠️ PRECAUCIÓN

- Coloque la máquina sobre una superficie firme y nivelada.
- Coloque la máquina sobre una base protectora para evitar daños en la superficie del suelo.
- Deje unos 100 cm de espacio alrededor de la máquina.

- Consulte las ilustraciones para el correcto montaje de la máquina.

## Ajustar el nivel de agua

### Rellenar el tanque con agua (Fig. E-3)

- Quitar el tapón de goma del tanque de la parte superior.
- Poner un cubo de agua grande junto al remo y colocar el sifón con la manguera rígida en el cubo y la manguera flexible en el tanque como se muestra. Asegurarse que la válvula pequeña de oxigenación de la parte superior del sifón está cerrada antes de rellenar.

### 🔧 NOTA

- Se necesitan 13 litros de agua para un llenado máximo.
- Donde el agua es de poca calidad, recomendamos usar agua destilada.
- Poniendo un cubo mayor que el tanque permitiremos al sifón "auto-bombearse" cuando se añada agua al tanque.
- Considerar usar una toalla debajo del cubo y del tanque de agua para prevenir manchas en el suelo.

### ⚠️ ADVERTENCIA

- Si no se posiciona el mando de ajuste a MAX antes de llenar el tanque causará niveles de llenado inexactos y posibles fugas.
- Comience a llenar el depósito apretando el sifón. Use la pegatina de indicador de nivel en el lado del tanque para confirmar el volumen de agua en el tanque.
- Después de rellenar el tanque al nivel de agua deseado, abrir la válvula de la parte superior del sifón que permite la evacuación del exceso de agua.
- Asegurarse que el tapón del tanque es colocado una vez rellenado y el procedimiento del agua es completado.

### Quitar agua del tanque (fig. E-4)

- Quitar el tapón del tanque.
- Insertar la manguera rígida del sifón dentro del tanque de agua.
- Inserta la manguera flexible dentro de un cubo grande.
- Desagüe el tanque (aproximadamente 40% del agua permanecerá en el tanque. Si no es posible desaguar el tanque completamente sin desmontar el tanque)

- Rellenar el tanque siguiendo las instrucciones de la sección "Rellenar el tanque con agua" de este manual.

### 🔧 NOTA

- Si el procedimiento de agua es mantenido, no será necesario cambiar el agua del interior del tanque. Un tratamiento adicional del agua con una tableta sólo es necesario cuando aparece decoloración en el agua.
- La exposición de los rayos del sol afecta al agua. Quitando el remo del contacto directo de los rayos del sol el tiempo entre tratamientos del agua será mayor.

## Tratamiento agua

Añadir una tableta para el tratamiento del agua.

Añadir una tableta para el tratamiento del agua cuando el agua este sucia o no este clara.

### ⚠️ ADVERTENCIA

- Usar sólo las tabletas de tratamiento de agua suministradas por Tunturi.

## Sesiones de ejercicio

La sesión de ejercicio debe ser ligera, pero de larga duración. El ejercicio aeróbico se basa en mejorar el consumo de oxígeno máximo del cuerpo, lo que a su vez mejora la resistencia y la forma física. Debe transpirar, pero no debe quedarse sin aliento durante la sesión de ejercicio. Para lograr y mantener un nivel de forma física básico, debe realizar ejercicio al menos tres veces a la semana, 30 minutos cada vez. Aumente el número de sesiones de ejercicio para mejorar su nivel de forma física. Vale la pena combinar el ejercicio regular con una dieta sana. Una persona que se encuentre a dieta debe realizar ejercicio a diario, al principio 30 minutos o menos cada vez, aumentando gradualmente el tiempo de ejercicio diario hasta una hora. Empiece la sesión de ejercicio a velocidad baja y resistencia baja para evitar que el sistema cardiovascular se vea sometido a una tensión excesiva. A medida que mejore el nivel de forma física, pueden aumentarse gradualmente la velocidad y la resistencia. La eficiencia de su ejercicio puede medirse supervisando su frecuencia cardíaca y sus pulsaciones.

## Ejercicio Instrucciones

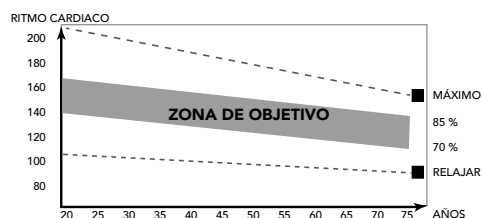
El uso de su entrenador le aportará muchas ventajas, mejorará su tono físico, tonificará los músculos y, combinado con una dieta con un consumo controlado de calorías, le ayudará a perder peso.

### Fase de calentamiento

Esta fase mejora la circulación y favorece el buen funcionamiento de los músculos. Asimismo, reduce el riesgo de calambres y de lesiones musculares. Es conveniente realizar una serie de ejercicios de estiramiento, como se muestra más abajo. Al estirar se debe mantener la posición durante unos 30 segundos; no fuerce los músculos ni realice movimientos bruscos para estirarlos, si duele, PARE inmediatamente.

### Fase de ejercicio

Esta es la fase de esfuerzo. Tras un uso regular, los músculos de las piernas irán ganando flexibilidad. Es importante mantener un ritmo estable durante toda esta fase. El ejercicio debe ser lo suficientemente fuerte como para incrementar el ritmo cardíaco hasta el objetivo que se muestra en el siguiente cuadro.



Esta fase debe tener una duración mínima de 12 minutos, aunque la mayoría de las personas empiezan a los 15-20 minutos.

### Fase de enfriamiento

La finalidad de esta fase es permitir que se relaje el sistema cardiovascular y los músculos. Es una repetición del ejercicio de calentamiento, por lo que debe ir reduciendo el ritmo de manera constante durante unos 5 minutos. En este momento debe repetir también los ejercicios de estiramiento, evitando de nuevo forzar los músculos o hacer movimientos bruscos.

A medida que vaya mejorando su forma física, es posible que el entrenamiento tenga que ser más largo e intenso. Es aconsejable entrenarse al menos tres veces a la semana, espaciando de manera uniforme, en la medida de lo posible, los entrenamientos durante la semana.

### Tonificación muscular

Si quiere tonificar los músculos mientras trabaja con el aparato, deberá ajustar la resistencia en un nivel bastante alto. Así aumentará la tensión sobre los músculos de las piernas, con lo que es posible que no pueda entrenarse durante todo el tiempo que le gustaría. Si quiere mejorar su condición física, tendrá que modificar también el programa de entrenamiento. El entrenamiento durante las fases de calentamiento y enfriamiento será igual, pero debe aumentar la resistencia hacia el final de la fase de ejercicio para incrementar el esfuerzo del tren inferior. Tendrá que reducir la velocidad para mantener el ritmo cardíaco en la zona objetivo.

### Pérdida de peso

El factor determinante en este sentido es el esfuerzo realizado. Cuanto más intenso y prolongado sea el ejercicio físico, más calorías quemará. En realidad, es lo mismo que si se entrenara para mejorar la condición física, lo que cambia es el objetivo.

## Del ritmo cardíaco

### Medición de la frecuencia cardíaca (correa en el pecho para la frecuencia cardíaca)

#### NOTA

- Una correa de pecho no viene de serie con este entrenador. Cuando te gusta usar una correa de cofre inalámbrica, debes comprarla como accesorio.

La medición más precisa de la frecuencia cardíaca se logra con una correa en el pecho para la frecuencia cardíaca. La frecuencia cardíaca se mide con un receptor de frecuencia cardíaca en combinación con una correa transmisora de la frecuencia cardíaca. Para una medición precisa de la frecuencia cardíaca es necesario que los electrodos de la correa transmisora estén ligeramente húmedos y que toquen constantemente la piel. Si los electrodos están demasiado secos o demasiado húmedos, la medición de la frecuencia cardíaca puede resultar menos precisa.

#### ADVERTENCIA

- Si usted tiene un marcapasos, consulte con un médico antes de utilizar una correa en el pecho para la frecuencia cardíaca.

#### PRECAUCIÓN

- Si hay varios dispositivos de medición de frecuencia cardíaca en proximidad, asegúrese de que la distancia entre ellos sea de al menos 2 metros.
- Si sólo hay un receptor de frecuencia cardíaca y varios transmisores, asegúrese de que sólo una persona con un transmisor se encuentre en la zona de transmisión.

#### NOTA

- Lleve siempre la correa en el pecho para la frecuencia cardíaca debajo de la ropa, en contacto directo con la piel. No lleve la correa en el pecho para la frecuencia cardíaca por encima de la ropa. Si lleva la correa en el pecho para la frecuencia cardíaca por encima de la ropa, no habrá señal.
- Si define un límite de frecuencia cardíaca para su sesión de ejercicio, cada vez que éste se supere sonará una alarma.
- El transmisor transmite la frecuencia cardíaca a la consola hasta una distancia de 1,5 metro. Si los electrodos no están húmedos, la frecuencia cardíaca no aparece en la pantalla.
- Algunas fibras de la ropa (p. ej. poliéster, poliamida) generan electricidad estática, la cual puede impedir la medición precisa de la frecuencia cardíaca.
- Los teléfonos móviles, las televisiones y otros aparatos eléctricos generan un campo electromagnético que puede impedir la medición precisa de la frecuencia cardíaca.

### Frecuencia cardíaca máxima (durante el entrenamiento)

alcanzar una persona de forma segura por la tensión del ejercicio. Se utiliza la siguiente fórmula para calcular la frecuencia cardíaca máxima media:  $220 - \text{EDAD}$ . La frecuencia cardíaca máxima varía según la persona.

#### ADVERTENCIA

- Asegúrese de no superar la frecuencia cardíaca máxima durante la sesión de ejercicio. Si usted se encuentra en un grupo de riesgo, consulte con un médico.

### Principiante

#### 50-60% de frecuencia cardíaca máxima

Adecuada para principiantes, personas que cuidan la línea, convalecientes y personas que no han hecho ejercicio en mucho tiempo. Haga ejercicio al menos tres veces a la semana, 30 minutos cada vez.

### Avanzado

#### 60-70% de frecuencia cardíaca máxima

Adecuada para personas que desean mejorar y mantener la forma física. Haga ejercicio al menos tres veces a la semana, 30 minutos cada vez.

### Experto

#### 70-80% de frecuencia cardíaca máxima

Adecuado para personas con muy buena forma física que están acostumbradas a sesiones de ejercicio de gran resistencia.

## Uso

### Ajuste de los pies de soporte Fig. E-1)

La máquina está equipada con 2 pies de soporte. Si la máquina no está estable, es posible ajustar los pies de soporte.

- Gire los pies de soporte tanto como sea necesario para estabilizar la máquina.
- Apriete las contratueras para bloquear los pies de soporte.

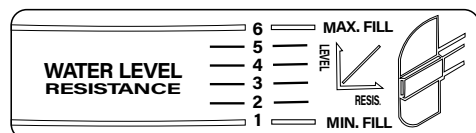
- La máquina es más estable cuando todos los pies de soporte están totalmente girados hacia dentro. Por tanto, empiece a nivelar la máquina girando totalmente hacia dentro todos los pies de soporte, antes de girar hacia fuera el pie de soporte necesario para estabilizar la máquina.

## Ajuste de la resistencia

Para aumentar o reducir la resistencia, ajuste el nivel de agua.

- Más agua significa más resistencia.
- Menos agua significa menos resistencia.

La escala del depósito de agua le ayuda a buscar y ajustar un grado adecuado de resistencia.



Max. fill	6	±	12.8 ltr
	5	±	11.9 ltr
	4	±	11.1 ltr
	3	±	10.5 ltr
	2	±	9.5 ltr
Min. fill	1	±	8.5 ltr

## Ajuste de la tensión de la cuerda elástica (fig. E-2)

Cuando tenga la sensación de que durante el entrenamiento la cuerda del manillar no se rebobina con suavidad o lo suficientemente deprisa, podrá ajustar la cuerda elástica de la siguiente manera.

- Coloque el remo en posición vertical.
- Encuentre la cuerda elástica debajo del bastidor del depósito de agua.
- Recoloque la cuerda elástica de A a B (si la cuerda ya está en la posición B, entonces colóquela en C)
- Vuelva a poner el remo en la posición de entrenamiento y pruebe para ver si la mejora es suficientemente buena.

## Como remar

	<b>Capturar</b> Cómodamente hacia delante con la espalda y brazos rectos..
	<b>Manejar</b> Empujar con las piernas mientras los brazos permanecen rectos.
	<b>Finalizar</b> Tire a través de sus brazos y piernas balanceándose ligeramente hacia atrás de su pelvis.
	<b>Recuperar</b> Es aconsejable llevar la parte superior del cuerpo sobre su pelvis y moverse hacia delante.



## Capturar

Volver a la posición de inicio y comenzar de nuevo.

## Capturar – Manejar

Comenzar la remada confortablemente en posición hacia delante y empujar hacia atrás con sus piernas mientras mantiene sus brazos y espalda rectos.

## Finalizar

Comenzar a empujar sus brazos hacia atrás hasta que rebasen sus rodillas y continuar la remada hasta la finalización de balanceo ligero hacia atrás de su pelvis.

## Recuperar – Capturar

Volver a la posición de inicio y repetir.

## ⚠ ADVERTENCIA

- Consultar siempre a un médico antes de comenzar un programa de ejercicio.
- Parar inmediatamente si siente fatiga o mareo.

## Consola (fig. F-1)

## ⚠ PRECAUCIÓN

- Mantenga la consola alejada de la luz solar directa.
- Seque la superficie de la consola cuando esté cubierta de gotas de sudor.
- No se apoye en la consola.
- Toque la pantalla únicamente con la punta del dedo. Asegúrese de no tocar la pantalla con las uñas ni objetos afilados.

## 📢 NOTA

- La consola pasa al modo de espera activa cuando la máquina no se usa durante 4 minutos.

## Explicación de las funciones de la pantalla

### Tiempo

- Si no se fija un valor objetivo, el tiempo contará hacia delante.
- Si se define un valor objetivo, el tiempo se irá descontando desde el valor fijado hasta 0 y sonará o parpadeará una alarma. (Durante la cuenta, se mostrará el tiempo "Restante").
- Si no se transmite ninguna señal al monitor en un plazo de cuatro segundos durante la sesión, el tiempo se detendrá
- Rango: 0:00~99:59 /± 1:00

### Tiempo/ 500 m

Muestra el tiempo necesario para recorrer una distancia de 500 metros basándose en la intensidad actual.

A+Tiempo/ 500 m: Cuando el entrenamiento se detenga, mostrará el valor promedio de tiempo / 500 m del último entrenamiento.

### Distancia

- Si no se fija un valor objetivo, la distancia contará hacia delante.
- Si se define un valor objetivo, la distancia se irá descontando desde el valor fijado hasta 0, cuando sonará o parpadeará una alarma. (Durante la cuenta atrás, se mostrará la distancia "Restante")
- Rango: 0~99900 /± 100 (m)



**Calorías**

- Si no se fija un valor objetivo, las calorías contarán hacia delante.
- Si se define un valor objetivo, las calorías se irán descontando desde el valor fijado hasta 0, cuando sonará o parpadeará una alarma. (Durante la cuenta atrás, se mostrarán las calorías "Restantes")
- Rango: 0 ~ 9990.

**NOTA**

- Estos datos sirven como guía para comparar distintas sesiones de ejercicio, pero no se pueden utilizar en tratamientos médicos

**Pulso**

- El pulso se mostrará en la pantalla a los 6 segundos cuando lo detecte la consola.
- El valor del pulso parpadeará cuando el ritmo cardíaco esté en el objetivo (objetivo = valor predeterminado + 5)
- A+Pulso: Cuando el entrenamiento se detenga, mostrará el valor promedio del pulso del último entrenamiento.

**Brazadas**

- Si no se fija un valor objetivo, las brazadas contarán hacia delante.
- Si se define un valor objetivo, las brazadas se irán descontando desde la distancia objetivo hasta 0, cuando sonará o parpadeará una alarma. (Durante la cuenta atrás se mostrarán las brazadas "Restantes")
- Rango 0 ~ 9990 /± 10

**Total de brazadas**

mostrará el número total de brazadas de todos los ejercicios. Este valor no se puede restablecer, a no ser que se cambien las pilas.

**BPM**

- BPM significa brazadas por minuto y muestra la media de brazadas por minuto durante la sesión.
- En "Modo de entrenamiento" esto se puede fijar como objetivo en un rango de 20~80.
- A+BPM: Cuando la sesión se detenga, se mostrará el valor promedio de BPM del último entrenamiento.

**Modo en espera**

En modo en espera, la consola mostrará:

- Hora real (HH:MM)
- Fecha real (AAAA/ MM/ DD)
- Temperatura ambiente (°centígrados)

Para ajustar la configuración de hora/ fecha correcta,

- Pulse y mantenga pulsado el botón Reset durante 3 segundos para entrar en el modo de programación de hora/ fecha.
- Use las teclas Arriba/ Abajo para ajustar los parámetros de Hora/ Fecha y Enter para confirmar los ajustes.

**Función de alarma**

Después de ajustar correctamente los parámetros de hora/ fecha, también podrá elegir ajustar una alarma.

(La alarma solo podrá sonar en modo en espera.)

- Ajuste la alarma en modo encendido o apagado con las teclas arriba/ abajo y confirme con Enter.
- Si la alarma está en modo encendido (se muestra la campana), los dígitos de la hora parpadearán, ajuste la hora de la alarma con las teclas arriba / abajo y confirme con Enter.
- Haga lo mismo para los minutos y confirme con Enter.
- La alarma se habrá ajustado y estará activada (solo si la consola está en modo en espera)

**Explicación de los botones****Arriba**

- Selección de ajustes.
- Aumenta el valor.

**Abajo**

- Selección de ajustes.
- Reduce el valor.

**Enter**

- Confirma el ajuste. (en modo de programación)
- Escanea parámetros (en modo de entrenamiento)

**Inicio/ Parada**

- Inicia el entrenamiento. (en modo de programación)
- Detiene (hace una pausa en) el entrenamiento. (en modo de entrenamiento)
- Reanuda el entrenamiento. (en modo de parada)

**Reset**

- En el modo de ajuste, pulse la tecla RESET una vez para restablecer a cero los datos de funcionamiento actuales.
- Pulse y mantenga pulsada la tecla RESET durante 2 segundos para restablecer a cero todos los datos de funcionamiento y reiniciar la consola.

**Recovery**

- La tecla RECOVERY solo servirá si se detecta el pulso.
- TIME mostrará "0:60" (segundos) y se irá descontando hasta 0.
- El ordenador mostrará F1 a F6 después de la cuenta atrás para comprobar el estado de recuperación del ritmo cardíaco. El usuario encontrará el nivel de recuperación del ritmo cardíaco basándose en el siguiente cuadro.
- Vuelva a pulsar RECOVERY para volver al principio.

F1	Extraordinario
F2	Excelente
F3	Bien
F4	Suficiente
F5	Por debajo de la media
F6	Mal

**Funcionamiento****Encendido**

- Pulse cualquier tecla para encender la consola cuando esta esté en modo descanso.
- Empiece el ejercicio para encender la consola cuando esta esté en modo descanso.

**Apagado**

Si no se transmite ninguna señal al monitor durante cuatro minutos, este se pondrá automáticamente en modo DESCANSO. (Se perderán los datos del entrenamiento activo)

**ADVERTENCIA**

- Se recomienda quitar las baterías si no se va a utilizar el equipo durante un período prolongado.



## Programas

### Modo manual

- Seleccione "Manual" y confirme pulsando "Enter"
- Fije el objetivo de entrenamiento para "Tiempo, Distancia, Brazadas, Calorías y Pulso" mediante las teclas "Arriba/Abajo" y confirme con Enter.
- Pulse el botón "Inicio/Parada" para iniciar la configuración del entrenamiento.

### NOTA

- Solamente se puede definir un objetivo, los otros se deben confirmar como "0".
- El pulso no es un objetivo que termine una sesión, solo se configura como advertencia.
- Si se fija un objetivo, la sesión terminará al alcanzarlo.
- En caso contrario, la sesión continuará hasta que el usuario decida terminarla.

### Modo Carrera

- Pulse el botón de modo para seleccionar el "Modo Carrera" y confirme pulsando "Enter".
  - Se mostrará L9, use la tecla Arriba/ Abajo para ajustar el nivel requerido del "Modo Carrera" y confirme con "Enter".
- El "Tiempo/ 500" es el tiempo del PC que tendrá que superar.

Modo	Time/ 500
L1	8:00 min
L2	7:30 min
L3	7:00 min
L4	6:30 min
L5	6:00 min
L6	5:30 min
L7	5:00 min
L8	4:30 min
L9	4:00 min
L10	3:30 min
L11	3:00 min
L12	2:30 min
L13	2:00 min
L14	1:30 min
L15	1:00 min

- Ajuste la distancia de entrenamiento que desee ( $\pm$  500 m) y confirme con "Enter".
- Pulse el botón "Inicio/ Parada" para iniciar una cuenta atrás de tres segundos antes de comenzar el entrenamiento.

### NOTA

- El entrenamiento terminará cuando el ordenador (PC) o usted (Usuario) haya llegado al final primero.
- En la consola se mostrará el mensaje "Usuario ha ganado" o "PC ha ganado" dependiendo de si acaba usted primero o lo hace el ordenador y, a continuación, el entrenamiento terminará.

## Limpieza y mantenimiento

La máquina no requiere un mantenimiento especial. No es necesario recalibrar la máquina cuando ésta se ha montado, utilizado y mantenido según las instrucciones.

### ADVERTENCIA

- No utilice disolventes para limpiar la máquina.
- Limpie la máquina con un paño suave y absorbente tras cada uso.
- Compruebe periódicamente que todos los tornillos y las tuercas estén apretados.
- En caso necesario, lubrique las juntas.

## El agua cambia de color o se enturbia

### Posible causa:

El remo está bajo la luz directa del sol o no ha habido tratamiento del agua.

### Solución:

- Cambie la ubicación del remo para reducir la exposición directa a la luz del sol.
- Agregue un tratamiento de agua o cambie el agua del depósito tal como se indica en la sección de tratamiento del agua de este manual.

## Sustitución de las pilas (fig. F-2)

La consola está equipada con 2 pilas AA en la parte posterior de la misma.

- Retire la cubierta.
- Retire las pilas usadas.
- Inserte pilas nuevas. Asegúrese de que coincidan las marcas de polaridad (+) y (-).
- Monte la cubierta.

## Defectos y fallos

A pesar del control de calidad continuo, la máquina puede presentar defectos y fallos ebidos a piezas individuales. En la mayoría de los casos, será suficiente sustituir la pieza defectuosa.

- Si la máquina no funciona correctamente, contacte inmediatamente con su proveedor.
- Facilite al proveedor el número de modelo y el número de serie de la máquina. Indique la naturaleza del problema, las condiciones de uso y la fecha de compra.

### Solución de problemas:

- Si la pantalla LCD está oscurecida, significa que las pilas deben cambiarse.
- Si no hay señal al pedalear, por favor compruebe que el cable esté bien conectado.

### NOTA

- Al detener el entrenamiento durante 4 minutos, la pantalla principal se apagará.
- Si el ordenador presenta información anormal en pantalla, por favor vuelva a instalar las pilas y prueba de nuevo.

## Transporte y almacenamiento

### ADVERTENCIA

- Antes del transporte y el almacenamiento, retire el adaptador.
- Al menos dos personas deben transportar y mover la máquina.
- Hay que colocarse de pie delante de la máquina en cada lado y agarrar bien por los manillares. Levante la parte delantera de la máquina para poder levantar la parte trasera sobre las ruedas.

Mueva la máquina y bájela con cuidado. Coloque la máquina sobre una base protectora para evitar daños en la superficie del suelo.

- Mueva la máquina con cuidado sobre superficies irregulares. No suba la máquina por las escaleras usando las ruedas; transporte la máquina por los manillares.
- Almacene la máquina en un lugar seco con la menor variación de temperatura posible.

## Información adicional

### Eliminación de embalajes

Las pautas gubernamentales exigen reducir la cantidad de residuos que se depositan en los basureros. Por este motivo, le rogamos que deseche los embalajes de manera responsable en centros públicos de reciclaje.

### Eliminación al final de la vida útil

Desde Tunturi esperamos que disfrute de su equipo de entrenamiento durante muchos años. No obstante, llegará un momento en que éste llegue al final de su vida útil. Conforme a la Directiva WEEE (relativa a la gestión de residuos procedentes de equipos eléctricos y electrónicos) le corresponde a usted la responsabilidad de desechar adecuadamente su equipo de entrenamiento en un centro público autorizado de recogida.

## Datos técnicos

Parámetro	Unidad de medición	Valor
Receptor telemétrico de la frecuencia cardíaca.	Contacto manual 5.3~ 5.4 KHz. Bluetooth (BLE) ANT+	<input checked="" type="checkbox"/> <input checked="" type="checkbox"/> <input checked="" type="checkbox"/> <input checked="" type="checkbox"/>
Longitud	cm inch	211,0 83,1
Anchura	cm inch	56,0 22,0
Altura	cm inch	107,0 42,1
Peso	kg lbs	39,5 87,1
Peso máx. del usuario	kg lbs	150 330
Tamaño de pila	2x	AA

## Garantía

### Garantía del propietario del equipo Tunturi

#### Condiciones de la garantía

El consumidor tiene derecho a la aplicación de los derechos legales específicos de la legislación nacional concernientes al comercio de bienes de consumo y esta garantía no limita dichos derechos. La Garantía del Propietario sólo estará en vigor cuando el equipo se utilice en el entorno de uso permitido por Tunturi New Fitness BV para dicho equipo de ejercicio. En las instrucciones de uso de cada aparato se especifica el entorno de uso permitido para el mismo.

#### Términos de la garantía

Los términos de la garantía comenzarán el día de la compra. Los términos de garantía pueden variar por país, así que consulte con su distribuidor local para ver cuáles son los términos de la garantía.

### Cobertura de la garantía

Tunturi New Fitness BV o los distribuidores Tunturi no responderán en ninguna circunstancia a causa de esta garantía por los eventuales daños indirectos, secundarios, resultantes o especiales de ningún tipo derivados del uso o la imposibilidad de uso de este equipo.

### Restricciones a la garantía

La garantía cubre los fallos debidos a la fabricación y los materiales en un equipo de ejercicio que esté en su ensambladura original. La garantía cubre solamente defectos que se manifiesten durante un uso normal, conforme a las instrucciones dadas en la guía suministrada con el equipo, a condición de que se hayan observado las instrucciones de montaje, mantenimiento y utilización proporcionadas por Tunturi. Tunturi New Fitness BV y los distribuidores Tunturi no pueden responder de fallos ocasionados por circunstancias ajenas a su control. La presente garantía sólo es válida para el comprador original del equipo de ejercicio y tiene vigencia solamente en los países en los que Tunturi New Fitness BV cuenta con un importador autorizado. La garantía no cubre los equipos de ejercicio o sus partes que hayan sido modificados sin el consentimiento previo de Tunturi New Fitness BV. La garantía no cubre fallos derivados del desgaste normal, de un uso indebido, de su uso en condiciones para las que el equipo no ha sido concebido, corrosión o daños sufridos durante la carga o el transporte.

La garantía no cubre los sonidos o ruidos emitidos durante el uso que no impidan de forma sustancial la utilización del equipo y que no estén provocados por un fallo del mismo

La garantía no cubre las actividades de mantenimiento tales como limpieza, lubricación o el ajuste normal de las piezas, ni los procedimientos de instalación que el cliente pueda realizar por sí mismo y que no requieran un desmontaje / montaje especial del equipo de ejercicio. Estos procedimientos son, por ejemplo, el cambio de contadores, pedales o de otras piezas simples similares. No se reembolsarán las reparaciones realizadas durante el periodo de garantía por agentes no autorizados por Tunturi. Si no se siguen adecuadamente las instrucciones dadas en el Manual del Propietario se invalidará la garantía del producto.

## Declaración del fabricante

Tunturi New Fitness BV declara que el producto es conforme con las siguientes normas y directivas: EN 957 (HC), 2014/30/EU. Por tanto, el producto dispone de marcado CE.

07-2020

Tunturi New Fitness BV  
Purmerweg 1  
1311 XE Almere  
The Netherlands

## Descargo de responsabilidad

© 2020 Tunturi New Fitness BV  
Reservados todos los derechos.

- El producto y el manual están sujetos a cambios.
- Las especificaciones pueden cambiarse sin previo aviso.
- Consulte nuestra página web para descargar la versión del manual de usuario más reciente.

## På svenska

Denna handbok är en översättning av den engelska texten. Vi förbehåller oss rätten till eventuella översättningsfel. Den engelska originaltexten råder.

## Index

<b>Roddmaskin</b> .....	<b>59</b>
<b>Säkerhetsvarningar</b> .....	<b>59</b>
<b>Monteringsanvisningar</b> .....	<b>59</b>
Beskrivning (fig. A).....	59
Förpackningens innehåll (fig. B&C) .....	60
Montering (fig. D) .....	60
<b>Justera tankens vattennivå</b> .....	<b>60</b>
Justera tankvattennivån (Kuva E-3).....	60
Avlägsna vatten från tanken (fig. E-4).....	60
Vattenbehandling .....	60
<b>Träning</b> .....	<b>60</b>
Övning Instruktioner .....	60
Hjärtfrekvens.....	61
<b>Användning</b> .....	<b>61</b>
Justera stödfötterna (fig. E-1).....	61
Reglering av spänning.....	61
Justera bunguspänningen (fig. E-2).....	62
Hur man rör.....	62
<b>Panel (fig. F-1)</b> .....	<b>62</b>
Förklaring av displayfunktioner.....	62
Förklaring till manöverknappar.....	63
Användning .....	63
Program .....	63
<b>Rengöring och underhåll</b> .....	<b>64</b>
Vattnet ändrar färg eller blir grumligt.....	64
Byta ut batterier (fig. F-2).....	64
<b>Fel och funktionsstörningar</b> .....	<b>64</b>
<b>Transport och lagring</b> .....	<b>64</b>
Ytterligare information.....	64
<b>Teknisk information</b> .....	<b>64</b>
<b>Garanti</b> .....	<b>65</b>
<b>Försäkran från tillverkaren</b> .....	<b>65</b>
<b>Friskrivning</b> .....	<b>65</b>

## Roddmaskin

Välkommen till Tunturi Fitness värld!

Tack för att du köpte denna utrustning från Tunturi. Tunturi erbjuder ett stort utbud av professionell träningsutrustning, exempelvis crosstrainers, löpband, träningscyklar och roddmaskiner. Utrustning från Tunturi passar hela familjen, oavsett träningsnivå. Mer information finns på vår webbplats, [www.tunturi.com](http://www.tunturi.com)

### Viktiga instruktioner om säkerhet

Läs noga igenom denna handbok innan du monterar, använder eller reparerar ditt nya träningsredskap. Spara denna handbok; den innehåller information som du behöver nu och i framtiden för att använda och underhålla ditt redskap. Följ alltid dessa instruktioner noggrant.

## Säkerhetsvarningar

### ⚠ VARNING

- Läs säkerhetsvarningarna och instruktionerna. Om inte säkerhetsvarningarna och instruktionerna följs kan det medföra skador på personer eller utrustningen. Behåll säkerhetsvarningarna och instruktionerna för framtida bruk.

### ⚠ VARNING

- System för övervakning av hjärtfrekvensen är inte alltid exakta. Överträning kan medföra allvarlig skada eller död. Sluta omedelbart att träna om du känner dig svag.

- Utrustningen är endast anpassad för hemmabruk. Utrustningen är inte anpassad
- Maximal användning är begränsad till 2 timmar per dag.
- Om utrustningen används av barn eller personer med fysiska, sensoriska, mentala eller motoriska handikapp, eller som saknar erfarenhet och kunskap, kan detta medföra risker. Personer som är ansvariga för deras säkerhet måste ge tydliga instruktioner, eller övervaka användningen av utrustningen.
- Innan du påbörjar din träning, uppsök en läkare som kan kontrollera din hälsa.
- Om du upplever illamående, yrsel eller andra onormala symptom, avsluta genast din träning och kontakta en läkare.
- Börja varje träningspass med att värma upp och avsluta varje träningspass med nedvarning för att undvika muskelsmärter och sträckningar. Kom ihåg att stretcha i slutet av träningen.
- Utrustningen är endast anpassad för användning inomhus. Utrustningen är inte anpassad för användning utomhus.
- Använd endast utrustningen i miljöer med god ventilation. Använd inte utrustningen i dragiga miljöer för att undvika att bli förkyld.
- Använd endast utrustningen i miljöer med temperatur mellan 10 °C och 35 °C. Förvara endast utrustningen i miljöer med temperatur mellan 5 °C och 45 °C.
- Använd inte och förvara inte utrustningen i fuktig miljö. Luftfuktigheten får aldrig överstiga 80%.
- Använd endast utrustningen för dess avsedda ändamål. Använd inte utrustningen för andra ändamål än de som beskrivs i handboken.
- Använd inte den här utrustningen om någon del är trasig eller skadad. Om någon del är trasig eller skadad, kontakta din återförsäljare.
- Håll undan händer, fötter och andra kroppsdelar från de rörliga delarna.
- Håll undan håret från de rörliga delarna.
- Bär passande kläder och skor.
- Håll undan kläder, smycken och andra föremål från de rörliga delarna.
- Låt bara en person åt gången använda utrustningen. Utrustningen får inte användas av personer som väger mer än 150 kg (330 lbs).
- Öppna inte utrustningen utan att kontakta din återförsäljare.

## Monteringsanvisningar

### Beskrivning (fig. A)

Din roddmaskin är en stationär träningsmaskin som används för att simulera rodd utan att orsaka kraftigt tryck på lederna.

## Förpackningens innehåll (fig. B&C)

- Förpackningen innehåller delarna som visas i fig. B.
- Förpackningen innehåller de fästdon som visas i fig. C. Se avsnittet "Beskrivning".

### ANMÄRKNING

- Om någon del saknas, kontakta din återförsäljare.

## Montering (fig. D)

### ⚠ VARNING

- Montera utrustningen i angiven ordning.
- Var två om att bära och förflytta utrustningen.

### ⚠ OBS.

- Placera utrustningen på en stabil och jämn yta.
- Placera utrustningen på en skyddande grund för att förhindra att golvet skadas.
- Lämna åtminstone 100 cm fritt runt utrustningen.

- Illustrationerna visar det korrekta sättet att montera utrustningen.

## Justera tankens vattennivå

### Justera tankvattennivån (Kuva E-3)

- Ta bort gummistanken från tankens topp.
- Placera en stor hink vatten bredvid roveren och placera sifongen med den styva slangen i hinken och den flexibla slangen i tanken enligt bilden. Se till att den lilla andningsventilen på toppen av sifongen är stängd före fyllning.

### NOTE

- 13 liter vatten krävs för maximal fyllning.
- Där vattenkvaliteten är dålig rekommenderar vi att du använder destillerat vatten.
- Att lägga hinken högre än tanken gör att sifongen kan "självpumpa" när vatten läggs till tanken.
- Överväg att använda en handduk under hinken och vattentanken förhindrar fläckar på golvet.

### ⚠ VARNING

- Om vattennivån fylls över Maximal nivå kan det leda till vattenläckage under träning.
- Börja fylla tanken genom att klämma i sifongen. Använd nivåmätarens dekal på sidan av tanken för att mäta volymen vatten i tanken.
- Efter att tanken har fyllts till önskad vattennivå öppnar du ventilen på toppen av sifongen för att överflöd av vatten ska kunna rinna ut.
- Se till att tankkontakten byts ut en gång påfyllning och vattenbehandling är avslutad.

## Avlägsna vatten från tanken (fig. E-4)

- Ta bort tankpluggen.
- Sätt in den styva slangens ände i tanken
- Sätt in syphonens flexibla slangänden i en stor hink.
- Töm tanken (ca 20% av vattnet kvarstår i tanken. Det är inte möjligt att tömma tanken helt utan att demontera tanken)
- Fyll på tanken enligt anvisningarna som beskrivs under avsnittet "Fyllning av tanken" i denna bruksanvisning.

### ⚠ OBS

- Om vattenreningsschemat upprätthålls är det inte nödvändigt att byta vatten inuti tanken. Ytterligare en vattenbehandlingstablett krävs endast när vattnet blir missfärgat.
- Exponering för solljus påverkar vattnet. Om roddaren flyttas bort från direkt solljus förlänger det tiden mellan vattenbehandlingar

## Vattenbehandling

Lägg till en vattenbehandlingstablett.

Lägg till en vattenbehandlings tablett när vattnet uppträder smutsigt eller grumligt över tid.

### ⚠ VARNING

- Använd endast de Tunturi-medlevererade vattenbehandlingstabletterna.

## Träning

Träningen måste vara lagom lätt, men hålla på länge. Aerobisk träning är till för att förbättra kroppens maximala syreupptag, vilket förbättrar uthålligheten och konditionen. Du ska svettas, men du ska inte bli andfådd under träningen. För att uppnå och behålla en grundkondition, träna åtminstone tre gånger i veckan, 30 minuter åt gången. Öka antalet träningspass för att förbättra din kondition. Det är bra att kombinera regelbunden träning med hälsosam kost. En person som har bestämt sig för att banta bör träna dagligen, 30 minuter eller mindre till en början och sedan öka den dagliga träningstiden till en timme. Börja din träning i låg hastighet och med lågt motstånd för att förhindra att hjärtkärlets utsätts för kraftig belastning. När konditionen förbättras, kan hastigheten och motståndet ökas gradvis. Din tränings effektivitet kan mätas genom att kontrollera din hjärtfrekvens och din puls.

## Övning Instruktioner

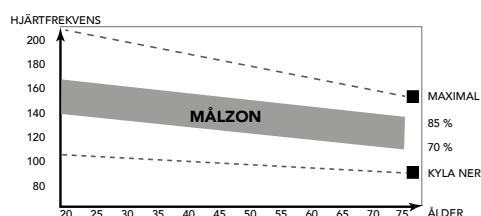
Användningen av ditt träningsredskap kommer att ge dig många fördelar; det kommer att förbättra din fysiska kondition, tona musklerna och tillsammans med en kalorikontrollerad diet hjälpa dig att gå ned i vikt.

### Uppvärmningsfasen

Denna fas får blodet att börja pumpa runt i kroppen och förbereder musklerna på aktivitet. Den minskar även risken för kramp och muskelskada. Det är tillrådligt att göra några stretchövningar som visas nedan. Varje stretchövning ska hållas i ungefär 30 sekunder. Tvinga eller tryck inte in musklerna i en stretchövning. Om det gör ont, SLUTA

### Träningsfasen

Detta är fasen där du jobbar. Efter regelbunden användning, kommer musklerna i dina ben att bli mer flexibla. I denna fas är det mycket viktigt att bibehålla ett jämnt tempo från början till slut. Ansträngningsnivån ska vara tillräcklig för att höja din puls till målzonen som visas i nedanstående figur



Denna fas bör pågå i minst 12 minuter, även om de flesta börjar med ungefär 15-20 minuter.

### Nedvarningsfasen

Under denna fas får ditt kardiovaskulära system och dina muskler varva ned.

Den är en upprepning av uppvärmningsövningen, t.ex. minska ditt tempo, fortsätt i ca 5 minuter. Stretchövningarna ska nu upprepas. Kom ihåg att inte tvinga eller trycka in musklerna i stretchövningen. När du blir mer vältränad, kan du träna längre och hårdare. Vi rekommenderar att träna minst tre gånger i veckan, och, om möjligt, fördela dina träningsstillfällen jämnt under hela veckan.

### Muskeltoning

För att tona musklerna när du använder träningsredskapet, måste du ställa in en ganska hög belastning. Detta belastar benmusklerna mer och kan innebära att du inte kan träna så länge som du vill. Om du även försöker förbättra din kondition, måste du ändra ditt träningsprogram. Du bör träna som vanligt under uppvärmnings- och nedvarningsfaserna, men mot slutet av träningsfasen kan du öka belastningen så att dina ben får jobba hårdare. Du måste minska hastigheten för att hålla pulsen i målzonen.

### Viktninskning

Den viktigaste faktorn här är hur mycket du anstränger dig. Ju hårdare och längre du tränar, desto fler kalorier bränner du. Detta är i princip detsamma som om du tränade för att förbättra din kondition, skillnaden är målet.

## Hjärtfrekvens

### Hjärtfrekvensmätning (pulsbälte)

#### ⚠ ANMÄRKNING

- Ett bröstband är inte standard med denna tränare. När du gillar att använda ett trådlöst bröstband måste du köpa detta som tillbehör.

Den mest exakta mätningen av hjärtfrekvensen uppnås med ett pulsband. Hjärtfrekvensen mäts av en hjärtfrekvensmottagare i kombination med ett pulsband med sändare.

Korrekt pulsmätning kräver att elektroderna på sändarbältet är en aning fuktiga och i ständig kontakt med skinnet. Om elektroderna är för torra eller för fuktiga kan pulsmätningen bli mindre exakt.

#### ⚠ VARNING

- Kontakta en läkare innan du använder ett pulsband om du har pacemaker.

#### ⚠ OBS.

- Om det finns flera enheter för hjärtfrekvensmätning bredvid arandra, kontrollera att avståndet mellan dem är minst 2 meter.
- Om det bara finns en hjärtfrekvensmottagare och flera hjärtfrekvenssändare, kontrollera att bara en person med sändare är inom mottagningsområdet.

#### ⚠ ANMÄRKNING

- Bär alltid pulsbandet under dina kläder, i direktkontakt med huden. Bär inte pulsbandet utanpå kläderna. Om du bär pulsbandet utanpå kläderna kommer det inte att bli någon signal.
- Om du har ställt in en begränsning av hjärtfrekvensen för din träning, kommer ett larm att ljuda när den överskrids.
- Sändaren sänder hjärtfrekvensen till panelen upp till ett avstånd på 1,5 meter. Om elektroderna inte är fuktiga, kommer inte hjärtfrekvensen att visas på displayen.

- Vissa klädfibrer (t.ex. polyester eller polyamid) skapar statisk elektricitet som kan förhindra en korrekt mätning av hjärtfrekvensen.
- Mobiltelefoner, tv-apparater och andra elektriska apparater skapar ett elektromagnetiskt fält som kan förhindra en korrekt mätning av hjärtfrekvensen.

### Maximal hjärtfrekvens (under träning)

Den maximala hjärtfrekvensen är den högsta hjärtfrekvens en person säkert kan få vid träning. Följande formel används för att beräkna den genomsnittliga maximala hjärtfrekvensen: 220 - ÅLDER. Den maximala hjärtfrekvensen varierar från person till person.

#### ⚠ ARNING

- Kontrollera att du inte överskrider din maximala hjärtfrekvensen under din träning. Kontakta en läkare om du tillhör en riskgrupp.

### Nybörjarnivå

#### 50-60% av den maximala hjärtfrekvensen

Passar nybörjare, viktväktare, konvalescenter och personer som inte har tränat på länge. Träna åtminstone tre gånger i veckan, 30 minuter åt gången.

### Avanceradnivå

#### 60-70% av den maximala hjärtfrekvensen

Passar personer som vill förbättra och underhålla konditionen. Träna åtminstone tre gånger i veckan, 30 minuter åt gången.

### Expert

#### 70-80% av den maximala hjärtfrekvensen

Passar de mest vältränade, som är vana vid långa och tunga träningspass.

## Användning

### Justera stödfötterna (fig. E-1)

Utrustningen är utrustad med 2 stödfötter. Om utrustningen inte är stabil, kan stödfötterna justeras..

- Vrid stödfötterna för att placera utrustningen i en stabil position.
- Vrid åt låsmutterna för att låsa stödfötterna.

#### ⚠ ANMÄRKNING

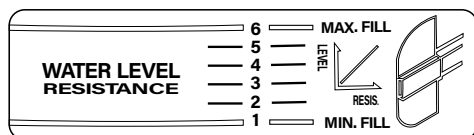
- Maskinen är i maximalt stabilt läge när alla stödfötter vrids helt inåt. örja därför att placera maskinen helt plant genom att vrida alla stödfötter helt inåt, innan du vrider ut de nödvändiga stödfötterna för att stabilisera maskinen.

### Reglering av spänning

Justera vattennivån för att öka eller sänka motståndet.

- Mer vatten ger ökar motståndet,
- mindre vatten minskar motståndet.

Graderingen på vattentanken hjälper dig att hitta och ställa in ett lämpligt motstånd.



Max. fill	6	±	12.8 ltr
	5	±	11.9 ltr
	4	±	11.1 ltr
	3	±	10.5 ltr
	2	±	9.5 ltr
Min. fill	1	±	8.5 ltr

### Justera bungspänningen (fig. E-2)

Om du under din träning känner, att dragsnodden inte dras tillbaka mjukt eller tillräckligt snabbt, kan du justera bungyn enligt följande:

- Ställ roddmaskinen i upprätt läge.
- Lokalisera bungyn under vattentankens ram.
- Omplacera bungyn från A till B (om bungyn redan är i läge B, ställ in den i C-läget).
- Ställ träningsredskapet tillbaka i träningsläge och prova, om förbättringen är tillräcklig.

### Hur man rör

	<p><b>Hämta</b></p> <p>Böj framåt med raka armar och rak rygg..</p>
	<p><b>Uppstart</b></p> <p>Tryck ifrån med benen medan armarna fortsätter vara raka</p>
	<p><b>Avslut</b></p> <p>Dra bakåt med armarna och benen och gunga bakåt med höfterna..</p>
	<p><b>Retur</b></p> <p>Överkroppen fälls framåt över höfterna i en rörelse framåt.</p>
	<p><b>Hämta</b></p> <p>Återvänd till startpositionen och börja om med rörelsen</p>

### Hämta - Uppstart

Påbörja draget i främre position och tryck kraftigt bakåt med benen medan armarna och ryggen behålls raka.

### Avslut

Börja att dra armarna bakåt när de passerat knäna och fortsatt med draget bakåt över höfterna.

### Retur

Återvänd till startpositionen och återupprepa rörelsen

### ⚠ VARNING

- Konsultera din läkare innan du inleder ditt träningsprogram.
- Om du känner dig illamående, får svindel eller uppvisar andra onormala symtom under träningen, skall du omedelbart avbryta träningen och vända dig till din läkare.

### Panel (fig. F-1)

### ⚠ OBS

- Skydda panelen från direkt solljus.
- Torka av panelens yta när den är täckt av svett droppar.
- Luta dig inte mot panelen.
- Vidrör endast displayen med din fingertopp. Var noga med att inte dina naglar eller vassa föremål vidrör displayen.

### 🔔 ANMÄRKNING

- Panelen övergår till viloläge när utrustningen inte har använts på 4 minuter.

### Förklaring av displayfunktioner

#### Tid

- Utan att ställa in målvärde, räknas tiden uppåt.
- När målvärde ställs in, räknas tiden neråt från ditt målvärde till 0, då larmsignal ljuder eller blinkar. (Under nedräkning visas återstående tid).
- Om inte någon larmsignal under träningspasset skickas till manöverpanelen inom 4 sek, STOPPAS tiden.
- Område: 0:00~99:59 /± 1:00

#### Tid/500 m

Visar tiden för att springa ett träningspass på 500 m, baserat på aktuell roddintensitet.

A+tid/500 m: När träningen stoppas, visas ett genomsnittsvärde för tid/500 m för det senaste träningspasset.

#### Avstånd

- Om man inte ställer in ett målvärde, räknas avståndet uppåt.
- När målvärde ställs in, räknas avståndet neråt från ditt målvärde till 0, då larmsignal ljuder eller blinkar. (Under nedräkning visas återstående avstånd)
- Område: 0~99900 /± 100 (m)

#### Kalorier

- Om man inte ställer in ett målvärde, räknas kalorierna uppåt.
- När målvärde ställs in, räknas kalorierna neråt från ditt målvärde till 0, då larmsignal ljuder eller blinkar. (Under nedräkning visas återstående kalorier)
- Område: 0~9990

### 🔔 OBSERVERA

- Dessa data är en grov vägledning för jämförelse av olika träningspass och kan inte användas i medicinsk behandling.

#### Puls

- Aktuell puls visas efter 6 sek efter att manöverpanelen känt av den.
- Pulsvärdet blinkar, när hjärtlagen når målvärdet (målvärde = förinställt värde +5)
- A+puls: När träningen stoppas, visas ett genomsnittsvärde för puls under det senaste träningspasset.

## Årtag

- Om man inte ställer in ett målvärde, räknas årtagen uppåt.
- När målvärde ställs in, räknas årtagen neråt från ditt målvärde till 0, då larmsignal ljuder eller blinkar. (Under nedräkning visas återstående avstånd).
- Område 0 ~9990 /± 10 (st)

## Summa årtag

Summa årtag visas för alla träningspass.

Detta värde kan inte återställas, om inte man byter batterier.

## SPM

- SPM = årtag per min och visar ett genomsnittantal årtag per min under träningspasset.
- I "Träningsläge" kan detta värde ställas in som målvärde inom området 20~80.
- A+SPM: När träningspasset stoppas, visas ett genomsnittsvärde för SPM under det senaste träningspasset.

## Standby-läge

I standby-läge visar manöverpanelen:

- Aktuell tid: (TT:MM)
- Aktuellt datum: (ÅÅÅÅ/MM/DD)
- Omgivande temperatur (°Celsius)

För att ställa in rätt tid/datum:

- Tryck på RESET och håll nere i 3 sek för att komma till programmeringsläget och införa tid/datum.
- Använd UPP/NER för att justera parametrar för tid/datum och bekräfta med ENTER.

## Larmfunktioner

När du ställt in tid/datum, kan du även ställa in larmfunktionen. (Larm kan endast ljuda i standby-läge).

- Använd UPP/NER för att ställa in larmet i läge PÅ eller AV och bekräfta med ENTER.
- Om larmet är PÅ (ringklocka visas), blinkar timsiffrorna och du kan ställa in önskad larmtid via UPP/NER samt bekräfta med ENTER.
- Upprepa för minuter och bekräfta med ENTER.
- Ditt larm är inställt och aktiveras (endast, om manöverpanelen är i standby-läge).

## Förklaring till manöverknappar

### Upp

- Ställer in ditt val.
- Ökar aktuellt värde.

### Ner

- Ställer in ditt val.
- Minskar aktuellt värde.

### ENTER

- Bekräftar inställningar (i programmeringsläge).
- Scannar parametrar (i träningsläge)

### START/STOPP

- Startar träningspasset (i programmeringsläge)
- Stoppar (pausar) träningspasset. (i träningsläge)
- Återupptar träning (i STOPP-läge)

### RESET

- Tryck på RESET en gång i inställningsläge för att återställa aktuella funktionsparametrar.
- Tryck på RESET och håll nere i 2 sek för att återställa alla funktionsparametrar och återstarta manöverpanelen.

## Återställning

- Återställningsknappen är endast aktiv, om pulsslag föreligger.
- TID visas "0-60" (sekunder) och räknar ner till 0.
- Datorn visar F1 till F6 efter nedräkning för att testa hjärtslagens återställningsstatus. Användaren kan hitta hjärtslagens återställningsnivå baserad på tabellen nedan.
- Tryck på ÅTERSTÄLLNING igen för att starta om.

F1	Enastående
F2	Utmärkt
F3	Bra
F4	Hyfsad
F5	Under genomsnittet
F6	Dålig

## Användning

### Elen kopplad

- Tryck på valfri knapp för att starta manöverpanelen efter stillestånd.
- Starta träningspasset för att väcka upp manöverpanelen.

### Elen fränkopplad

Manöverpanelen ställs in automatiskt i STANDBY-läge, om inte någon signal getts inom 4 minuter. (Aktiva träningsdata kommer att förloras)

## Program

### Manuellt läge

- Välj "Manuellt" och bekräfta med ENTER.
- Ställ in ditt träningsmål för "tid, avstånd, årtag, kalorier och pulsslag" via UPP/NER och bekräfta med ENTER.
- Tryck på START/STOPP för att starta din träningsinställning.

### 🔔 OBSERVERA

- Endast ett målvärde kan ställas in. Ej inställda målvärden ska bekräftas som "0" i målvärde.
- Pulsvärdet stoppar inte träningen, utan fungerar som varning.
- När målvärde ställts in, stoppas träningen, när målet uppnåtts.
- Om inget målvärde ställts in, fortsätter träningen tills användaren avslutar sin träning.

### Tävlingsläge

- Tryck på MODE för att välja "Tävlingsläge" och bekräfta med ENTER.
  - L9 visas, varvid UPP/NER ställer in önskad nivå för "Tävlingsläge", vilket bekräftas med ENTER.
- Visad tid/500 är datortiden som du ska slå.

Läge	Tid/500
L1	8:00 min
L2	7:30 min
L3	7:00 min
L4	6:30 min
L5	6:00 min
L6	5:30 min
L7	5:00 min
L8	4:30 min
L9	4:00 min
L10	3:30 min
L11	3:00 min
L12	2:30 min
L13	2:00 min



L14	1:30 min
L15	1:00 min

- Ställ in önskat träningsavstånd ( $\pm$  500 m) och bekräfta med ENTER.
- Tryck på START/STOPP för att starta en 3 sek nedräkning före din träningsstart.

### OBSERVERA

- Träningspasset avslutas, när datorn eller du själv (användaren) har uppnått slutvärdet.
- Manöverpanelen visar "Användaren vinner" eller "datorn vinner", när du eller datorn uppnår slutvärdet först och träningen stoppas.

## Rengöring och underhåll

Utrustningen kräver inte något särskilt underhåll. Utrustningen kräver inte omkalibrering när den monteras, används eller servas i enlighet med instruktionerna.

### VARNING

- Använd inte lösningsmedel för att rengöra utrustningen.
- Rengör utrustningen med en mjuk och absorberande trasa efter varje användning.
- Kontrollera regelbundet att alla skruvar och muttrar är åtdragna.
- Smörj vid behov.

## Vattnet ändrar färg eller blir grumligt

### Möjlig orsak:

Roddmaskinen står i direkt solljus eller är inte vattenpåfylld.

### Lösning:

- Byt placering för roddmaskinen för att undvika direkt solljus.
- Tillför vatten eller byt vattentank enligt instruktioner i denna handboks vattenpåfyllningsavsnitt.

## Byta ut batterier (fig. F-2)

Panelen är utrustad med 2 AA-batterier på panelens baksida.

- Avlägsna luckan.
- Avlägsna de gamla batterierna.
- Sätt i de nya batterierna. Försäkra dig om att batterierna är rätt placerade mot (+) och (-) polerna.
- Montera luckan.

## Fel och funktionsstörningar

Trots ständig kvalitetskontroller, kan fel och funktionsstörningar inträffa som orsakas av enskilda delar. I de flesta fallen räcker det med att byta ut den felaktiga delen.

- Om utrustningen inte fungerar korrekt, kontakta omedelbart återförsäljaren.
- Lämna utrustningens modellnummer och serienummer till återförsäljaren. Ange problemets art, förhållanden vid användning och inköpsdatum.

### Felsökning:

- Om LCD-displayen lyser svagt betyder det att batteriet måste bytas ut.
- Om det inte kommer någon signal när du trampar måste du kontrollera om kabeln sitter i riktigt.

### OBS!

- Om träningen stoppas i 4 minuter slocknar huvudskärmen.
- Om datorn uppvisar onormala värden, sätt i batteriet på nytt och försök igen.

## Transport och lagring

### VARNING

- Innan transport och förvaring, avlägsna adaptorn.
- Var två om att bära och förflytta utrustningen.
- Stå framför utrustningen på vardera sidan och ta ett fast grepp i handtagen. Lyft utrustningens framsida så att baksidan lyfts på hjulen. Förflytta utrustningen och sätt ner den försiktigt. Placera utrustningen på en skyddande grund för att förhindra att golvet skadas.
- Förflytta utrustningen försiktigt över ojämna ytor. Förflytta inte utrustningen till övervåningen med hjulen, utan bär utrustningen med handtagen.
- Förvara utrustningen på en torr plats med så liten temperaturvariation som möjligt.

## Ytterligare information

### Bortskaffande av förpackning

Riktlinjer från myndigheter uppmanar att vi minskar mängden avfall som placeras i deponier. Vi ber dig därför att bortskaffa allt förpackningsavfall på ett ansvarsfullt sätt på allmänna återvinningscentraler.

### Bortskaffande av uttjänt redskap

Vi på Tunturi hoppas att du får många års trevlig användning av ditt träningsredskap. Men det kommer en tid när ditt träningsredskap är uttjänt. Enligt den europeiska WEEE-lagstiftningen, ansvarar du för korrekt bortskaffande av ditt träningsredskap på en allmän återvinningsanläggning.

## Teknisk information

Parameter	Måttenhet	Värde
Telemetrisk hjärt frekvensmottagare.	hand-kontakt 5.3~ 5.4 Khz. Bluetooth (BLE) ANT+	<input checked="" type="checkbox"/> <input checked="" type="checkbox"/> <input checked="" type="checkbox"/> <input checked="" type="checkbox"/>
Längd	cm inch	211,0 83,1
Bredd	cm inch	56,0 22,0
Höjd	cm inch	107,0 42,1
Vikt	kg lbs	39,5 87,1
Max användarvikt	kg lbs	150 330
Batteristorlek	2x	AA



## Garanti

### Tunturis ágargarantitunt

#### Garantivillkor

Konsumenten har rätt att tillämpa de nationellt lagstadgade rättigheterna gällande konsumentvaror och denna garanti begränsar inte dessa rättigheter.

Ägargarantin är giltig endast om Tunturis

träningsredskap används i de miljöer som tillåts enligt Tunturi. Vilka miljöer som är tillåtna står i träningsredskapets bruksanvisning.

#### Garantivillkor

Garantivillkoren börjar att gälla från inköpsdatumet. Garantivillkoren kan variera mellan olika länder. Kontakta en lokal återförsäljare om garantivillkoren.

#### Garantins omfattning

Oavsett omständigheter, ansvarar inte Tunturi New Fitness BV eller Tunturis återförsäljare för uppkomna personskador som påverkar köparen, och som innebär inkomstförlust eller andra ekonomiska följdverkningar.

#### Gegränsningar i garantin

Garantin gäller för arbets- och materialfel, förutsatt att redskapet är i originalmonterat skick. Garantin gäller endast fel som uppstår vid normalt bruk och då den använts enligt Tunturis instruktioner gällande montering, skötsel och användning.

Tunturi New Fitness BV och Tunturis återförsäljare ansvarar ej för fel som uppkommer utanför deras kontroll.

Garantin gäller endast redskapets ursprungliga ägare och är gällande endast i de länder där det finns en godkänd Tunturi New Fitness BV återförsäljare.

Garantin gäller ej för redskap eller delar som har ändrats utan Tunturi New Fitness BV:s godkännande. Garantin gäller ej för fel som beror på normalt slitage, felaktig användning, användning i förhållanden som inte är avsett för redskapet, korrosion eller lastnings- och transportskador.

Garantin täcker inte ljud som uppstår under användning såvida dessa inte väsentligt hindrar utrustningens användning eller har orsakas av ett fel i utrustningen.

Garantin gäller inte för underhållsarbete, som rengöring, smörjning eller normal kontroll av komponenterna och inte heller för monteringsarbete som kunden själv kan göra och som inte kräver att redskapet plockas isär/sätts ihop. Det gäller till exempel byte av mätare, trampor eller andra motsvarande enkla delar.

Garantireparationer utförda av andra än en godkänd Tunturi-representant, ersätts inte. Ifall instruktionerna i manualen inte följs upphävs produktens garanti.

## Försäkran från tillverkaren

Tunturi New Fitness BV försäkrar att produkten uppfyller följande standarder och direktiv:

EN 957 (HC), 2014/30/EU. Produkten är därför CE-märkt.

07-2020

Tunturi New Fitness BV  
Purmerweg 1  
1311 XE Almere  
Nederländerna

## Friskrivning

© 2020 Tunturi New Fitness BV

Alla rättigheter förbehållna.

- Produkten och handboken kan komma att ändras.
- Specifikationer kan ändras utan förvarning.
- På vår webbplats finns den senaste bruksanvisningen.

**Suomeksi**

Tämä suomennettu käyttöohje on käännetty Englannin kielestä. Pidätämme oikeudet mahdollisiin käännösvirheisiin. Käännös tehty virallisen, englanninkielisen version pohjalta.

**Sisältö**

<b>Soutulaite .....</b>	<b>66</b>
<b>Turvallisuusvaroitukset .....</b>	<b>66</b>
<b>Kokoamisohjeet.....</b>	<b>66</b>
Kuvaus (kuva A).....	66
Pakkauksen sisältö (kuva. B & C).....	66
Kokoonpano (kuva. D) .....	67
<b>Säiliön vesitason säätäminen .....</b>	<b>67</b>
Vesisäiliön täyttö (Fig. E-3).....	67
Vedenkäsitely.....	67
<b>Harjoitukset.....</b>	<b>67</b>
Ohjeita harjoittelua varten.....	67
Syke .....	68
<b>Käyttö.....</b>	<b>68</b>
Tukijalkojen säätäminen (Kuva E-1).....	68
Vastuksen säätö .....	68
Vesi vaihtaa väriään tai muuttuu sameaksi.....	69
Soutaminen.....	69
<b>Ohjauspaneeli (kuva. F-1) .....</b>	<b>69</b>
Näytön toimintojen selitykset.....	69
Painikkeiden selitykset.....	70
TToiminto.....	70
Ohjelmat.....	70
<b>Puhdistus ja huolto .....</b>	<b>71</b>
Vesi vaihtaa väriään tai muuttuu sameaksi.....	71
Paristojen vaihto kuva F-2).....	71
<b>Viat ja häiriöt .....</b>	<b>71</b>
<b>Kuljetus ja säilytys .....</b>	<b>71</b>
Lisätietoa laitteen omistajalle .....	71
<b>Tekniset tiedot.....</b>	<b>72</b>
<b>Takuu .....</b>	<b>72</b>
<b>Valmistajan vakuutus .....</b>	<b>72</b>
<b>Vastuuvapauslauseke.....</b>	<b>72</b>

**Soutulaite**

Tervetuloa Tunturi Fitness -maailmaan!

Kiitämme sinua tämän Tunturi-laitteen ostosta. Tunturi tarjoaa laajan valikoiman ammattimaisia kuntoilulaitteita, mukaan lukien crosstrainerit, juoksumatot, kuntopyörät ja soutulaitteet.

Tunturi-laite sopii koko perheelle kuntotasosta riippumatta. Katso lisätiedot verkkosivuiltamme [www.tunturi.com](http://www.tunturi.com)

**Tärkeitä turvallisuusohjeita**

Tämä opas on olennainen osa kuntolaitettasi. Perehdy ohjeisiin huolellisesti ennen kuin asennat, käytät tai huollat kuntolaitettasi. Sinun tulee ehdottomasti säilyttää tämä opas, sillä jatkossa se opastaa Sinua niin kuntolaitteesi tehokkaaseen käyttöön kuin huoltoonkin. Muista aina noudattaa tämän oppaan ohjeita.

**Turvallisuusvaroitukset****VAROITUS**

- Lue turvallisuusvaroitukset ja -ohjeet. Turvallisuusvaroitusten ja -ohjeiden jättäminen noudattamatta voi aiheuttaa henkilön loukkaantumisen tai laitevaurion. Säilytä turvallisuusvaroitukset ja -ohjeet myöhempää käyttöä varten.

**VAROITUS**

- Sykkeenvalvontajärjestelmät saattavat olla epätarkkoja. Liiallinen harjoittelu saattaa aiheuttaa vakavia vammoja tai kuoleman. Jos tunnet olosi heikoksi, lopeta harjoittelu heti.

- Laite on sopiva vain kotikäyttöön. Laite ei ole sopiva kaupalliseen käyttöön.
- Enimmäiskäyttö on rajoitettu 2 tuntiin päivässä
- Tämän laitteen käyttö lasten tai fyysisesti, aistillisesti, henkisesti, tai liikunnallisesti rajoittuneiden, tai kokemukseltaan ja tiedoiltaan puutteellisten henkilöiden toimesta voi aiheuttaa vaaratilanteita. Heidän turvallisuudestaan vastuussa olevien henkilöiden on annettava selkeät ja tarkat ohjeet laitteen käytöstä ja valvottava laitteen käyttöä.
- Ennen harjoituksen aloittamista ota yhteys lääkäriin terveystarkastusta varten.
- Jos sinulla on pahoinvointia, huimausta, tai muita epätavallisia oireita, lopeta välittömästi harjoitus ja ota yhteys lääkäriin.
- Vältä lihaskipuja ja venähdyksiä aloittamalla jokainen harjoitus lämmittelyjaksolla ja pääätä jokainen harjoitus jäähdyttelyjaksolla. Muista venytellä harjoittelun lopuksi.
- Laite on sopiva vain sisäkäyttöön. Laite ei ole sopiva ulkokäyttöön.
- Käytä laitetta riittävällä tuuletuksella varustetuissa tiloissa. Älä käytä laitetta vetoisissa tiloissa välttääksesi kylmettymisen.
- Käytä laitetta vain ympäristölämpötilassa 10 °C - 35 °C. Säilytä laitetta vain ympäristölämpötilassa 5 °C - 45 °C.
- Älä käytä tai säilytä laitetta kosteissa tiloissa. Ilmankosteus ei saa koskaan olla yli 80 %.
- Käytä laitetta vain sen aiottuun tarkoitukseen. Älä käytä laitetta muihin, kuin tässä käyttöoppaassa esitettyihin tarkoituksiin.
- Älä käytä laitetta, jos sen jokin osa on vaurioitunut tai viallinen. Jos osa on vaurioitunut tai viallinen, ota yhteys jälleenmyyjään.
- Pidä kätesi, jalkasi ja kehon muut osat pois liikkuvista osista.
- Pidä hiuksesi pois liikkuvista osista.
- Käytä asianmukaista vaatetusta ja kenkiä.
- Pidä vaatteet, korut ja muut esineet pois liikkuvista osista.
- Varmista, että vain yksi henkilö kerrallaan käyttää laitetta. Yli 150 kg (330 lbs) ainava henkilö ei saa käyttää laitetta.
- Älä avaa laitetta ilman yhteydenottoa jälleenmyyjäsi.

**Kokoamisohjeet****Kuvaus (kuva A)**

Soutulaitteesi on paikallaan pysyvä kuntoilulaite, jota käytetään simuloimaan soutua ilman liiallista rasisusta niveliin.

**Pakkauksen sisältö (kuva. B & C)**

- Pakkaus sisältää kuvassa B näytetyt osat.
- Pakkaus sisältää kuvassa C näytetyt kiinnittimet. Katso "Kuvaus"-osiota.

**ILMOITUS**

- Jos osa puuttuu, ota yhteys jälleenmyyjään.

## Kokoonpano (kuva. D)

### ⚠ VAROITUS

- Kokoonpane laite esitetyssä järjestyksessä.
- Vähintään kahden henkilön on kannettava ja siirrettävä laitetta.

### ⚠ HUOMAUTUS

- Sijoita laite kovalle, tasaiselle alustalle.
- Asettakaa laite suojalustalle lattiapinnan vaurioiden estämiseksi.
- Varaa vähintään 100 cm tilaa laitteen ympärille.

- Katso piirroksesta laitteen oikea asennus.

## Säiliön vesitason säätäminen

### Vesisäiliön täyttö (Fig. E-3)

- Irrota kuminen korkki säiliön yläosasta.
- Aseta suuri vesiämpäri soutuaitteen viereen. Aseta sifonin jäykkä pää ämpäriin ja joustava pää säiliöön kuten kuvassa. Varmista, että sifonin yläosan pieni ilmaventtiili on suljettu ennen täyttöä

### 🚫 ILMOITUS

- Säiliöön mahtuu 13 litraa vettä.
- Jos vesi on huonolaatuista, suosittelemme tislattua veden käyttöä.
- Jos ämpäri on säiliötä korkeammalla, sifoni pumpppaa veden tankkiin itsenäisesti. Consider using a towel under the bucket and water tank preventing stains on the floor.
- Vältäaksesi lattian tahraantumisen voit käyttää pyyhettä ämpäriin ja säiliön alla.

### ⚠ VAROITUS

- Jos vastussäädintä ei ole asetettu MAX-asentoon ennen säiliön täyttöä, täyttöaste voi olla epätarkka ja vuodot ovat mahdollisia.

- Aloita säiliön täyttö puristamalla sifonia. Arvioi säiliön sivussa olevalla tilavuusmittarilla nykyinen veden määrä.
- Kun vedenpinta on halutulla tasolla, avaa venttiili sifonin päästä, jotta ylimääräinen vesi valuu pois.
- Sulje säiliö korkilla, kun säiliö on täytetty.

### vVesisäiliön tyhjennys (Kuva E-4)

- Irrota säiliön korkki.
- Aseta sifonin jäykkä pää säiliöön.
- Aseta sifonin joustava pää ämpäriin.
- Tyhjennä säiliö. (n. 40 % vedestä jää säiliöön. Säiliön tyhjennys täysin onnistuu vain, jos säiliö puretaan.)
- Täytä säiliö uudelleen seuraamalla Vesisäiliön täyttö -ohjeita.

### 🚫 ILMOITUS

- Säiliössä olevaa vettä ei tarvitse vaihtaa, jos vedenkäsittelyohjeita on noudatettu. Ylimääräiselle vedenkäsittelytabletille on tarvetta, mikäli vesi näyttää värjäytyneeltä.
- Auringonvalolle altistuminen vaikuttaa veteen. Kun suojaat soutuaitteen suoralta auringonvalolta, vedenkäsittelyä ei tarvitse tehdä niin usein.

## Vedenkäsittely

Lisää yksi vedenkäsittelytabletti .

Lisää vedenkäsittelytabletti aina kun vesi näyttää likaiselta tai samealta.

### ⚠ VAROITUS

- Käytä vain Tunturin toimittamia vedenkäsittelytabletteja.

## Harjoitukset

Harjoituksen on oltava sopivan kevyt, mutta pitkäkestoinen. Aerobic-harjoitus perustuu kehon maksimi hapenottokyvyn parantamiseen, mikä puolestaan parantaa kestävyyttä ja kuntotasoa. Harjoituksen aikana sinun tulisi hikoilla, mutta sinun ei tulisi hengästyä. Harjoittele vähintään kolme kertaa viikossa 30 minuuttia peruskuntotason saavuttamiseksi ja ylläpitämiseksi. Paranna kuntotasoasi lisäämällä harjoituskertojen määrää. On hyödyllistä yhdistää säännöllinen harjoitus terveelliseen dieettiin. Dieettiin sitoutuneen henkilön tulisi harjoitella päivittäin, ensi alkuun korkeintaan 30 minuuttia ja vähitellen lisäten päivittäinen harjoitus aika yhteen tuntiin. Aloita harjoituksesi hitaalla nopeudella ja pienellä vastuksella estääksesi liiallisen rasituksen sydän-verisuonijärjestelmään. Nopeutta ja vastusta voidaan vähitellen lisätä kuntotason parantuessa. Harjoituksesi tehokkuus voidaan mitata seuraamalla sydämesi lyöntinopeutta ja pulssisi nopeutta. Lisää nopeutta ja vastusta vähitellen oman kuntosi mukaan. Pidä pää pystyssä ja kaula suorana välttääksesi stressiä kaulassa, hartioissa ja selässä. Pidä selkäsi suorana. Varmista, että jalkasi ovat keskellä polkimia ja että lantio, polvet, nilkat ja varpaat ovat suoraan eteenpäin. Pidä painosi alaruumiin yläpuolella, huolimatta siitä, nojaatko eteenpäin vai seisotko suorana. Lopeta harjoitusjaksosi vähentämällä nopeutta ja vastusta vähitellen. Muista venytellä harjoittelun lopuksi.

### Ohjeita harjoittelua varten

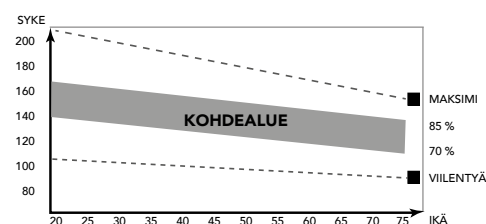
Kuntolaitteen käyttö tarjoaa monia etuja: se parantaa fyysistä kuntoa, kiinteyttä lihaksia ja hallittuun ruokavalion yhdistettynä se auttaa myös pudottamaan painoa.

### Lämmittelyvaihe

Tämän vaiheen tarkoituksena on saada veri virtaamaan nopeammin ympäri kehoa ja panna lihakset tekemään työtä. Lämmittely vähentää myös kramppeja ja lihasvammojen riskiä. Suosittelemme, että teet muutaman venyttelyharjoituksen alla olevan kuvan mukaisesti. Jokaisen venytyksen tulisi kestää noin 30 sekuntia. Älä tee venytyksiä väkisin tai nykäisten - jos tunnet kipua, LOPETA.

### Harjoitteluvaihe

Tämä on se vaihe, jossa ponnistelet. Säännöllisen harjoittelun tuloksena jalkojesi lihakset tulevat joustavammiksi. Tässä vaiheessa on hyvin tärkeää ylläpitää tasaista nopeutta koko ajan. Rasituksen tulisi olla riittävän suuri, jotta sykkeesi nousee tavoitealueelle alla olevan kaavion mukaisesti



Tämän vaiheen tulisi kestää vähintään 12 minuuttia, mutta useimmilla aloittelijoilla se on noin 15-20 minuuttia.

### Jäähdyttelyvaihe

Tämän vaiheen tarkoituksena on antaa verenkiertojärjestelmäsi ja lihaksiesi palautua. Jäähdyttelyssä toistetaan lämmittelyvaiheen harjoitukset vähentämällä ensin nopeutta ja jatkamalla tällä nopeudella noin 5 minuuttia. Toista sitten venyttelyharjoitukset pitäen mielessä, että venytyksiä ei saa tehdä väkisin tai nykäisten. Kun kuntosi nousee, voit tarvita pidempiä ja raskaampia harjoituksia. On suositeltavaa treenata vähintään kolme kertaa viikossa, ja harjoittelut olisi hyvä jakaa tasaisesti viikon varrelle.

### Lihasten kiinteytys

Jos tavoitteesi on lihasten kiinteytys, sinun pitää asettaa vastus suureksi. Silloin jalkojesi lihakset rasittuvat enemmän, etkä ehkä pysty treenaamaan niin pitkään kuin haluaisit. Jos tavoitteesi on myös kunnon kohentaminen, sinun pitää muuttaa harjoitteluohjelmaasi. Harjoittele lämmittely- ja jäähdyttelyvaiheissa normaalisti, mutta lisää vastusta harjoitteluvaiheessa, jotta jalkasi joutuvat tekemään enemmän työtä. Vähennä tarvittaessa nopeutta, jotta sykkeesi pysyy tavoitealueella.

### Painon pudotus

Ratkaisevaa on se, miten rasittavaa harjoittelu on. Mitä enemmän ja mitä pidempään harjoitteleet, sitä enemmän poltat kaloreita. Vaikutus on sama kuin jos harjoittelisit kunnon kohentamiseksi, vaikka tavoite on nyt toinen.

## Syke

### Sykkeen mittaus (sykevyö)

#### ILMOITUS

- Rinnahihna ei ole vakiona tämän kouluttajan kanssa. Kun haluat käyttää langatonta rintahihnaa, sinun on ostettava tämä lisävarusteena.

Tarkin sydämen lyöntinopeus saadaan sykevyöllä. Sykemittaus tapahtuu käyttöliittymän sykevastaanottimen ja sykevyön lähettimen avulla. Tarkka sydänmittaus edellyttää lähetinvyön elektrodien olevan hieman kosteita ja jatkuvassa kosketuksessa ihoon. Jos elektrodit ovat liian kuivia tai liian kosteita, sykkeen mittaus voi olla epätarkempi.

#### VAROITUS

- Jos sinulla on sydäntahdistin, ota yhteys lääkäriin ennen sykevyön käyttöä.

#### HUOMAUTUS

- Jos useita sykemittauslaitteita on vierekkäin, varmista, että niiden keskinäinen etäisyys on vähintään 2 metriä.
- Varmistu, että laitteen sykevastaanottimen ja sykevyön lähettimen kantomatkan sisällä ei ole muita lähettämiä, jotka voisivat aiheuttaa häiriöitä mittauksessa.

#### ILMOITUS

- Pidä aina sykevyötä vaatteittesi alla suorassa kosketuksessa ihoosi. Älä pidä sykevyötä vaatteittesi päällä. Jos pidät sykevyötä vaatteittesi päällä, signaalia ei ole.
- Jos asetat rajan sydämen lyöntinopeudelle, rajan ylittyessä kuuluu äänihälytys.
- Lähetin lähettää sykkeen korkeintaan 1,5 metrin etäisyydellä olevaan ohjauspaneeliin. Jos elektrodit eivät ole kosteita, sydämen lyöntinopeus ei tule näytölle.
- Jotkin vaatteiden kuidut (esim. polyesteri, polyamidi) synnyttävät staattista sähköä, mikä voi estää tarkan sydämen lyöntinopeuden mittauksen.

- Matkapuhelimet, televisiot ja muut sähkölaitteet luovat sähkömagneettisen kentän, joka voi estää tarkan sydämen lyöntinopeuden mittauksen.

### Suurin sallittu sydämen lyöntinopeus (harjoituksen aikana)

Suurin sallittu sydämen lyöntinopeus on suurin lyöntinopeus, jonka henkilö voi turvallisesti saavuttaa harjoituksen rasituksella. Seuraavaa kaavaa käytetään laskemaan keskimääräinen suurin sallittu sydämen lyöntinopeus: 220 - IKÄ. Suurin sallittu sydämen lyöntinopeus vaihtelee henkilöstä toiseen.

#### VAROITUS

- Varmista, ettet ylitä sydämesi suurinta sallittua lyöntinopeutta harjoituksen aikana. Jos kuulut riskiryhmään, ota yhteys lääkäriin.

### Aloittelija

#### 50-60% suurimmasta sallitusta sydämen lyöntinopeudesta

Sopiva aloittelijoille, painonvartijoille, toipilaille, ja henkilöille, jotka eivät ole harjoitelleet pitkään aikaan. Harjoittele vähintään kolme kertaa viikossa, 30 minuuttia kerrallaan.

### Edistynyt

#### 60-70% suurimmasta allitusta sydämen lyöntinopeudesta

Sopiva henkilöille, jotka haluavat parantaa ja ylläpitää kuntoaan. Harjoittele vähintään kolme kertaa viikossa, 30 minuuttia kerrallaan..

### Ekspertti

#### 70-80 % suurimmasta sallitusta sydämen lyöntinopeudesta

Sopiva kunnoltaan erittäin hyvälle henkilöille, jotka ovat tottuneet pitkäkestoisin harjoituksiin.

## Käyttö

### Tukijalkojen säätäminen (Kuva E-1)

Laitte on varustettu 2 tukijalalla. Tukijalkoja voidaan säätää, jos laite ei ole vakaa.

- Käännä tukijalkoja tarpeen mukaan, jotta laite on vakaasti lattialla.
- Lukitse tukijalat kiristämällä lukkomutterit.

#### ILMOITUS

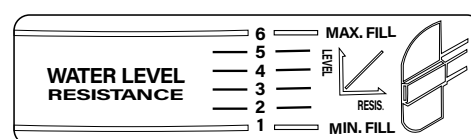
- Laitte on vakain, kun kaikki tukijalat on kierretty täysin sisään. Tämän vuoksi, aloita laitteen säätäminen vaakasuoraan kiertämällä kaikki tukijalat ensin täysin sisään, ennen kuin kierrät tarvittavia jalkoja ulospäin laitteen saamiseksi vakaaksi.

### Vastuksen säätö

Suurena tai pienennä vastusta säätämällä vesitasoa.

- Vettä lisäämällä vastus suurenee.
- Vettä vähentämällä vastus pienenee.

Vesisäiliössä oleva asteikko auttaa sinua löytämään ja asettamaan hyvän vastuksen.



Max. fill	6	±	12.8 ltr
5		±	11.9 ltr
4		±	11.1 ltr
3		±	10.5 ltr
2		±	9.5 ltr
Min. fill	1	±	8.5 ltr

## Vesi vaihtaa väriään tai muuttuu sameaksi

### Mahdollinen syy:

Soutulaite on suorassa auringonvalossa, tai sille ei ole tehty vedenkäsittelyä.

### Ratkaisu:

- Siirrä soutu-laite toiseen paikkaan, jotta se altistuu vähemmän suoralle auringonvalolle.
- Tee vedenkäsittely tai vaihda säiliön vesi tämän käyttöohjeen vedenkäsittelyosion ohjeiden mukaisesti.

## Soutaminen

	<b>Aloitusasento</b> Istu etunojassa selkä ja kädet suorina
	<b>Liike</b> Työnnä jaloilla itseäsi taaksepäin. Pidä kädet suorina..
	<b>Vedon viimeistely</b> Jatka liikettä niin, että koukistetut käsivartesi ohittavat lantionseudun.
	<b>Loppuasento</b> Taivu ylävartalostasi eteenpäin, lantiosi ylle.
	<b>Uusi liike</b> Pala aloitusasentoon ja toista.

### Liikkeen aloitus

Tartu soutu-kapulaan ja aloita liike hieman etunojassa, polvet koukussa ja käsivarret suorina. Työnnä jaloilla voimakkaasti taaksepäin suoristaen samalla selkäsi ja polvet.

### Vetoliike

Jatka liikettä kevyeen takanojaan. Koukista samalla käsivarsia niin, että käsivarret ohittavat lantiosi.

### Paluu alkuasentoon

Palaa takaisin alkuasentoon ja toista liike.

### VAROITUS

- Ennen harjoittelun aloittamista käy varmistuttamassa terveydentilasi lääkärillä.
- Jos harjoittelun aikana tunnet pahoinvointia, huimausta tai muita epänormaaleja oireita, keskeytä harjoittelu välittömästi.

## Ohjauspaneeli (kuva. F-1)

### HUOMAUTUS

- Pidä ohjauspaneeli pois suorasta auringonvalosta.
- Kuivaa ohjauspaneelin pinta, jos siihen on tippunut hikeä.
- Älä nojaa ohjauspaneeliin.
- Kosketa näyttöä vain sormenpäälläsi. Älä kosketa näyttöä kynsilläsi tai terävillä esineillä.

### ILMOITUS

- Ohjauspaneeli siirtyy valmiustilaan, kun laitetta ei ole käytetty 4 minuuttiin.

## Näytön toimintojen selitykset

### Aika

- Jos tavoitearvoa ei ole määritetty, ajan arvo kasvaa.
- Kun määritetään tavoitearvo, aika alkaa harjoitusaikatavoitteesta ja etenee nolnaan, minkä jälkeen kuuluu tai näkyy hälytys. (Näytössä näkyy "jäljellä oleva aika")
- Ellei monitorille lähetetä mitään signaalia 4 sekuntiin harjoituksen aikana, harjoitusajan mittaus pysähtyy
- Alue: 0:00~99:59 / ± 1:00

### Harjoitusaika / 500 m

Tarkoittaa aikaa, joka tarvitaan tämänhetkellä soutu-teholla harjoitukseen, kun harjoitusmatka on 500 metriä.

Keskim. aika / 500 m Kun harjoittelu pysäytetään, näytössä näkyy viimeisimmän harjoituksen keskimääräinen aika 500 metrin matkalla.

### Matka

- Jos tavoitearvoa ei ole määritetty, harjoitusmatkan arvo kasvaa.
- Kun määritetään tavoitearvo, harjoitusmatkan arvo etenee tavoitematkasta nolnaan, minkä jälkeen kuuluu tai näkyy hälytys. (Näytössä näkyy "jäljellä oleva matka")
- Alue: 0~99900 / ± 100 (m)

### Kalorit

- Jos tavoitearvoa ei ole määritetty, kalorimäärä kasvaa.
- Kun määritetään tavoitearvo, kalorimäärän arvo etenee tavoitearvosta nolnaan, minkä jälkeen kuuluu tai näkyy hälytys. (Näytössä näkyvät "jäljellä olevat kalorit")
- Alue: 0~9990.

### HUOM

- Nämä tiedot muodostavat suurpiirteisen oppaan eri harjoitusjaksojen vertailuun. Niitä ei voi käyttää lääketieteellisessä hoidossa.

### Pulssi

- Tämänhetkinen pulssi näkyy kuuden sekunnin kuluttua siitä, kun konsoli on havainnut sen.
- Pulssiarvo vilkkuu, kun syke on tavoitteessa (tavoite = ennalta määritetty arvo + 5)
- Keskim. pulssi: Kun harjoittelu pysäytetään, näytössä näkyy viimeisimmän harjoituksen keskimääräinen pulssi.

## Vedot

- Jos tavoitearvoa ei ole määritetty, vetomäärä kasvaa.
- Kun määritetään tavoitearvo, vetomäärän arvo etenee tavoitearvosta noltaan, minkä jälkeen kuuluu tai näkyy hälytys. (Näytössä näkyvät ”jäljellä olevat vedot”)
- Alue 0~9990 / ± 10

## Vedot yhteensä

näyttää kaikkien harjoitusten yhteenlasketun vetomäärän. Tätä arvoa ei voi nollata muuten kuin vaihtamalla paristot.

## SPM

- SPM tarkoittaa vetoja minuutissa (Strokes per Minute), ja tässä kohdassa näkyy keskimääräinen vetomäärä minuutissa harjoituksen aikana.
- ”Harjoitustilassa” tämä voidaan asettaa tavoitteeksi alueella 20~80.
- Keskim. SPM: Kun harjoittelu pysäytetään, näytössä näkyy viimeisimmän harjoituksen keskimääräinen SPM-arvo.

## Valmiustila

Valmiustilassa konsolissa näkyvät seuraavat tiedot:

- Todellinen kellonaika (HH:MM)
- Todellinen päivämäärä (VVVV/KK/PP)
- Ympäristön lämpötila (°Celsius)

Aseta oikeat kellonaika-/päivämääräasetukset seuraavasti:

- Siirry kellonajan/päivämäärän ohjelmointitilaan painamalla Reset-painiketta yhtäjaksoisesti kolmen sekunnin ajan.
- Säädä kellonajan/päivämäärän parametreja ylös- ja alas-painikkeilla, ja vahvista asetukset painamalla Enter-painiketta.

## Hälytystoiminto

Kun kellonajan/päivämäärän parametrit on asetettu oikein, voit asettaa myös hälytyksen.

(Hälytys voi kuulua vain valmiustilassa.)

- Aseta hälytys päälle- tai pois-tilaan ylös- ja alas-painikkeilla, ja vahvista painamalla Enter-painiketta.
- Jos hälytys on asetettu päälle-tilaan (näytössä on kello), tuntilukemat vilkkuvat. Aseta hälytyksen haluttu tunti ylös- ja alas-painikkeilla, ja vahvista painamalla Enter-painiketta.
- Tee sama minuuteille, ja vahvista painamalla Enter-painiketta.
- Hälytys on asetettu, ja se aktivoidaan (vain jos konsoli on valmiustilassa).

## Painikkeiden selitykset

### Ylös

- Valinnan määrittäminen.
- Suurena arvoa.

### Alas

- Valinnan määrittäminen.
- Pienennä arvoa.

### Enter

- Vahvista asetukset. (ohjelmointitilassa)
- Selaa parametreja. (harjoittelutilassa)

### Start/Stop

- Käynnistä harjoitus. (ohjelmointitilassa)
- Pysäytä (keskeytä) harjoitus. (harjoittelutilassa)
- Jatka harjoittelua. (pysäytystilassa)

### Reset

- Asetustilassa voit nollata nykyisen toiminnon luvut painamalla kerran RESET-painiketta.
- Nollaa kaikki toimintoluvut ja käynnistä konsoli uudelleen

painamalla RESET-painiketta yhtäjaksoisesti kahden sekunnin ajan.

## Recovery

- RECOVERY-painike on käytössä vain, jos pulssi havaitaan.
- AIKA on aluksi ”0:60” (sekuntia) ja etenee noltaan.
- Tietokoneessa näkyy F1–F6 taaksepäin laskemisen jälkeen sykkeen palautumistilan testaamiseksi. Käyttäjä voi katsoa sykkeen palautumistilan alla olevasta taulukosta.
- Palaa alkuun painamalla RETURN-painiketta uudelleen.

F1	Loistava
F2	Erinomainen
F3	Hyvä
F4	Kohtalainen
F5	Alle keskiarvon
F6	Huono

## TToiminto

### Laitteen kytkeminen päälle

- Kytke lepotilassa oleva konsoli päälle painamalla mitä tahansa painiketta.
- Kytke lepotilassa oleva konsoli päälle aloittamalla harjoitus.

### Laitteen kytkeminen pois päältä

Jos monitorille ei lähetetä mitään signaalia neljään minuuttiin, se siirtyy automaattisesti LEPOTILAAN. (Käynnissä olevan harjoituksen tiedot menetetään.)

### ⚠ VAROITUS

- Suosittelemme paristojen poistamista, jos laite on pitkään käyttämättä.

## Ohjelmat

### Manuaalinen tila

- Valitse ”Manuaalinen”, ja vahvista painamalla Enter-painiketta.
- Aseta harjoitustavoitteesi ”harjoitusajalle, matkalle, vedoille, kaloreille ja pulssille” ylös- ja alas-painikkeilla, ja vahvista Enter-painikkeilla.
- Paina Start/Stop-painiketta aloittaaksesi harjoituksen määrittämisen.

### ⚠ HUOM

- Voit asettaa vain yhden tavoitteen. Tavoitteet, joita ei ole asetettu, tulee vahvistaa ”0”-tavoitteina.
- Pulssi ei ole harjoituksen päättymisen tavoite, vaan se asetetaan vain varoituksiksi.
- Kun tavoite on asetettu, harjoitus päättyy, kun tavoite on saavutettu.
- Jos tavoitetta ei ole asetettu, harjoitus jatkuu, kunnes käyttäjä lopettaa harjoittelun.

### Kilpailutila

- Valitse ”kilpailutila” painamalla Mode-painiketta, ja vahvista painamalla Enter-painiketta.
- Näyttöön tulee L9. Aseta haluttu ”kilpailutilan” taso ylös- ja alas-painikkeilla, ja vahvista painamalla Enter-painiketta. Näytössä näkyvä ”harjoitus aika / 500” on tietokoneen aika, joka sinun on voitettava.

Tila	Harjoitusaika/ 500
L1	8:00 min
L2	7:30 min
L3	7:00 min
L4	6:30 min
L5	6:00 min
L6	5:30 min
L7	5:00 min
L8	4:30 min
L9	4:00 min
L10	3:30 min
L11	3:00 min
L12	2:30 min
L13	2:00 min
L14	1:30 min
L15	1:00 min

- Aseta haluttu harjoitusmatka ( $\pm$  500 m), ja vahvista painamalla Enter-painiketta.
- Paina Start/Stop-painiketta aloittaaksesi kolmen sekunnin lähtölaskennan ennen harjoituksen aloittamista.

### HUOM

- Harjoitus päättyy, kun joko tietokone (PC) on päässyt loppuun tai sinä (User, käyttäjä) olet päässyt loppuun.
- Konsolin näyttöön tulee viesti "User win" (käyttäjä voitti) tai "PC win" (tietokone voitti) riippuen siitä, pääsetkö sinä vai pääseekö tietokone ensin loppuun, ja harjoitus päättyy.

## Puhdistus ja huolto

Laitte ei vaadi erityishuoltoa. Laitte ei vaadi uudelleenkalibrointia kokoonpanon, käytön ja ohjeiden mukaan suoritetun huollon jälkeen.

### VAROITUS

- Älä käytä liuottimia laitteen puhdistukseen.
- Puhdista laite pehmeällä, imukykyisellä kankaalla jokaisen käytön jälkeen.
- Tarkista säännöllisesti kaikkien ruuvien ja mutterien olevan tiukasti kiinni.
- Voitele nivelet tarvittaessa.

## Vesi vaihtaa väriään tai muuttuu sameaksi

### Mahdollinen syy:

Soutulaite on suorassa auringonvalossa, tai sille ei ole tehty vedenkäsittelyä.

### Ratkaisu:

- Siirrä soutulaite toiseen paikkaan, jotta se altistuu vähemmän suoralle auringonvalolle.
- Tee vedenkäsittely tai vaihda säiliön vesi tämän käyttöohjeen vedenkäsittelyosion ohjeiden mukaisesti.

## Paristojen vaihto kuva F-2)

Ohjauspaneeli on varustettu 2:llä AA-paristolla ohjauspaneelin takaosassa.

- Poista kansi.
- Poista vanhat paristot.
- Laita uudet paristot paikalleen. Varmista paristojen olevan asennettu (+) ja (-) napaisuusmerkintöjen mukaisesti.
- Asenna kansi paikalleen.

## Viat ja häiriöt

Huolimatta jatkuvasti laadunvarmistuksesta laitteessa voi tapahtua yksittäisen osan aiheuttamia vikoja ja häiriöitä. Useimmissa tapauksissa viallisen osan vaihtaminen on riittävää

- Jos laite ei toimi normaalisti, ota välittömästi yhteys jälleenmyyjään.
- Anna jälleenmyyjälle laitteen malli- ja sarjanumero. Kerro ongelman luonne, käyttöolosuhteet ja ostopäivä.

### Vianmääritys:

- Nestekidenäytön himmeys on osoitus siitä, että paristot pitää vaihtaa.
- Jos konsoli ei vastaanota signaalia polkemisen aikana, tarkista että johto on liitetty kunnolla.

### HUOM

- Kun keskeytät harjoittelun 4 minuutiksi, päänäyttö kytkeytyy pois päältä.
- Jos tietojen esitys näytössä on epätavallista, asenna paristot uudestaan ja katso onko ongelma poistunut.

## Kuljetus ja säilytys

### VAROITUS

- Irrota adapteri ennen kuljetusta ja varastointia.
- Vähintään kahden henkilön on kannettava ja siirrettävä laitetta.
- Seisokaa laitteen edessä sen kummallakin puolella ja tarttukaa tiukasti kiinni käsitangoista. Nostakaa laitetta siten, että laitteen takapää on pyöriällä. Siirtäkää laite ja laskekaa se varovasti alas. Asettakaa laite suojajalustalle lattiapinnan vaurioiden estämiseksi.
- Siirrä laitetta varovasti epätasaisilla pinnoilla. Älä siirrä laitetta yläkertaan pyöriä käyttäen. Suorita siirto kahvatuista kantaen.
- Säilytä laitetta kuivassa, mahdollisimman tasalämpötilaisessa paikassa.

## Lisätietoa laitteen omistajalle

### Pakkauksen hävittäminen

Lainsäädäntö ohjeistaa meitä vähentämään kaatopaikoille toimitetun jätteen määrää. Sen vuoksi pyydämme sinua toimittamaan kaikki pakkausjätteet sitä varten tarkoitettuun kierrätyspisteeseen.

### Laitteen hävittäminen käyttöiän päätyttyä

Me Tunturilla toivomme, että iloitset kuntolaitteestasi vuosia. Jokainen kuntolaite tulee kuitenkin aikanaan oman käyttöikänsä loppuun. Kotitalouksien sähkö- ja elektroniikkalaiteromua käsittelevien eurooppalaisten määräysten (WEEE) mukaan sinun kuuluu toimittaa kuntolaitteesi sitä varten tarkoitettuun keräyspaikkaan.

## Tekniset tiedot

Parametri	Mittayksikkö	Arvo
Telemetrinen sykevastaanotin	käden yhteys 5.3~ 5.4 Khz. Bluetooth (BLE) ANT+	<input checked="" type="checkbox"/> <input checked="" type="checkbox"/> <input checked="" type="checkbox"/> <input checked="" type="checkbox"/>
Pituus	cm inch	211,0 83,1
Leveys	cm inch	56,0 22,0
Korkeus	cm inch	107,0 42,1
Paino	kg lbs	39,5 87,1
Suurin sallittu käyttäjän paino	kg lbs	150 330
Paristokoko	2x	AA

## Takuu

### Tunturi-kuntolaitteen omistajan takuu

#### Takuuehdot

Kuluttajalla on sovellettavan kulutustavaroiden kauppaa koskevan kansallisen lainsäädännön mukaiset lailliset oikeudet, eikä takuulla rajoiteta näitä oikeuksia. Omistajan Takuu on voimassa vain, mikäli laitetta käytetään Tunturi New Fitness BV:n kyseiselle laitteelle sallimassa käyttöympäristössä. Kunkin laitteen sallittu käyttöympäristö mainitaan laitteen käyttöohjeessa.

#### Takuuehdot

Takuuehdot tulevat voimaan tuotteen ostopäivästä lukien. Takuuehdot voivat olla erilaiset eri maissa, joten pyydä takuuehdot paikalliselta jälleenmyyjältä.

#### Takuun kattavuus

Missään olosuhteissa Tunturi New Fitness BV tai Tunturi-jälleenmyyjä ei vastaa ostajalle mahdollisesti aiheutuviesta välillisistä vahingoista, kuten käyttöhyödyn tai tulojen menetyksestä taikka muista taloudellisista seurausvahingoista.

#### Takuun rajoitukset

Takuu kattaa työstä ja materiaalista johtuvat virheet kuntolaitteessa, joka on alkuperäisessä kokoonpanossaan. Takuu koskee vain virheitä, jotka ilmenevät normaalissa ja laitteen mukana tulleen ohjekirjan mukaisessa käytössä edellyttäen, että Tunturin asennus-, huolto- ja käyttöohjeita on noudatettu. Tunturi New Fitness BV:n ja Tunturin jälleenmyyjät eivät vastaa virheistä, jotka aiheutuvat heidän vaikutusmahdollisuuksiensa ulkopuolella olevista seikoista. Takuu on voimassa vain niissä maissa, joissa Tunturi New Fitness BV:llä on valtuutettu maahantuoja. Takuu ei koske sellaisia kuntolaitteita tai osia, joita on muutettu ilman Tunturi New Fitness BV:n suostumusta. Takuu ei koske virheitä, jotka johtuvat luonnollisesta kulumisesta, virheellisestä käytöstä, käytöstä olosuhteissa, joihin kuntolaitetta ei ole tarkoitettu, korroosiosta tai lastaus- tai kuljetusvahingoista.

Takuu ei koske käyttöäniä, jotka eivät olennaisesti haittaa laitteen käyttöä eivätkä johdu laitteesta olevasta virheestä.

Takuu ei myöskään sisällä kunnossapitotoimenpiteitä, kuten puhdistusta, voitelua tai sen osien normaalia tarkistamista, eikä sellaisia asennustoimenpiteitä, jotka asiakas voi suorittaa itse ja jotka eivät edellytä erityistä kuntolaitteen purkamista / kokeamista. Tällaisia toimenpiteitä ovat esim. mittareiden, polkimien tai muiden vastaavien yksinkertaisten osien vaihdot. Muun kuin valtuutetun Tunturi-edustajan suorittamia takuukorjauksia ei korvata. Laitteen käyttöohjeen noudattamatta jättäminen aiheuttaa takuun raukeamisen.

## Valmistajan vakuutus

Tunturi New Fitness BV vakuuttaa tuotteen täyttävän seuraavien standardien ja direktiivien vaatimukset: EN 957 (HC), 2014/30/EU. Tässä tuotteessa on sen vuoksi CE-merkki..

07-2020

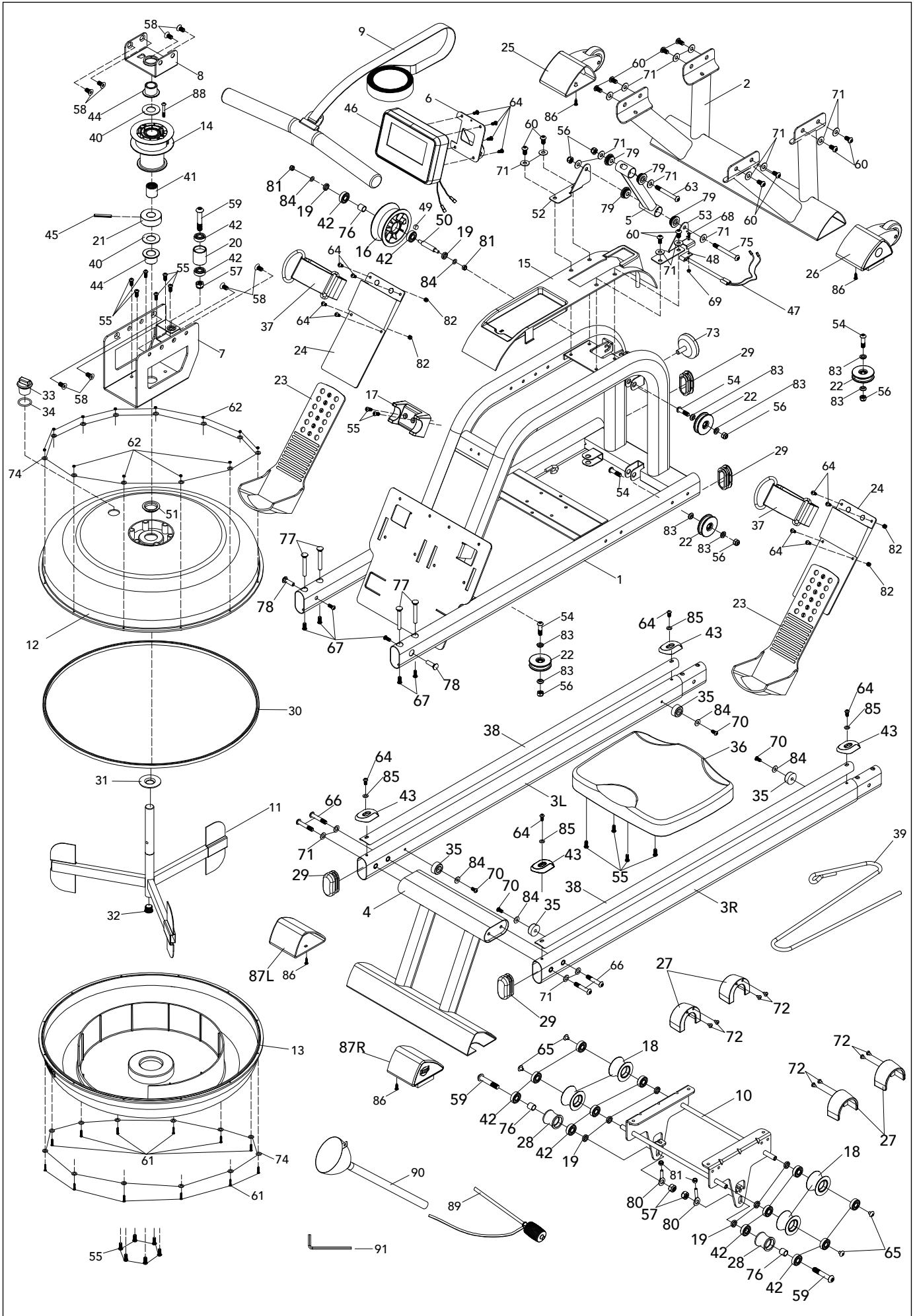
Tunturi New Fitness BV  
Purmerweg 1  
1311 XE Almere  
Alankomaat

## Vastuuvapauslauseke

© 2020 Tunturi New Fitness BV  
Kaikki oikeudet pidätetään.

- Tuote ja käyttöopas saattavat muuttua.
- Teknisiä tietoja saatetaan muuttaa ilman eri ilmoitusta.
- Katso käyttöohjeiden uusien versio verkkosivustoltamme.





NR	Description	Specs	Qty
1	Main frame		1
2	Front stabilizer Compl. Assy	Incl.25, 26, 86	1
3L	Slide rail L Compl. Assy	Incl. 29, 35, 38, 43, ,64 70, 84, 85	1
3R	Slide rail R Compl Assy	Incl. 29, 35, 38, 43, ,64 70, 84, 85	1
4	Rear stabilizer Compl. Assy	Incl. 86, 87L, 87R	1
5	Support for computer		1
6	Support Plate		1
7	Tank plate		1
8	Plate for bushing		1
9	Handlebar incl. strap		1
10	Seat carriage Compl. Assy.	Incl. 10,18,19,27, 28,42,57,59,72,76,80, 81	1
11	Impeller	Incl. 32	1
12&13	Tank Compl. Assy		
12	Upper tank		1
13	Lower tank		1
14	Mesh belt wheel Compl. Assy		1
15	Decorate cover		1
16	Belt wheel compl. Assy.	Incl. 16, 19, 42, 49, 50, 76	1
17	Handlebar seat		1
18	Roller Incl. bearings	Incl. 42	4
19	Spacer For Roller	Ø16*Ø10.2*4	8
20	Guide roller	Ø30.5*Ø20*35	1
21	Magnet Seat	Ø48*Ø20*17	1
22	Bungee pulley Incl. 83	Incl. 83	4
23	Upper Pedal		2
24	Lower Pedal		2
25	Left end cap		1
26	Right end cap		1
27	Decorative Cover For Roller		4
28	Lower Roller For Rail Incl. 42, 76	Ø35*Ø22*32	2
29	Oval end cap		4
30	Rubber sealing ring	Ø500*7*T2.0	1
31	Impeller Shaft Seal	Ø50*Ø19*5	1
32	Round plug		1
33	Fill Plug		1
34	O shape ring		1
35	Limit pad		4
36	Seat		1
37	Pedal strap		2
38	Aluminum Plate		2
39	Bungee cord		1
40	Plastic washer	Ø40*Ø20.5*2.0	2
41	One way bearing	HF2016	1
42	Bearing	6000ZZ	10
43	Aluminum Plate Cover		4
44	Bushing	Ø38.5*Ø27.5*Ø20.2*T22	2
45	Pin	Ø6.0*40	1
46	Console R60W		1
47	Sensor wire		1

NR	Description	Specs	Qty
48	Sensor holder		1
49	Magnet	Ø10*5	1
50	Roller Shaft	Ø10*67*M6	1
51	Sealing Ring For Upper Tank	Ø40*Ø27.4*6.8	1
52	Sensor holder Plate L		1
53	Sensor holder Plate R		1
54	Screw	M8*30	4
55	Screw	M6*15 S4	18
56	Nylon lock nut	M8	6
57	Nylon lock nut	M10	3
58	Screw	M8*15	8
59	Screw	M10*55	3
60	Screw	M8*15	12
61	Screw	M3*20	12
62	Nylon lock nut	M3	12
63	Screw	M8*65	1
64	Screw	M5*15	16
65	Screw	M6*10	4
66	Screw	M8*45	4
67	Screw	M6*15 S5	6
68	Screw	M4*12	1
69	Nylon lock nut	M4	1
70	Crosshead Screw	M6*15	4
71	Flat washer	OD20*ID8.5*1.5	20
72	Screw	4.2*10	8
73	Knob		1
74	Flat washer	M3	24
75	Screw	M8*75	1
76	Bushing for Belt wheel		3
77	Carriage Bolt	Ø 10*57	4
78	Carriage Bolt	Ø 10*27	2
79	Plastic Bushing For Computer Support	Ø25* Ø8.2*10	4
80	adjusting bolt	M6*30	2
81	Nylon nut	M6	4
82	Nylon nut	M5	4
83	Spacer		8
84	Screw	M6	6
85	Screw	M5	4
86	Screw	4.0*16	4
87L	End cap for Rear stabilizer L		1
87R	End cap for Rear stabilizer R		1
88	Screw	M5*35	1
89	Pumping Siphon		1
90	Funnel		1
91	Allen Wrench	5MM	1
	Water purification tablet		4
HK	Hardware kit		1



## **Tunturi New Fitness BV**

Purmerweg 1 NL - 1311 XE Almere  
P.O. Box 60001 NL - 1320 AA Almere  
The Netherlands

[www.tunturi.com](http://www.tunturi.com)

